

OPTION		WITH CPA	WITHOUT CPA
DELPHI	PART NUMBER	35023342	35032599
	PART REVISION	01	01

SYMBOL DEFINITION

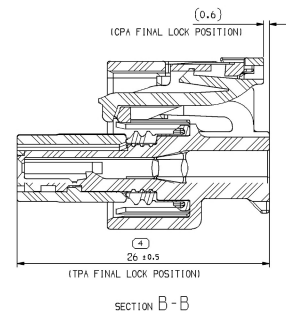
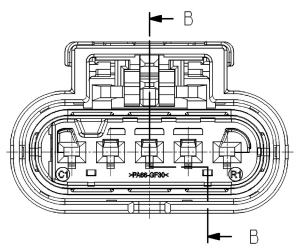
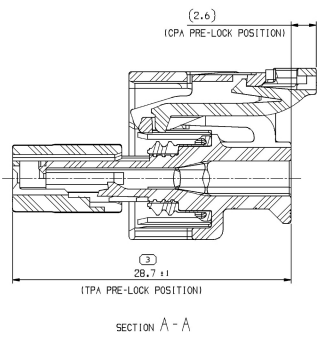
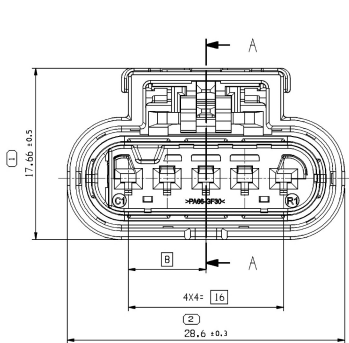
A DIMENSION WITHOUT AN INSPECTION REPORT SYMBOL DOES NOT REQUIRE INSPECTION. IT MAY BE CONTROLLED ON THE INDIVIDUAL COMPONENT DRAWING.

TOTAL NO. OF INSPECTIONS REQUIRED: 4

LAST NO. USED: 4

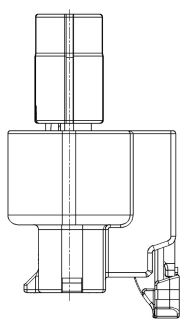
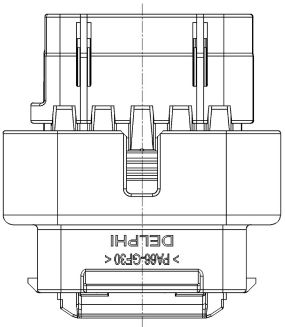
EXPLODED VIEW SCALE 2:1

MISSING SYMBOLS		DATE		STB	REV	N/P	CHK	ZONE	REVISION HISTORY		INITIAL RELEASE
NO MISSING SYMBOL NUMBER		03	AP17	R	01	-	-	-			



C.P.A. & T.P.A. IN PRE LOCK POSITION

C.P.A. & T.P.A. IN FINAL LOCK POSITION



4	I	FEMALE CPA	P466 GF35%	GRAY	33219398	OPTIONAL
3	I	INTERFACE SEAL	SILICONE RUBBER	RED	33272062	
2	I	TPA CODE A	P466 GF30%	ROYAL BLUE	33272057	
1	I	FEMALE HOUSING	P466 GF30%	BLACK	35023355	
REP	QTY	DESCRIPTION	MATERIAL	COLOR	DELPHI P/N	REMARK

TYPE	PART NUMBER	MVL PART NUMBER	CABLE SEAL		MATERIAL	COLOR
			WIRE SIZE (mm <sup>2</sup> )	INSULATION(Ø)		
LONG	33513680	F310400	0.3 ~ 0.35	1.2 ~ 1.5	SILICONE RUBBER	RED
	33268526	-	0.3 ~ 0.35	1.2 ~ 1.5	FLUORO SILICONE	BL
	33511838	F410400	0.5 ~ 0.85	1.6 ~ 1.9	GR	GR
	33513681	F599700	1.0 ~ 1.5	2.0 ~ 2.4	YEL	YEL
	33318273	-	0.3 ~ 0.35	1.2 ~ 1.6	BL	BL
DUMMY SEAL	33318274	-	0.5 ~ 0.85	1.6 ~ 1.9	GR	GR
	33402443	-	-	-	SILICONE RUBBER	WH
SHORT	35020635	-	-	-	DARK	DARK
	33318278	-	0.3 ~ 0.35	1.2 ~ 1.6	GR	GR
	33318279	-	0.5 ~ 0.85	1.6 ~ 1.9	LIGHT	LIGHT
	33318275	-	1.0 ~ 1.5	1.9 ~ 2.4	BL	BL
	33366680	-	0.3 ~ 0.35	1.2 ~ 1.6	FLUORO SILICONE	GR
	33366681	-	0.5 ~ 0.85	1.6 ~ 1.9	GR	GR
33366679	-	1.0 ~ 1.5	1.9 ~ 2.4	BR	BR	

ASSEMBLY	CODING TYPE	HOUSING	P/N/O	TPA	COLOR	INTERFACE SEAL	CPA (OPTIONAL)
35023342	A	35023355	33272057	ROYAL BLUE	33272062	33272062	33219398
35023343	B		33272058	BROWN			
35023344	C		33272059	LIGHT GRAY			
35023345	D		33272060	RED			
35032599	A		33272057	ROYAL BLUE			
35032600	B		33272058	BROWN			
35032601	C		33272059	LIGHT GRAY			
35032602	D		33272060	RED			

FEMALE TERMINAL	PART NUMBER	WIRE SIZE (mm <sup>2</sup> )	TYP (AWG)	CRIMP SPECIFICATIONS (FOR REFERENCE ONLY)					
				CONDUCTOR			INSULATION		
				C.W	C.H	CRIMP STYLE	C.W	C.H	CRIMP STYLE
TIN	54001864	0.75 ~ 1.25	16	2.45	1.15	"B"	3.35	3.40	"0"
	54002006	0.3 ~ 0.5	18	2.05	1.20	"B"	3.35	3.10	"0"
SILVER STRIPE, SPOT	F731400	0.75 ~ 1.25	20	1.65	1.05	"B"	3.00	2.85	"0"
	F931400	0.3 ~ 0.5	22	1.65	0.95	"B"	3.00	2.75	"0"
GOLD STRIPE, SPOT	54001863	0.75 ~ 1.25	16	2.45	1.15	"B"	3.35	3.40	"0"
	54002005	0.3 ~ 0.5	18	2.05	1.20	"B"	3.35	3.10	"0"
TIN SILVER	54001866	0.75 ~ 1.25	20	1.65	1.05	"B"	3.00	2.85	"0"
	54002007	0.3 ~ 0.5	22	1.65	0.95	"B"	3.00	2.75	"0"

- NOTES:
- TOLERANCE MUST MEET DIN ISO 2768(M)
  - TEST SPECIFICATION PER : HKMC E91500-00
  - ALLOWED WIRE RANGE : 0.3mm<sup>2</sup> TO 1.25mm<sup>2</sup> (UHSO WIRE)
  - APPLICABLE TERMINAL : APEX1.2 FEMALE TERMINAL

Tolerance Class medium (a)

Permissible deviations for basic size range (mm)

0.5 +1 up to 3	over 3 up to 6	over 6 up to 10	over 10 up to 30	over 30 up to 100	over 100 up to 400	over 400 up to 1000	over 1000 up to 2000
±0.1	±0.1	±0.2	±0.3	±0.5	±0.8	±1.2	

Permissible deviations for basic size range (mm)

0.5 +1 up to 3	over 3 up to 6	over 6
±0.2	±0.5	±1

Permissible deviations for ranges of lengths, in mm, of the shorter side of the angle concerned

up to 10	over 10 up to 50	over 50 up to 120	over 120 up to 400	over 400
±1°	±0° 30'	±0° 20'	±0° 10'	±0° 5'

For angles below 0.5mm, the deviations shall be indicated adjacent to the relevant nominal sizes (a).

PROCESS SENSITIVE DIMENSION

ALL DIMENSIONS ARE IN MILLIMETERS

THIRD ANGLE PROJECTION

DO NOT SCALE

USE MATH DATA

UNLESS OTHERWISE SPECIFIED THIS DOCUMENT IS IN ACCORDANCE WITH THE ISO 9000:1994 STANDARD IN WHOLE OR IN PART. SPECIAL OPTIONS OR FEATURES MAY BE SHOWN SEPARATELY PER PURPOSES OF DATA REDUCTION.

DELPHI PACKAGED ELECTRICAL/ELECTRONIC COMPONENTS ARE NOT AVAILABLE FOR ORDERING.

PART NUMBERS THAT DO NOT HAVE A LINE PRESENT INDICATE THAT PHYSICAL PARTS ARE AVAILABLE FOR ORDERING.

CONTACT DELPHI SALES TO ASSURE AVAILABILITY OF PARTS.

THIS DRAWING IS THE PROPERTY OF DELPHI. IT IS TO BE USED ONLY FOR THE APPROVED APPLICATION AND THE USE OF THIS PRODUCT IN ITS ENTIRETY OR AS RELATED COMPONENTS OF ANY OTHER APPLICATION IS PROHIBITED.

OR: APEX1 SUNG-YUN-KYU  
APEX2 JUNG-JAE-TUP  
APEX3 PARK-JOO-HYUN  
APEX4

SUBSTANCES OF CONCERN AND RISK CONTENT PER DELPHI 10244

SEE TABLE

DRAWING NUMBER: APEX1.2 SWAY FEMALE CONNECTOR

35023333

SCALE: 5:1

DATE: 03/17/01

REV: 01