

DESIGNED AND DIMENSIONED IN MILLIMETERS(INCHES)
ALL DIMENSIONS REFERENCE EXCEPT AS SHOWN

DO NOT
SCALE FROM
THIS PRINT

**THIS PRODUCT MANUFACTURED
WITH LEAD-FREE PROCESSING**

RF086-XXXX-XXXX-XXXX

CABLE CALLOUT
-086: TEMP-FLEX 1001935086 CABLE

OVERALL ASSEMBLY LENGTH (OAL)
XXXX (MILLIMETERS)
(0100 MIN)
(SEE NOTE 5)

END 1 CONNECTOR
(SEE TABLE 2, SHT 2)

END 2 CONNECTOR
(SEE TABLE 2, SHT 2)

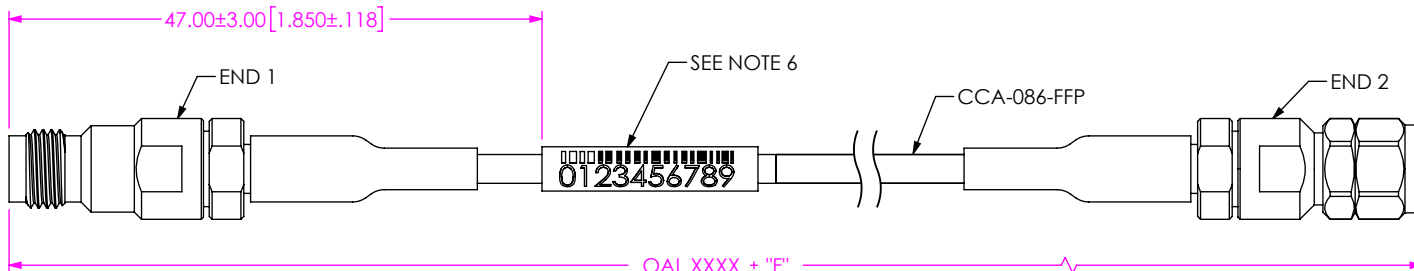


FIG 1
RF086-24SJ-18SP-XXXX SHOWN
(PROTECTIVE CAPS NOT SHOWN FOR CLARITY)

TABLE 1	
OVERALL LENGTH	"F"
0100-0300 [5.98-11.81]	+5.0 [.20] / -0.0 [.00]
0301-1500 [11.85-59.01]	+12.0 [.47] / -0.0 [.00]
1501-3000 [59.09-118.11]	+25.0 [.98] / -0.0 [.00]
3001-7500 [118.15-295.28]	+50.0 [1.97] / -0.0 [.00]
7501-9999 [295.31-393.67]	+1% / -0.0 [.00]

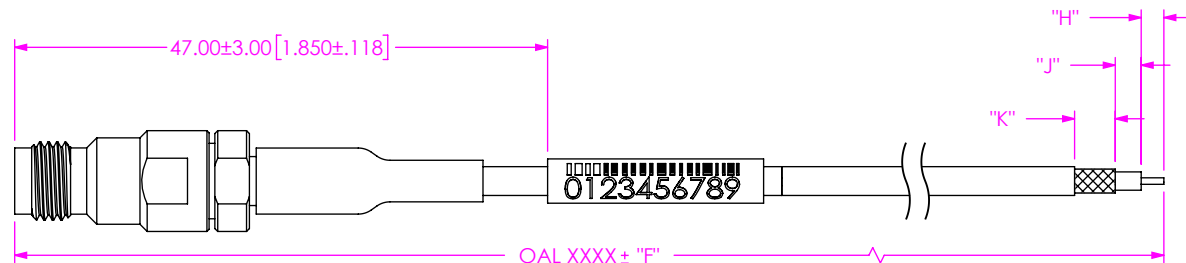


FIG 8
RF086-24SJ-102030-XXXX SHOWN (SEE NOTE 7 & 8)

"K" FORMAT: X.X
"J" FORMAT: X.X
"H" FORMAT: X.X

DO NOT LEAVE ANY SPACE BLANK,
EACH MUST CONTAIN A
NUMERIC CHARACTER 0 THRU 9

NOTES:

- NOTE DELETED.
- NOTE DELETED.
- CONNECTORS TO BE ORIENTED ACCORDING TO CO-RF-WI-3048-M.
- CABLE ASSEMBLY TO HAVE PROTECTIVE CAP ASSEMBLED ON EACH END AND TO BE INDIVIDUALLY PACKAGED IN ESD BAG.
- CABLE LENGTHS LONGER THAN 1000 MILLIMETERS ARE NOT SUPPORTED BY S.I. TEST DATA.
- ASSEMBLY TO BE 100% TESTED FOR RETURN LOSS AND INSERTION LOSS. LABEL EACH INDIVIDUAL CABLE ASSEMBLY WITH 1 LABEL-SER-02. RETURN LOSS SPECIFICATION IS EQUAL TO THE HIGHEST END OPTION LIMIT.
- DIM "H", "J", AND "K" HAVE A MINIMUM VALUE OF 0.0mm & A MAXIMUM VALUE OF 9.9mm[.39"].
- FOR STRIPPED AND TINNED OPTION, BOTH THE CENTER CONDUCTOR IS TINNED.

PROPRIETARY NOTE

THIS DOCUMENT CONTAINS CONFIDENTIAL AND PROPRIETARY INFORMATION AND ALL DESIGN, MANUFACTURING, REPRODUCTION, USE, PATENT RIGHTS AND SALES RIGHTS ARE EXPRESSLY RESERVED BY SAMTEC, INC. THIS DOCUMENT SHALL NOT BE DISCLOSED, IN WHOLE OR PART, TO ANY UNAUTHORIZED PERSON OR ENTITY NOR REPRODUCED, TRANSFERRED OR INCORPORATED IN ANY OTHER PROJECT IN ANY MANNER WITHOUT THE EXPRESS WRITTEN CONSENT OF SAMTEC, INC.

MATERIAL: DO NOT SCALE DRAWING
CENTER CONTACTS: COPPER ALLOY SHEET SCALE: 1.5:1
OUT CONTACTS:
-M0SP/-M0SJ/-01SP/-01BJ/-01SB/-00SJ/-00MJ/-GC86: COPPER ALLOY
-24SP/-24SJ/-18SP/-18SJ/-92SP/-92SJ
-00BC/-00BF/-00BL/-00BS: STAINLESS STEEL
INSULATORS:
-M0SP/-M0SJ/-01SP/-01BJ/-01SB/-00SJ/-00MJ/-00BC/-00BF/-00BL/-00BS: VIRGIN PTFE FLUOROCARBON
-24SP/-24SJ/-18SP/-18SJ/-92SP/-92SJ/-GC86: ULTEM

DESCRIPTION: RF086 CABLE ASSEMBLY
DWG. NO. RF086-XXXX-XXXX-XXXX
BY: SHERRY W 1/15/2019 SHEET 1 OF 10



520 PARK EAST BLVD, NEW ALBANY, IN 47150
PHONE: 812-944-6733 FAX: 812-948-5047
e-Mail info@SAMTEC.com code 55322

TABLE 2

END OPTION	SERIES	GENDER	FINISH			CONNECTOR KIT P/N (PCI P/N)	FIGURE
			CENTER CONTACT	OUTER CONTACT	CABLE BODY		
-24SP	2.40 MM	PLUG	50µ" GOLD	PASSIVATED	PASSIVATED	PRF24-P-C-EP-086-SS (4190)	SHT 3, FIG 2
-24SJ	2.40 MM	JACK	50µ" GOLD	PASSIVATED	PASSIVATED	PRF24-J-C-EP-086-SS (4216)	SHT 3, FIG 3
*-18SP	1.85 MM	PLUG	50µ" GOLD	PASSIVATED	PASSIVATED	PRF18-P-C-EP-086-SS (4192)	SHT 4, FIG 4
-18SJ	1.85 MM	JACK	50µ" GOLD	PASSIVATED	PASSIVATED	PRF18-J-C-EP-086-SS-1	SHT 4, FIG 5
-M0SP	SMPM	PLUG, FULL DETENT	30µ" GOLD	10µ" GOLD	3µ" GOLD	PRFM0-P-C-EE-086-SD (N/A)	SHT 5, FIG 6
-M0SJ	SMPM	JACK	30µ" GOLD	10µ" GOLD	3µ" GOLD	PRFM0-J-C-EE-086-SD (N/A)	SHT 5, FIG 7
-92SP	2.92 MM	PLUG	50µ" GOLD	PASSIVATED	PASSIVATED	PRF92-P-C-EP-086-SS-1-X (N/A)	SHT 6, FIG 9
-92SJ	2.92 MM	JACK	50µ" GOLD	PASSIVATED	PASSIVATED	PRF92-J-C-EP-086-SS-X (N/A)	SHT 6, FIG 10
*-01SP	SMA	PLUG	50µ" GOLD	10µ" GOLD	10µ" GOLD	PRF01-P-C-EG-086-SD (N/A)	SHT 7, FIG 11
*-01BJ	SMA	BULKHEAD JACK	50µ" GOLD	10µ" GOLD	10µ" GOLD	PRF01-J-C-EG-086-BD (N/A)	SHT 7, FIG 12
*-01SB	SMA	SEALED BULKHEAD JACK	50µ" GOLD	10µ" GOLD	10µ" GOLD	PRF01-J-C-EG-086-BD-1 (N/A)	SHT 8, FIG 13
*-00SJ	SMP	JACK	50µ" GOLD	50µ" GOLD	50µ" GOLD	PRF00-J-C-EE-086-SD	SHT 8, FIG 14
*-00MJ	SMP	R/A JACK	50µ" GOLD	50µ" GOLD	50µ" GOLD	PRF00-J-C-EE-086-RD	SHT 9, FIG 15
*-00BC	SMP	BULKHEAD PLUG	50µ" GOLD	10µ" GOLD	10µ" GOLD	PRF00-PC-C-EG-086-BD (N/A)	SHT 10, FIG 17
*-00BF	SMP	BULKHEAD PLUG	50µ" GOLD	10µ" GOLD	10µ" GOLD	PRF00-PF-C-EG-086-BD (N/A)	
*-00BL	SMP	BULKHEAD PLUG	50µ" GOLD	10µ" GOLD	10µ" GOLD	PRF00-PL-C-EG-086-BD (N/A)	
*-00BS	SMP	BULKHEAD PLUG	50µ" GOLD	10µ" GOLD	10µ" GOLD	PRF00-PS-C-EG-086-BD (N/A)	
*-GC86	SMPM	JACK	50µ" GOLD	50µ" GOLD	10µ" GOLD	PRFM0-J-C-EE-086-SD-1	SHT9, FIG 16
**SING	SINGLE ENDED	-	-	-	-	-	-
**XXXXX	STRIPPED & TINNED	-	-	-	-	-	SHT 1, FIG 8

** = END 2 OPTION ONLY
** = NOT RELEASED

TABLE 3

END OPTION	MAXIMUM VSWR	MAXIMUM RETURN LOSS	MAXIMUM INSERTION LOSS (IL)	FREQUENCY	PROTECTIVE CAP COLOR
-24SP	1.40:1	15.56 dB	0.32	DC TO 50 GHz	GREEN
-24SJ	1.40:1	15.56 dB	0.32	DC TO 50 GHz	GREEN
*-18SP	1.40:1	15.56 dB	0.37	DC TO 67 GHz	BLUE
-18SJ	1.40:1	15.56 dB	0.37	DC TO 50 GHz	BLUE
	1.50:1	14.0 dB		50 GHz TO 67 GHz	
-M0SP	1.40:1	15.56 dB	0.32	DC TO 50 GHz	GRAY
	2.00:1	9.54 dB		50 GHz TO 67 GHz	
-M0SJ	1.40:1	15.56 dB	0.32	DC TO 50 GHz	GRAY
	2.00:1	9.54 dB		50 GHz TO 67 GHz	
-92SP	1.40:1	15.56 dB	0.28	DC TO 40 GHz	YELLOW
-92SJ	1.40:1	15.56 dB	0.28	DC TO 40 GHz	YELLOW
*-01SP	1.30:1	17.7 dB	0.23	DC TO 26.5 GHz	BROWN
*-01BJ	1.30:1	17.7 dB	0.23	DC TO 26.5 GHz	BROWN
*-01SB	1.30:1	17.7 dB	0.23	DC TO 26.5 GHz	BROWN
*-00SJ	1.20:1	20.83 dB	0.5	DC TO 26.5 GHz	WHITE
	1.50:1	14.0 dB		26.5 GHz TO 40 GHz	
*-00MJ	1.20:1	20.83 dB	0.5	DC TO 26.5 GHz	WHITE
*-00BC	1.20:1	20.83 dB	0.5	DC TO 26.5 GHz	GRAY
	1.50:1	14.0 dB		26.5 GHz TO 40 GHz	
*-00BF	1.20:1	20.83 dB	0.5	DC TO 26.5 GHz	GRAY
	1.50:1	14.0 dB		26.5 GHz TO 40 GHz	
*-00BL	1.20:1	20.83 dB	0.5	DC TO 26.5 GHz	GRAY
	1.50:1	14.0 dB		26.5 GHz TO 40 GHz	
*-00BS	1.20:1	20.83 dB	0.5	DC TO 26.5 GHz	GRAY
	1.50:1	14.0 dB		26.5 GHz TO 40 GHz	
*-GC86	1.40:1	15.56 dB	0.32	DC TO 50 GHz	N/A
	2.00:1	9.54 dB		50 GHz TO 67 GHz	

IL Max [dB] for cable assembly:
= (20.65*SQRT(Freq[GHz])+0.98*Freq[GHz])*OAL[mm]/30480+End Option IL#1(See Table 3)+End Option IL#2(See Table 3)
* = NOT RELEASED

PROPRIETARY NOTE

THIS DOCUMENT CONTAINS CONFIDENTIAL AND PROPRIETARY INFORMATION AND ALL DESIGN, MANUFACTURING, REPRODUCTION, USE, PATENT RIGHTS AND SALES RIGHTS ARE EXPRESSLY RESERVED BY SAMTEC, INC. THIS DOCUMENT SHALL NOT BE DISCLOSED, IN WHOLE OR PART, TO ANY UNAUTHORIZED PERSON OR ENTITY NOR REPRODUCED, TRANSFERRED OR INCORPORATED IN ANY OTHER PROJECT IN ANY MANNER WITHOUT THE EXPRESS WRITTEN CONSENT OF SAMTEC, INC.



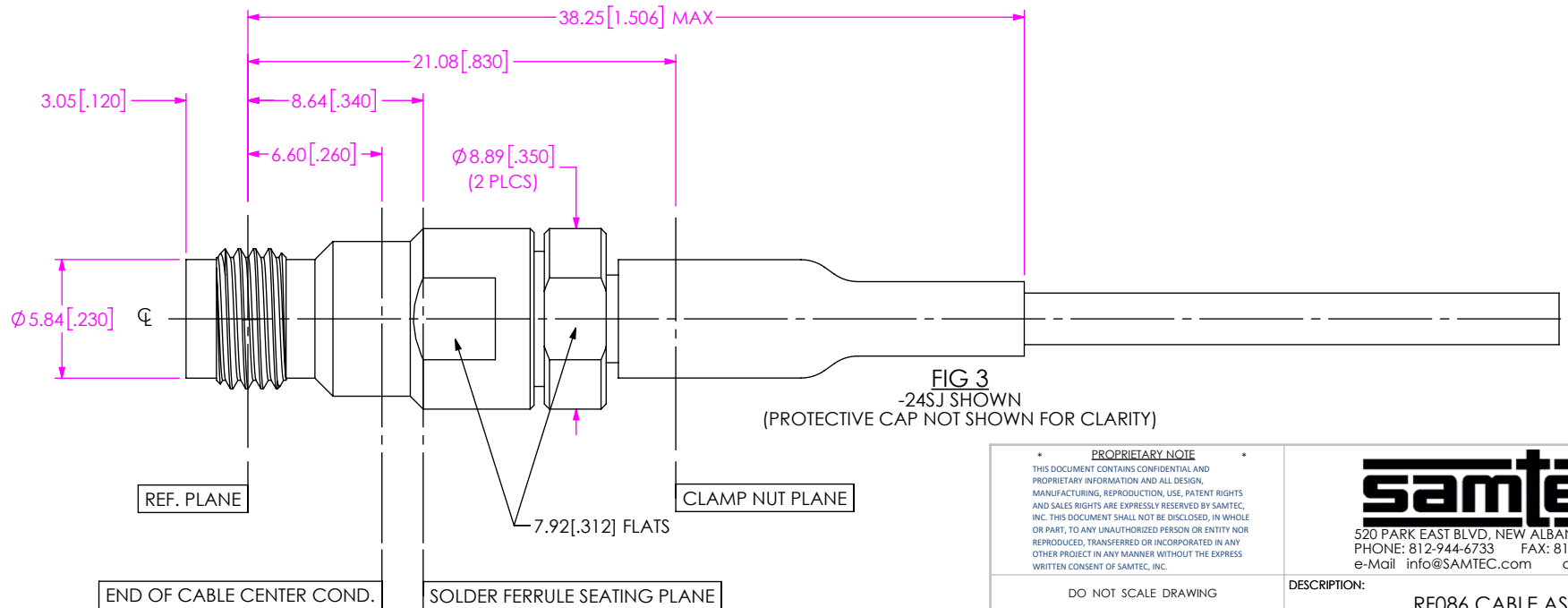
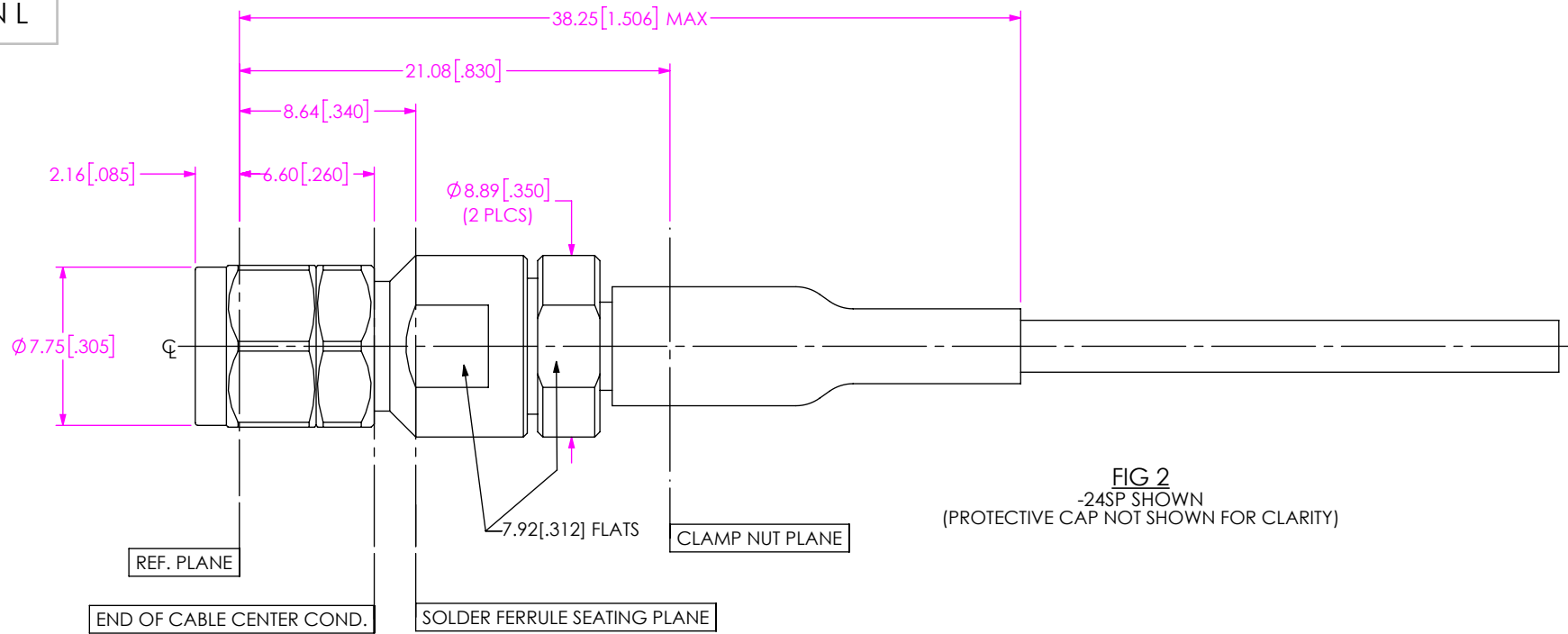
520 PARK EAST BLVD., NEW ALBANY, IN 47150
PHONE: 812-944-6733 FAX: 812-948-5047
e-Mail info@SAMTEC.com code 55322

DO NOT SCALE DRAWING
SHEET SCALE: 3:2

DESCRIPTION: RF086 CABLE ASSEMBLY

DWG. NO. RF086-XXXX-XXXX-XXXX

BY: SHERRY W 1/15/2019 SHEET 2 OF 10



PROPRIETARY NOTE
 THIS DOCUMENT CONTAINS CONFIDENTIAL AND PROPRIETARY INFORMATION AND ALL DESIGN, MANUFACTURING, REPRODUCTION, USE, PATENT RIGHTS AND SALES RIGHTS ARE EXPRESSLY RESERVED BY SAMTEC, INC. THIS DOCUMENT SHALL NOT BE DISCLOSED, IN WHOLE OR PART, TO ANY UNAUTHORIZED PERSON OR ENTITY NOR REPRODUCED, TRANSFERRED OR INCORPORATED IN ANY OTHER PROJECT IN ANY MANNER WITHOUT THE EXPRESS WRITTEN CONSENT OF SAMTEC, INC.

samtec
 520 PARK EAST BLVD., NEW ALBANY, IN 47150
 PHONE: 812-944-6733 FAX: 812-948-5047
 e-Mail info@SAMTEC.com code 55322

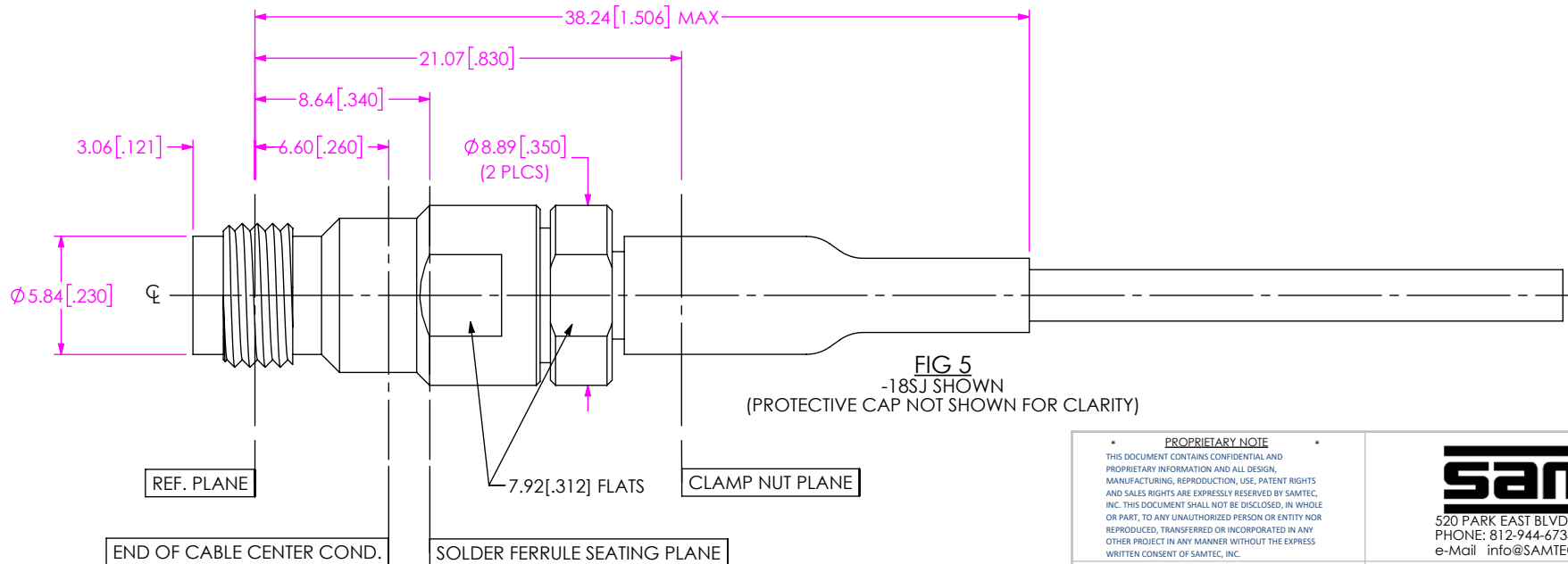
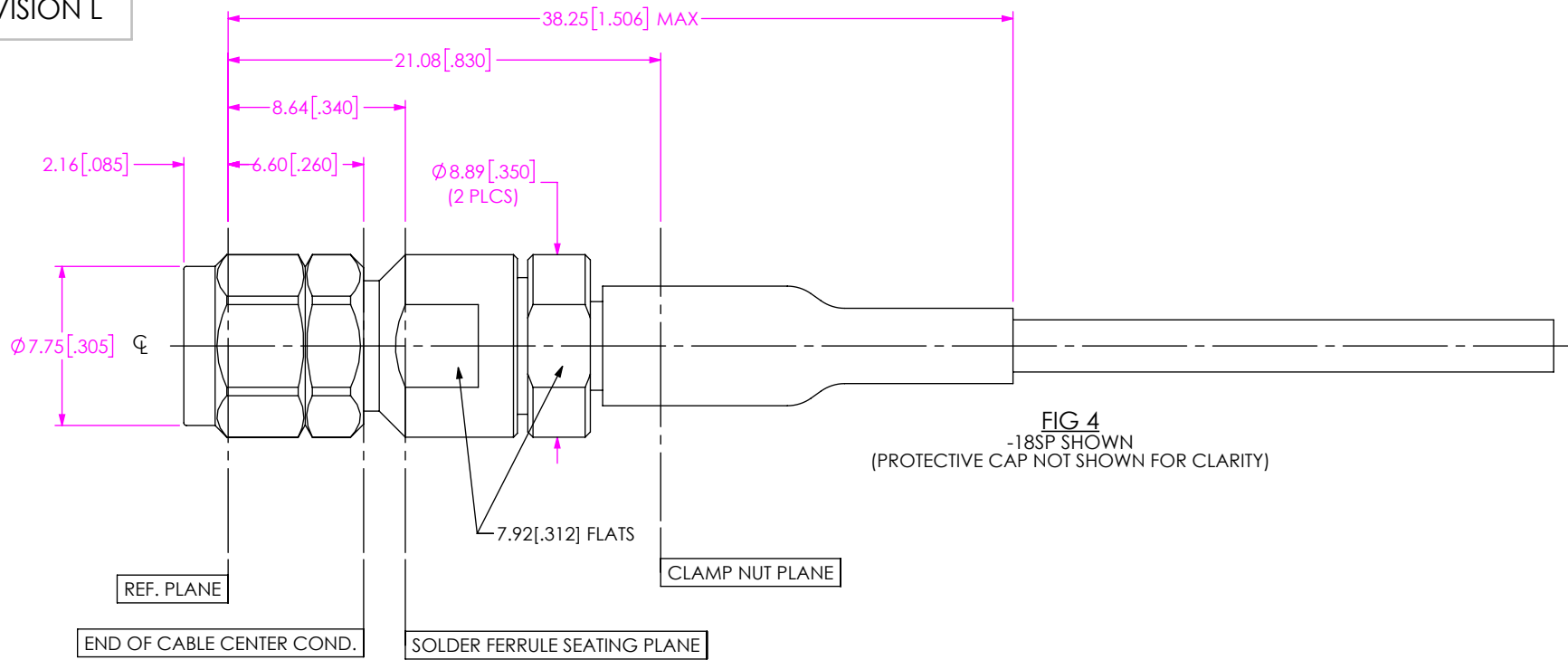
DO NOT SCALE DRAWING

SHEET SCALE: 3:1

DESCRIPTION: RF086 CABLE ASSEMBLY

DWG. NO. RF086-XXXX-XXXX-XXXX

BY: SHERRY W 1/15/2019 SHEET 3 OF 10



PROPRIETARY NOTE
 THIS DOCUMENT CONTAINS CONFIDENTIAL AND PROPRIETARY INFORMATION AND ALL DESIGN, MANUFACTURING, REPRODUCTION, USE, PATENT RIGHTS AND SALES RIGHTS ARE EXPRESSLY RESERVED BY SAMTEC, INC. THIS DOCUMENT SHALL NOT BE DISCLOSED, IN WHOLE OR PART, TO ANY UNAUTHORIZED PERSON OR ENTITY NOR REPRODUCED, TRANSFERRED OR INCORPORATED IN ANY OTHER PROJECT IN ANY MANNER WITHOUT THE EXPRESS WRITTEN CONSENT OF SAMTEC, INC.



520 PARK EAST BLVD., NEW ALBANY, IN 47150
 PHONE: 812-944-6733 FAX: 812-948-5047
 e-Mail info@SAMTEC.com code 55322

DO NOT SCALE DRAWING

SHEET SCALE: 3:1

DESCRIPTION: RF086 CABLE ASSEMBLY

DWG. NO. RF086-XXXX-XXXX-XXXX

BY: SHERRY W 1/15/2019 SHEET 4 OF 10

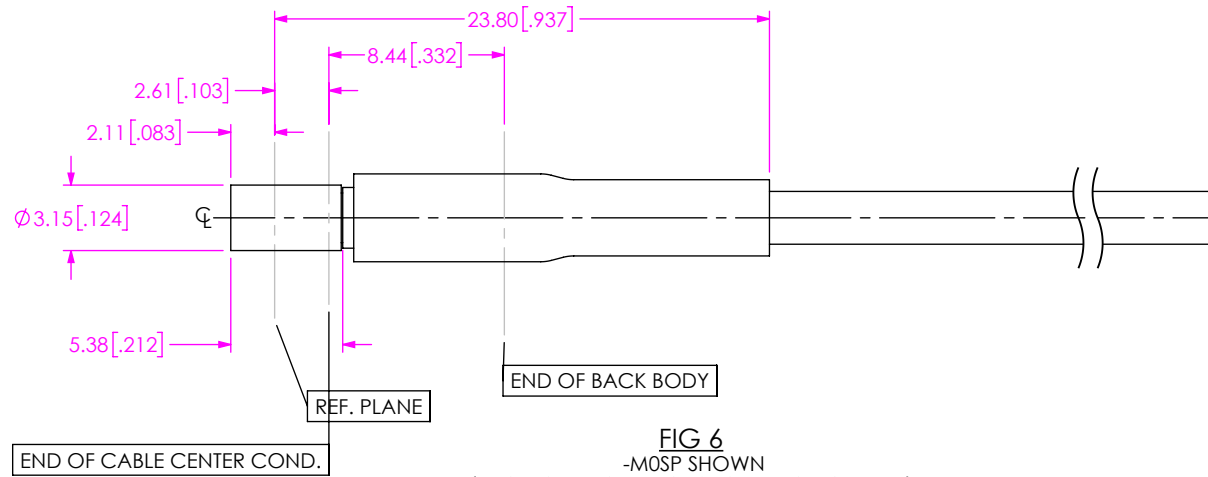


FIG 6
-MOSP SHOWN
(PROTECTIVE CAP NOT SHOWN FOR CLARITY)

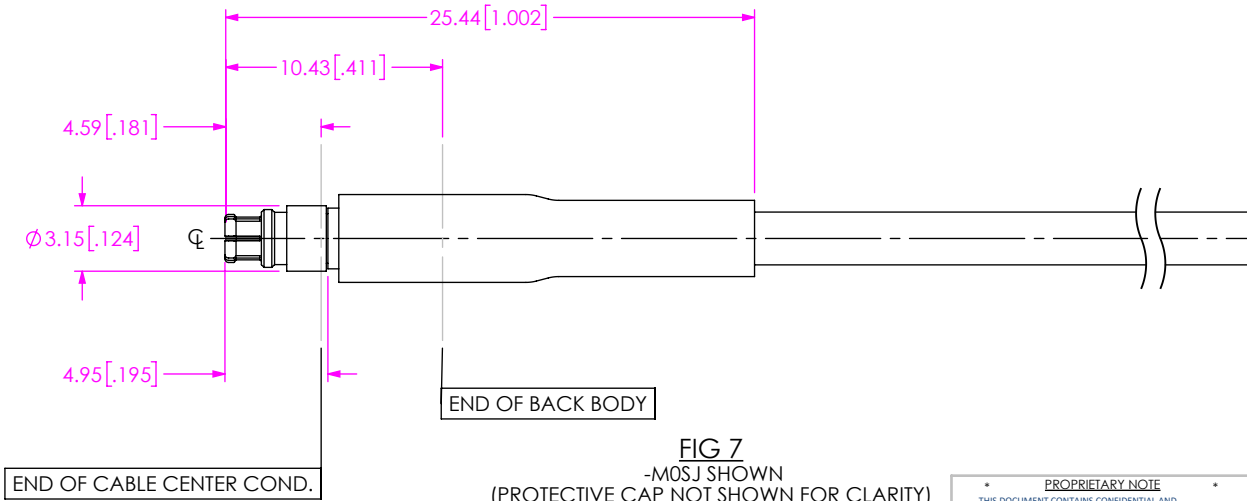


FIG 7
-MOSJ SHOWN
(PROTECTIVE CAP NOT SHOWN FOR CLARITY)

PROPRIETARY NOTE
THIS DOCUMENT CONTAINS CONFIDENTIAL AND PROPRIETARY INFORMATION AND ALL DESIGN, MANUFACTURING, REPRODUCTION, USE, PATENT RIGHTS AND SALES RIGHTS ARE EXPRESSLY RESERVED BY SAMTEC, INC. THIS DOCUMENT SHALL NOT BE DISCLOSED, IN WHOLE OR PART, TO ANY UNAUTHORIZED PERSON OR ENTITY NOR REPRODUCED, TRANSFERRED OR INCORPORATED IN ANY OTHER PROJECT IN ANY MANNER WITHOUT THE EXPRESS WRITTEN CONSENT OF SAMTEC, INC.



520 PARK EAST BLVD., NEW ALBANY, IN 47150
PHONE: 812-944-6733 FAX: 812-948-5047
e-Mail info@SAMTEC.com code 55322

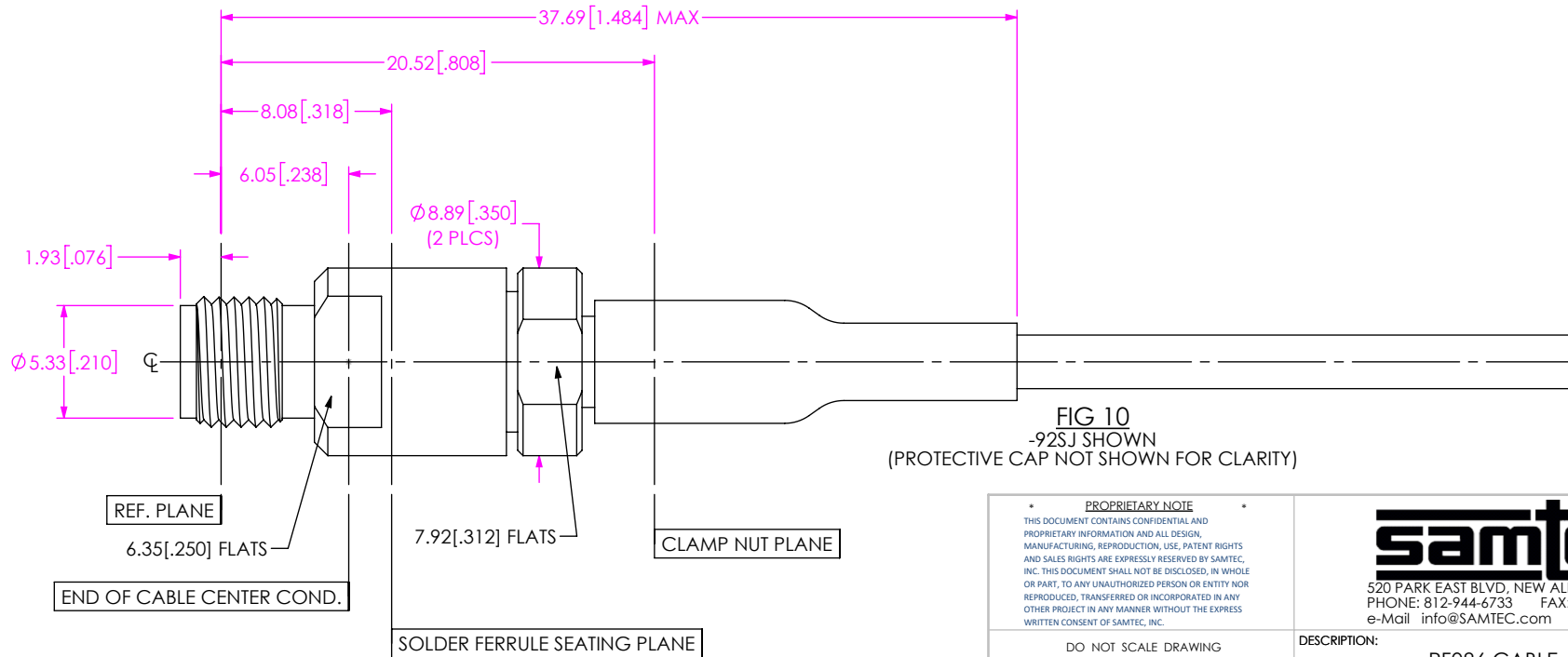
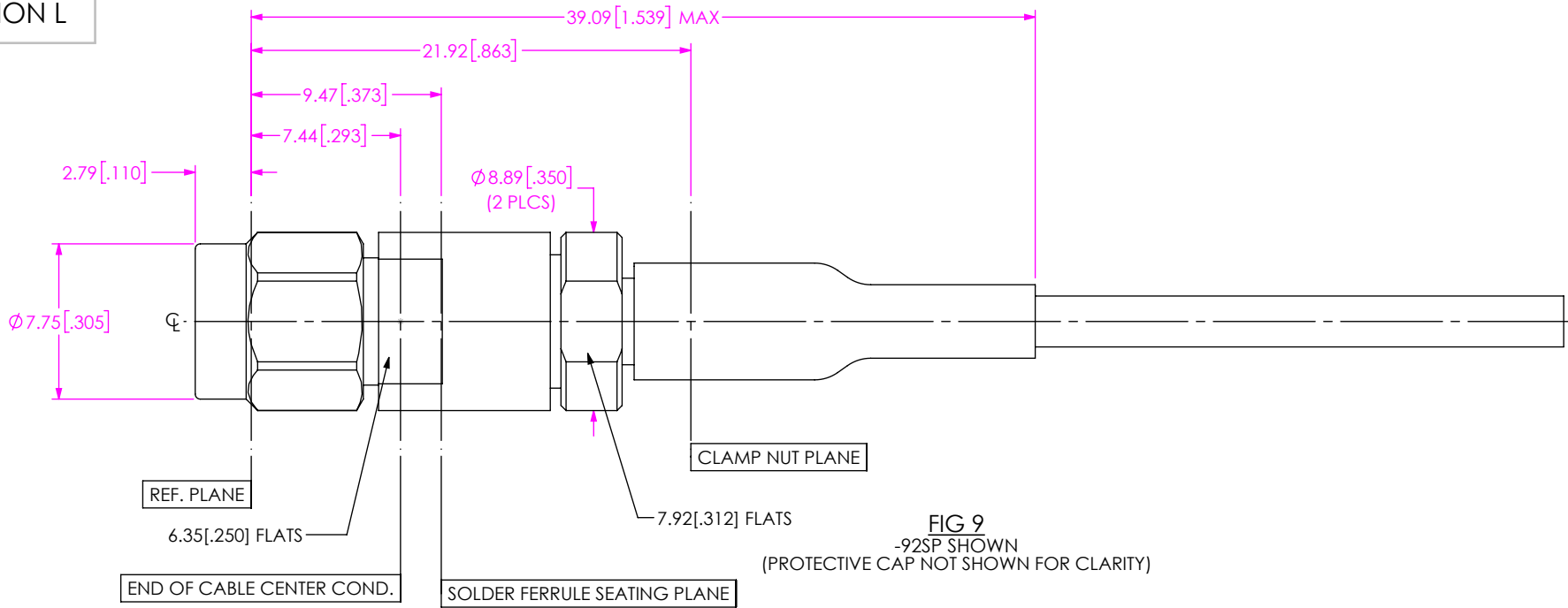
DO NOT SCALE DRAWING

SHEET SCALE: 3:1

DESCRIPTION:
RF086 CABLE ASSEMBLY

DWG. NO.
RF086-XXXX-XXXX-XXXX

BY: SHERRY W 1/15/2019 SHEET 5 OF 10



PROPRIETARY NOTE
 THIS DOCUMENT CONTAINS CONFIDENTIAL AND PROPRIETARY INFORMATION AND ALL DESIGN, MANUFACTURING, REPRODUCTION, USE, PATENT RIGHTS AND SALES RIGHTS ARE EXPRESSLY RESERVED BY SAMTEC, INC. THIS DOCUMENT SHALL NOT BE DISCLOSED, IN WHOLE OR PART, TO ANY UNAUTHORIZED PERSON OR ENTITY NOR REPRODUCED, TRANSFERRED OR INCORPORATED IN ANY OTHER PROJECT IN ANY MANNER WITHOUT THE EXPRESS WRITTEN CONSENT OF SAMTEC, INC.



520 PARK EAST BLVD, NEW ALBANY, IN 47150
 PHONE: 812-944-6733 FAX: 812-948-5047
 e-Mail info@SAMTEC.com code 55322

DO NOT SCALE DRAWING

SHEET SCALE: 3:1

DESCRIPTION: RF086 CABLE ASSEMBLY

DWG. NO. RF086-XXXX-XXXX-XXXX

BY: SHERRY W 1/15/2019 SHEET 6 OF 10

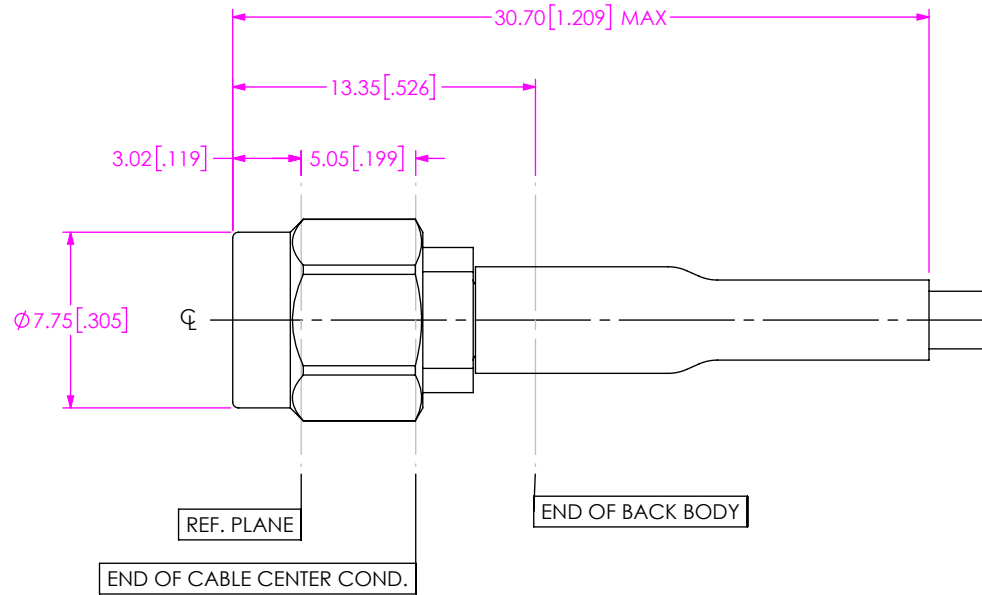


FIG 11
-01SP SHOWN
(PROTECTIVE CAP NOT SHOWN FOR CLARITY)

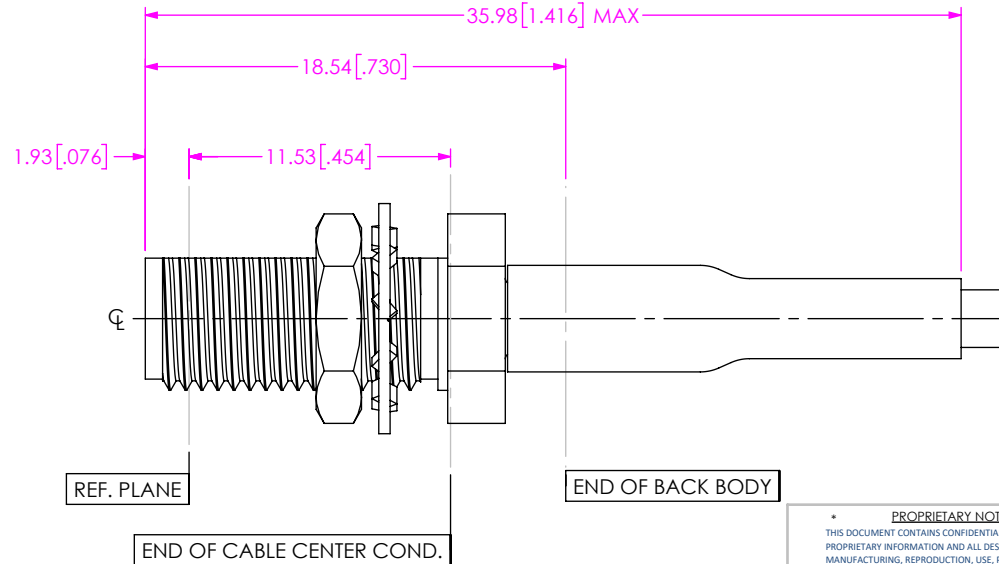


FIG 12
-01BJ SHOWN
(PROTECTIVE CAP NOT SHOWN FOR CLARITY)

PROPRIETARY NOTE
 THIS DOCUMENT CONTAINS CONFIDENTIAL AND PROPRIETARY INFORMATION AND ALL DESIGN, MANUFACTURING, REPRODUCTION, USE, PATENT RIGHTS AND SALES RIGHTS ARE EXPRESSLY RESERVED BY SAMTEC, INC. THIS DOCUMENT SHALL NOT BE DISCLOSED, IN WHOLE OR PART, TO ANY UNAUTHORIZED PERSON OR ENTITY NOR REPRODUCED, TRANSFERRED OR INCORPORATED IN ANY OTHER PROJECT IN ANY MANNER WITHOUT THE EXPRESS WRITTEN CONSENT OF SAMTEC, INC.

DO NOT SCALE DRAWING

SHEET SCALE: 3:1



520 PARK EAST BLVD. NEW ALBANY, IN 47150
 PHONE: 812-944-6733 FAX: 812-948-5047
 e-Mail info@SAMTEC.com code 55322

DESCRIPTION: RF086 CABLE ASSEMBLY

DWG. NO. RF086-XXXX-XXXX-XXXX

BY: SHERRY W 1/15/2019 SHEET 7 OF 10

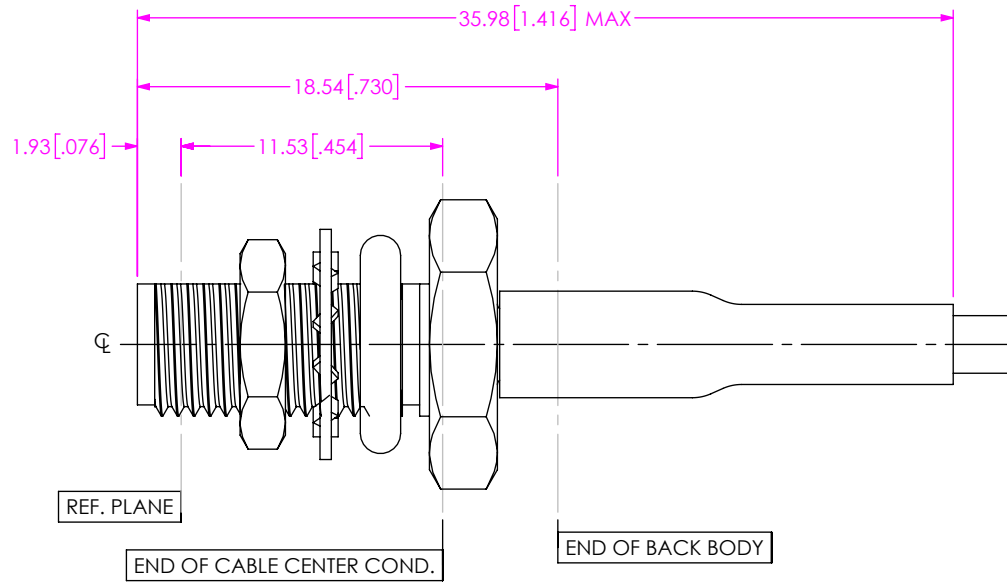


FIG 13
-01SB SHOWN
(PROTECTIVE CAP NOT SHOWN FOR CLARITY)

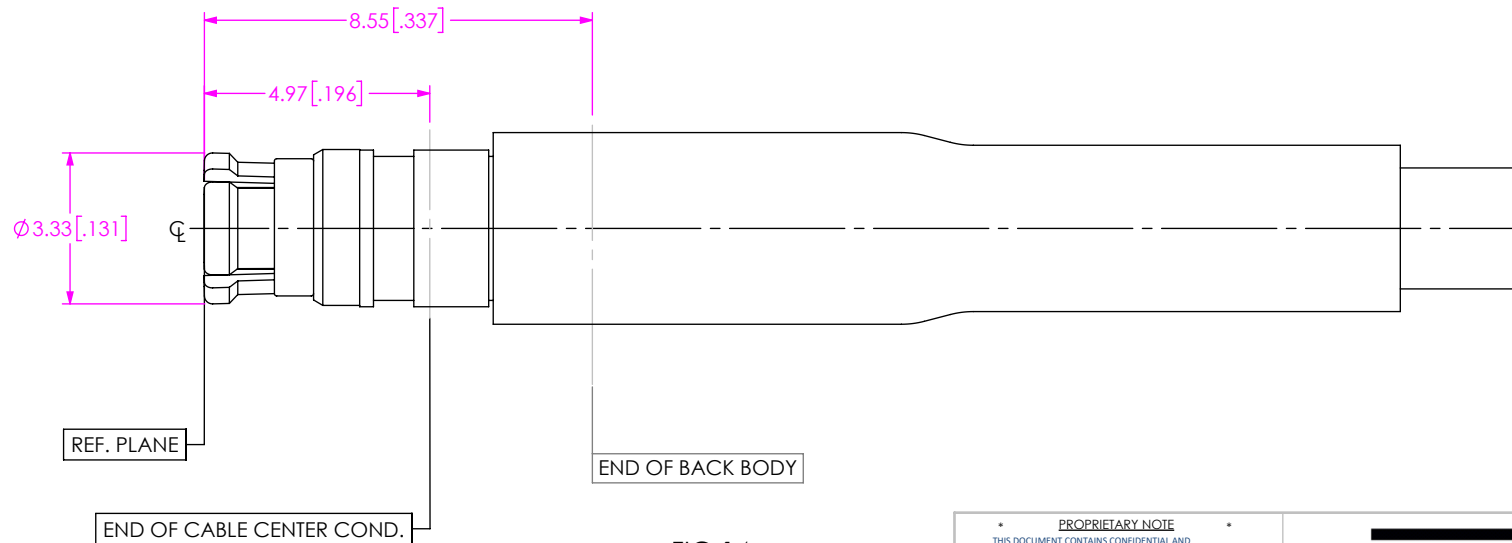


FIG 14
-00SJ SHOWN
(PROTECTIVE CAP NOT SHOWN FOR CLARITY)

PROPRIETARY NOTE
THIS DOCUMENT CONTAINS CONFIDENTIAL AND PROPRIETARY INFORMATION AND ALL DESIGN, MANUFACTURING, REPRODUCTION, USE, PATENT RIGHTS AND SALES RIGHTS ARE EXPRESSLY RESERVED BY SAMTEC, INC. THIS DOCUMENT SHALL NOT BE DISCLOSED, IN WHOLE OR PART, TO ANY UNAUTHORIZED PERSON OR ENTITY NOR REPRODUCED, TRANSFERRED OR INCORPORATED IN ANY OTHER PROJECT IN ANY MANNER WITHOUT THE EXPRESS WRITTEN CONSENT OF SAMTEC, INC.

DO NOT SCALE DRAWING

SHEET SCALE: 3:1

samtec

520 PARK EAST BLVD. NEW ALBANY, IN 47150
PHONE: 812-944-6733 FAX: 812-948-5047
e-Mail info@SAMTEC.com code 55322

DESCRIPTION:
RF086 CABLE ASSEMBLY

DWG. NO.
RF086-XXXX-XXXX-XXXX

BY: SHERRY W 1/15/2019 SHEET 8 OF 10

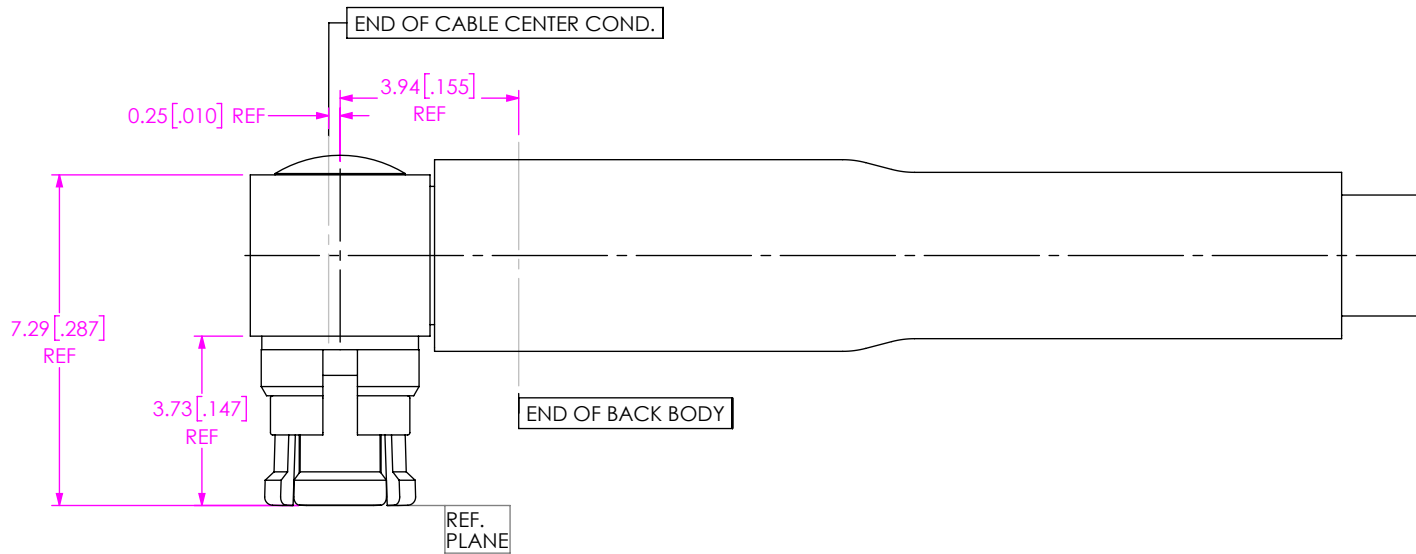


FIG 15
-00MJ SHOWN
(PROTECTIVE CAP NOT SHOWN FOR CLARITY)

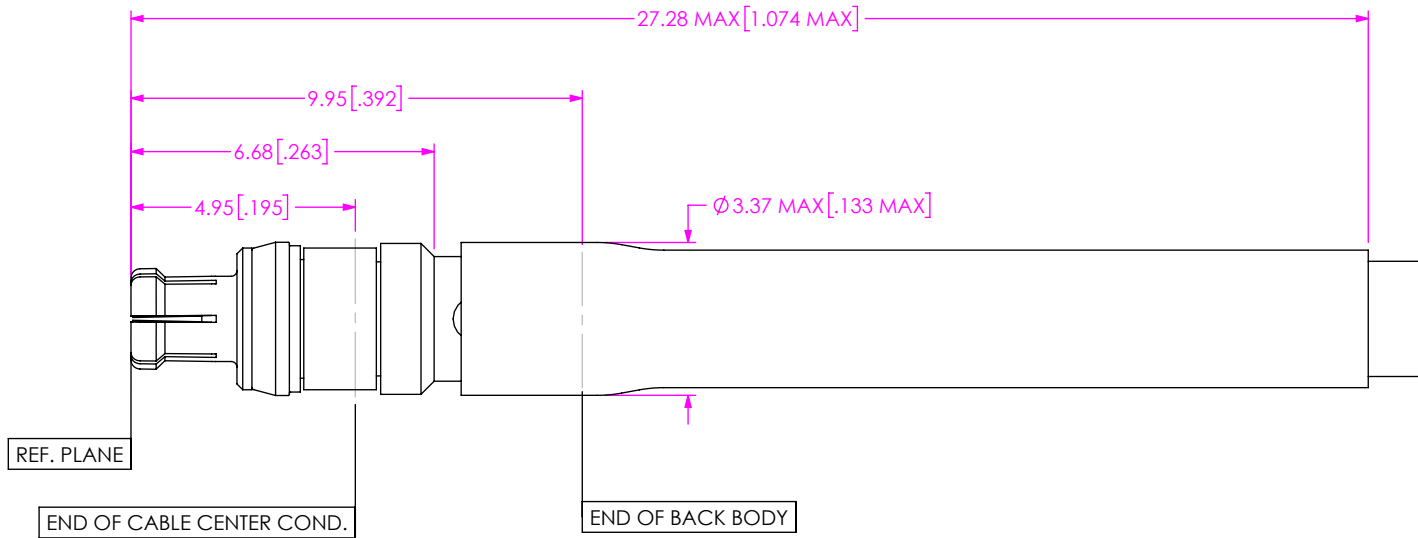


FIG 16
-GC86 SHOWN
(COMPATIBLE WITH GC86 GANGED ASSEMBLY)

PROPRIETARY NOTE
 THIS DOCUMENT CONTAINS CONFIDENTIAL AND PROPRIETARY INFORMATION AND ALL DESIGN, MANUFACTURING, REPRODUCTION, USE, PATENT RIGHTS AND SALES RIGHTS ARE EXPRESSLY RESERVED BY SAMTEC, INC. THIS DOCUMENT SHALL NOT BE DISCLOSED, IN WHOLE OR PART, TO ANY UNAUTHORIZED PERSON OR ENTITY NOR REPRODUCED, TRANSFERRED OR INCORPORATED IN ANY OTHER PROJECT IN ANY MANNER WITHOUT THE EXPRESS WRITTEN CONSENT OF SAMTEC, INC.

samtec

520 PARK EAST BLVD, NEW ALBANY, IN 47150
 PHONE: 812-944-6733 FAX: 812-948-5047
 e-Mail info@SAMTEC.com code 55322

DO NOT SCALE DRAWING

SHEET SCALE: 3:1

DESCRIPTION:
RF086 CABLE ASSEMBLY

DWG. NO.
RF086-XXXX-XXXX-XXXX

BY: SHERRY W 1/15/2019 SHEET 9 OF 10

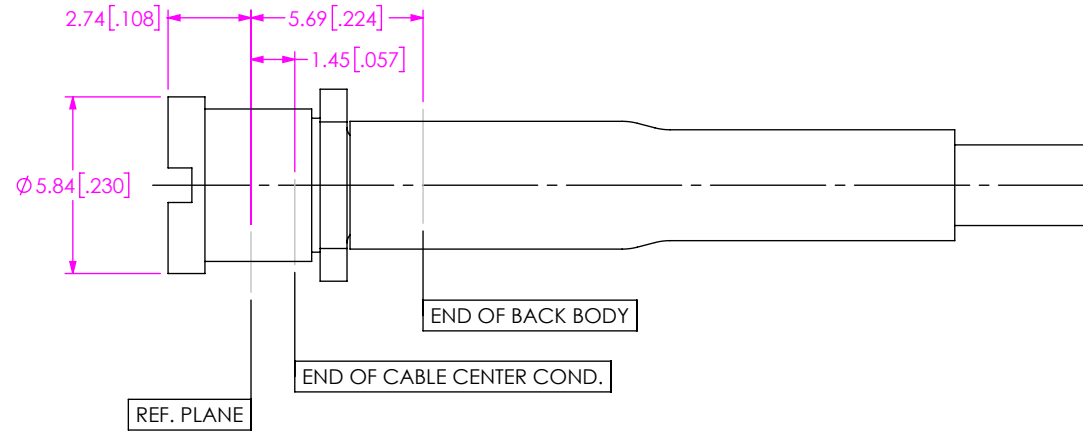


FIG 17
 -00BF SHOWN
 (PROTECTIVE CAP NOT SHOWN FOR CLARITY)

PROPRIETARY NOTE
 THIS DOCUMENT CONTAINS CONFIDENTIAL AND PROPRIETARY INFORMATION AND ALL DESIGN, MANUFACTURING, REPRODUCTION, USE, PATENT RIGHTS AND SALES RIGHTS ARE EXPRESSLY RESERVED BY SAMTEC, INC. THIS DOCUMENT SHALL NOT BE DISCLOSED, IN WHOLE OR PART, TO ANY UNAUTHORIZED PERSON OR ENTITY NOR REPRODUCED, TRANSFERRED OR INCORPORATED IN ANY OTHER PROJECT IN ANY MANNER WITHOUT THE EXPRESS WRITTEN CONSENT OF SAMTEC, INC.

DO NOT SCALE DRAWING

SHEET SCALE: 3:1

samtec
 520 PARK EAST BLVD, NEW ALBANY, IN 47150
 PHONE: 812-944-6733 FAX: 812-948-5047
 e-Mail info@SAMTEC.com code 55322

DESCRIPTION:
 RF086 CABLE ASSEMBLY

DWG. NO.
 RF086-XXXX-XXXX-XXXX