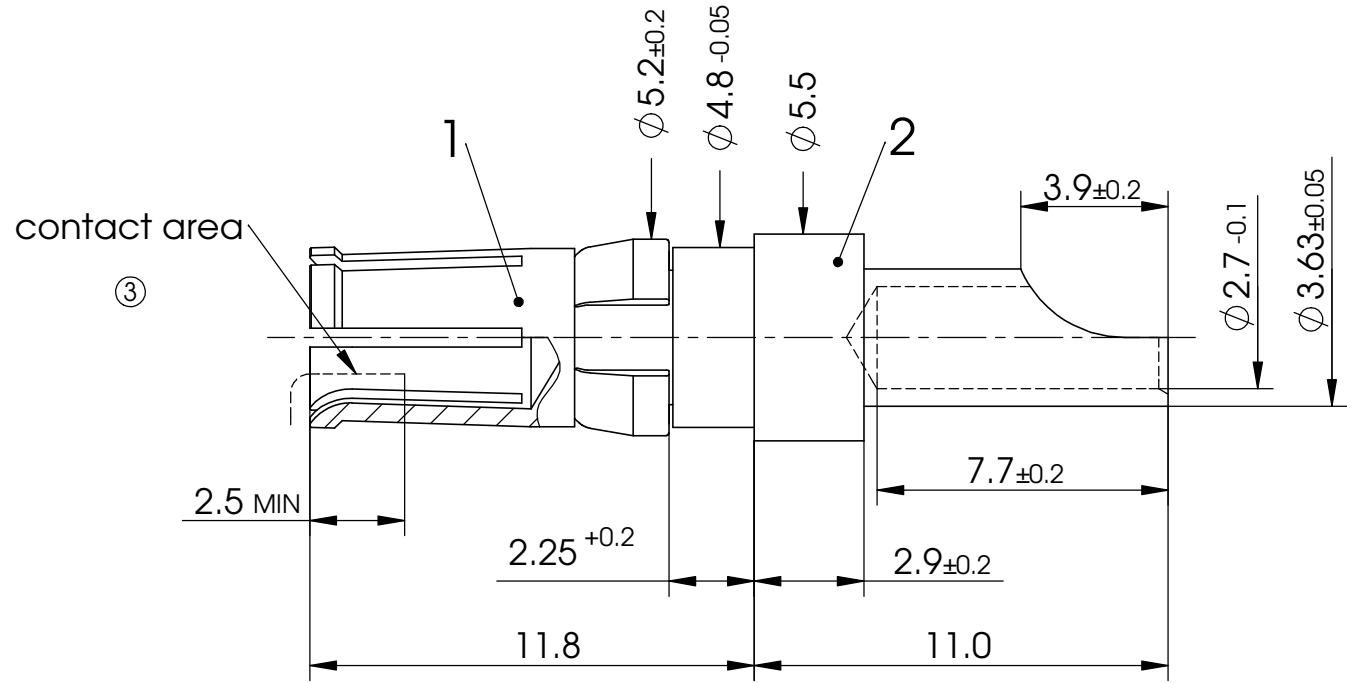
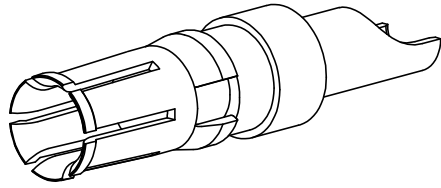


COMMENT:
 ALL RIGHTS ARE RESERVED BY US FOR THIS DRAWING. WITHOUT OUR PRIOR CONSENT,
 IT MAY NEITHER BE DUPLICATED NOR MADE AVAILABLE TO A THIRD PARTY,
 AND IT ALSO MAY NOT BE IMPROPERLY USED BY THE RECEIVER, OR A THIRD PARTY.



| | | | | | | | | | | | |
|----------------------------------------------------------|--|------------|--|------------------------------------------------------------|--|------------------------------------|--|------------------|--|-----------|--|
| CURRENT | | 20 A | | HIGH POWER CONTACT | | SCALE 5:1 | | TITLE | | ② | |
| FOR | | D-SUB | | DATE | | NAME | | | | | |
| DIMENSIONS IN MM | | | | DRAWN | | 21-09-1993 | | DBocan | | | |
| MATERIAL + FINISH SEE EXTRA SHEET | | | | CHECKED | | 08-08-2006 | | MTeubel | | | |
| UNLESS OTHERWISE SPECIFIED DIMENSIONS FOR REFERENCE ONLY | | | | www.fctgroup.com | | | | PART NO. | | REV. | |
| 3 | | 08-08-2006 | | | | | | 11399 | | FMP006S | |
| REV. | | DATE | | INDEX | | ORIGINAL: DIN A4-DRAWING AS A FILE | | REPLACEMENT FOR: | | PAGE: 1/1 | |