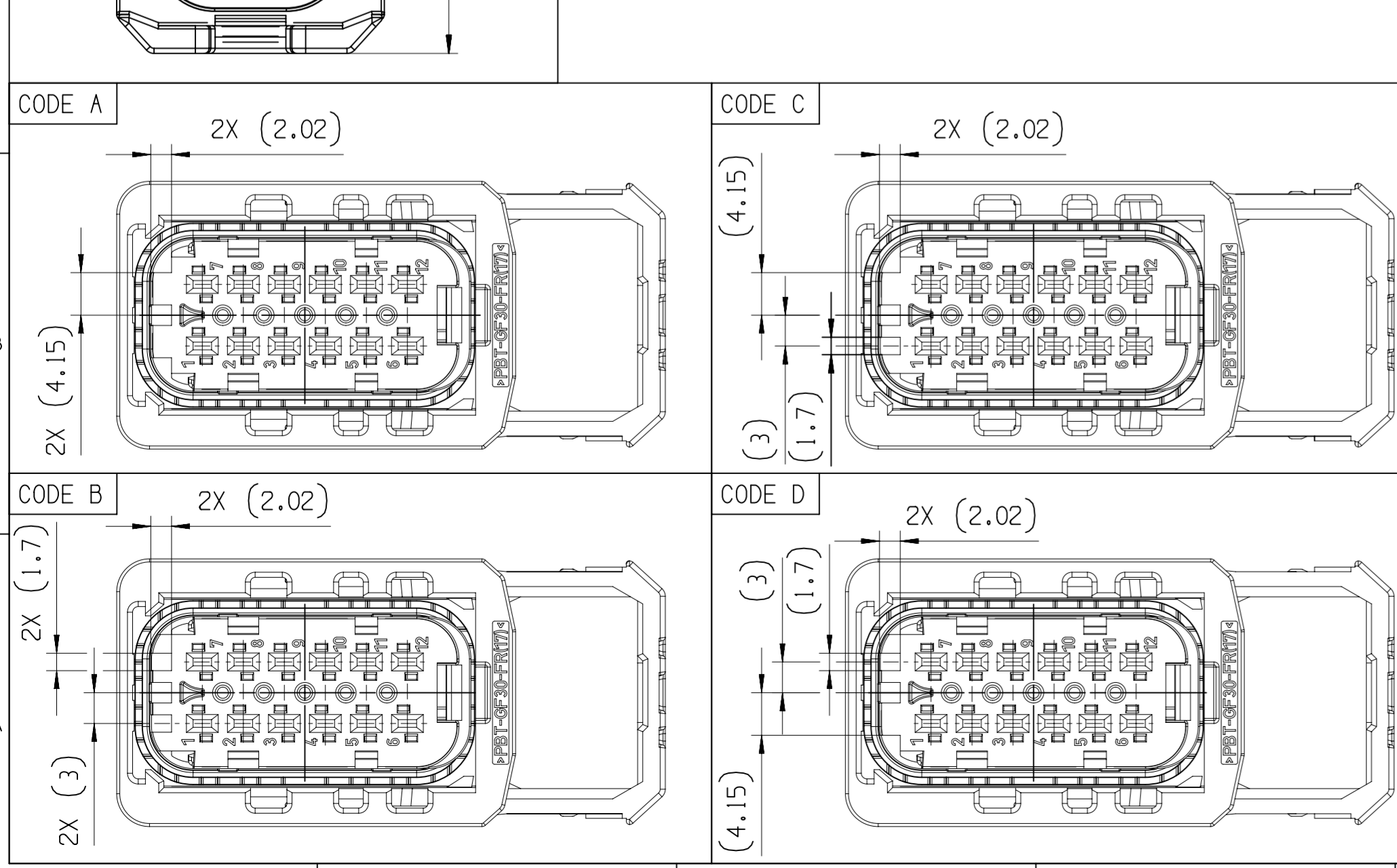
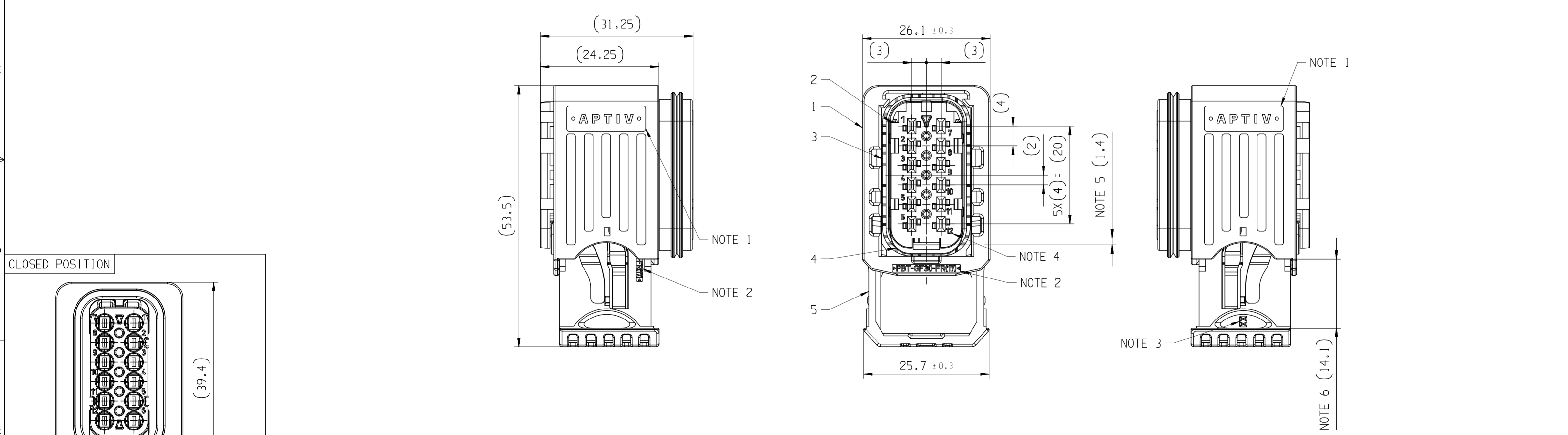


ASSEMBLY-NO.:	PART-REV	CODING	MATERIAL/WEIGHT
33340130	01	CODE A	ALL PARTS V0 / 26,1
33339571	01	CODE B	
33340234	01	CODE C	
33340235	01	CODE D	
33350122	01	CODE A	ALL PARTS NVO / 25,3
33350276	01	CODE B	
33350334	01	CODE C	
33350335	01	CODE D	

POSITION	1				2				3		4		5		
NAME	HOUSING				INSERT				HOUSING SEAL	SECONDARY LOCK		SLIDER			
MATERIAL	PBT GF30 FR17	PBT GF30	PBT GF30 FR17				PBT GF30				LSR 50 SHORE	PBT GF30 FR17	PBT GF30	PBT GF30 FR17	PBT GF30
COLOR:	BLACK	BLACK	BLACK	GRAY	GREEN	BLUE	BLACK	GRAY	GREEN	BLUE	REDDISH-BROWN	ORANGE	YELLOW	ORANGE	YELLOW
PART-NO.:	33338835	33349754	33338899	33338897	33338900	33338903	33350053	33350055	33350054	33349767	33339449	33338904	33350081	33338837	33350047

DWG STATUS				ZONE	REVISION HISTORY			AUTH	DR	APVD 1	APVD 2	
DATE	STG	REV	N/P/CHG		INITIAL RELEASE					K.FAR	P.NAJ	M.GRU
15MR19	R	01										



- NOTES**
- ON MAIN VIEW ASSEMBLY 33340130 SHOWN (CODE A)
 - DELIVERED CONDITION AS ON MAIN VIEWS - SECONDARY LOCK AND SLIDER IN OPEN POSITION
 - ASSEMBLY INSTRUCTION NO.:
 - 35269106-CUS71 - PRELIMINARY ASSEMBLY
 - 35269106-CUS72 - HARNESS ASSEMBLY
 - 35269103-CUS73 - CAR ASSEMBLY
 - 35269102-CUS73 - CAR ASSEMBLY
 - MATING PARTS:
 - 12 WAY 1.5 MALE PANEL MOUNT ASM DWG-NO.: 35123474
 - BACKSHELL 90 DEG APTIV DWG-NO.: 33390631 (HT DWG-NO.: 17-2276-001-CSG1)
 - BACKSHELL 180 DEG APTIV DWG-NO.: 33390632 (HT DWG-NO.: 17-1486-001-CSG1)
 - PROTECTION CAP APTIV DWG-NO.: 35149888 (HT DWG-NO.: 17-2267-001-CSG1)
 - MATING TERMINAL SYSTEM:
 - 1.5 TERMINAL DWG-NO.: 15432214
 - MAX WIRE CROSS SECTION: 1.0MM²
- APTIV LOGO
 - MATERIAL NAME ACCORDING TO VDA 260
 - TOOL CAVITY NUMBER
 - PART CAVITY NUMBER
 - MOVING DISTANCE OF SECONDARY LOCK
 - MOVING DISTANCE OF SLIDER

DIM TO CHECK	DIMENSIONAL RANGE (MM)	TOLERANCE UNLESS OTHERWISE SPECIFIED	CHART	EL
() DIM FOR HELP	FROM > 0 TO > 20	> 30 > 70 > 100 > 150 > 200 > 250 > 300 > 400		
() DIM FOR HELP	TO > 20 > 30 > 70 > 100 > 150 > 200 > 250 > 300 > 400			
THEORETIC DIM		±0.15 ±0.2 ±0.3 ±0.4 ±0.5 ±0.6 ±0.8 ±1 ±1.2		
		ANGULAR TOLERANCE +2°		

SCALE: 1:1

DWG TYP: PART DRAWING

WEIGHT (GR): SEE CHART

VOLUME (CM³): ---

ROUTING: D

UNLESS OTHERWISE SPECIFIED

GENERAL TOLERANCES ACCORDING TO: SEE CHART

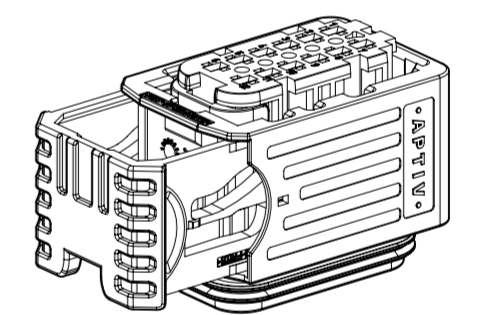
GD&T ACCORDING TO: ISO 1101

REFERENCE

FIRST ANGLE PROJECTION

DO NOT SCALE

USE MATH DATA



APTIV

CONNECTION SYSTEMS
KRAKOW, POLAND

COPYRIGHT 2019 APTIV. ALL RIGHTS RESERVED.

THIS DRAWING IS THE PROPERTY OF APTIV AND CONTAINS APTIV CONFIDENTIAL INFORMATION. THE REPRODUCTION, DISTRIBUTION AND UTILIZATION OF THIS DOCUMENT OR ITS RELATED CAD MATH DATA, AS WELL AS COMMUNICATION OF ANY CONTENT TO OTHERS, WITHOUT EXPRESS AUTHORIZATION, IS PROHIBITED.

TEN RYSUNEK JEST WLASNOSCIA APTIV I ZAWIERA POUFNE INFORMACJE POWELANE, ROZPOWISZCZANIE I WYKORZYSTYWANIE TEGO DOKUMENTU LUB ZWIAZANYCH Z NIM DANYCH CAD, JAK ROWNIEZ PRZEKAZYWANIE INNYM JAKIEKOLWIEK ICH ZAWARTOSC I POWTORNE PRZETWORZENIE OKRESLA UPRAWNIEN, JEST ZABRONIONE.

DR	DATE
K.FARON	14MR19
P.NAJDUCH	15MR19
M.GRUDZEWSKI	15MR19

MATERIAL: SEE CHART

DRAWING NAME: 12 WAY 1.5 CTCS FEMALE ASSEMBLY

DRAWING NUMBER: 35123477

SIZE	SCALE	FRAME NO	SHEET NO	STG	REV	N/P
A1	2:1	1 OF 1	1 OF 1	R	01	