

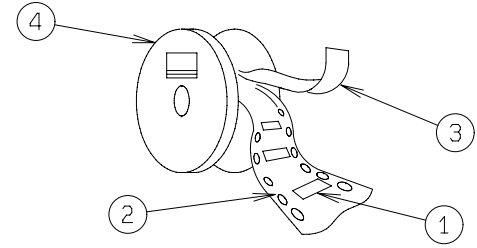
NO.	DESCRIPTION	PART NO.	QTY	MATERIAL	DRW NO.	REMARKS
1	CONNECTOR	20 5805 XXX 00X 829 H +	2000			
2	EMBOSSED TAPE		1	POLYSTYRENE		
3	TOP COVER TAPE		1	POLYSTYRENE		
4	REEL		1	POLYSTYRENE		

極数 NO. OF POS.	A	B	C	D
10	5.5	-	12.0	18.4
16	7.5	-	16.0	22.4
20	7.5	-	16.0	22.4
24	7.5	-	16.0	22.4
26	7.5	-	16.0	22.4
30	7.5	-	16.0	22.4
34	11.5	-	24.0	30.4
40	11.5	-	24.0	30.4
44	11.5	-	24.0	30.4
50	11.5	-	24.0	30.4
54	11.5	-	24.0	30.4
60	11.5	-	24.0	30.4
64	11.5	-	24.0	30.4
70	11.5	-	24.0	30.4
80	14.2	28.4	32.0	38.4

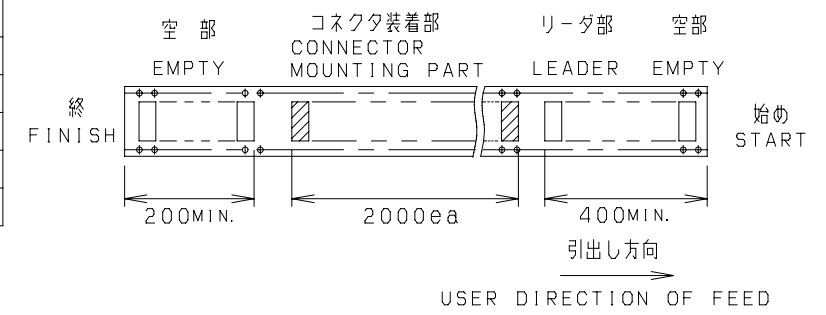
注記
NOTE

1. 梱包数量 : 2000 個/リール
PACKING QUANTITY : 2000 ea/reel

2. 納入時のリール巻き方向
REELING DIRECTION
IN DELIVERY



3. 引出し方向
USER DIRECTION OF FEED



4. 型番
P/N 24 5805 XXX 00X 829 H +

極数
NO. OF POS.
バリエーション
VARIATION

	ANCHOR PLATE	BOSS	GUIDE POST
0	-	-	-
1	-	@	-

@: WITH - : WITHOUT

ROHS規制対応
COMPLIANT WITH
ROHS REGULATIONS

TOLERANCE / 一般公差 (S)		PRODUCT SPEC / 製品規格							
X < 10	±0.2			A	DCN-977	10-31-07			
10 ≤ X < 30	±0.25	UNIT	ANGLE	O	EDN-890	8-09-06		A. TSUNEMURA	Y. SHIROYAMA
30 ≤ X	±0.3	mm	3RD	NO.	EDN/DCN	DATE	ISSUE	CHECKED	APPROVED
ANGLE / 角度	±3°	SCALE	DATE	PART NAME / 品名					
		3/1	8-09-06	SERIES 5805 EMBOSS TAPE ASSY (LCP) REC ASSY ST SMT WITHOUT ANCHORPLATE H=1.0					
DRAWN	DESIGNED	CHECKED	APPROVED	PART NO. / 型番					
T. KOMATSU	A. TSUNEMURA	Y. SHIROYAMA	N. HAYASHI	24 5805 XXX 00X 829 H +					
KYOCERA				DWG NO. / 図番		SHEET/REV			
KYOCERA ELCO CORPORATION				BJS 5805034		1/1		A	

