

ECS Clock Oscillators

RoHS Compliant This product is RoHS compliant.



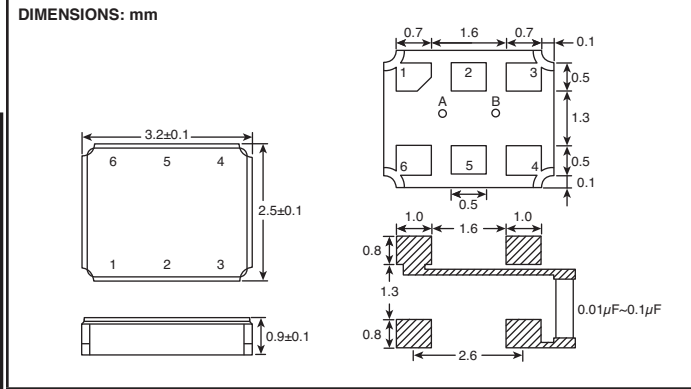
ECS-2535HS SMD CLOCK OSCILLATOR 3.2 X 2.5MM

Specifications:

- Frequency range: 1.000 min. - 45.000 max. MHz
- Operating temperature: -30°C to +85°C
- Output load: 15pF



RoHS Compliant



For quantities greater than listed, call for quote.

MOUSER STOCK NO.	ECS Part No.	Frequency (MHz)	Volt (Vdc)	Price Each		
				1	10	100
520-2532HS-221-3-G	ECS-2532HS-221-3-G	22.1184	3.3	12.45	10.38	9.34
520-2532HS-240-3-G	ECS-2532HS-240-3-G	24.0000	3.3	12.45	10.38	9.34
520-2532HS-260-3-G	ECS-2532HS-260-3-G	26.0000	3.3	12.45	10.38	9.34
520-2532HS-270-3-G	ECS-2532HS-270-3-G	27.0000	3.3	12.45	10.38	9.34
520-2532HS-400-3-G	ECS-2532HS-400-3-G	40.0000	3.3	13.45	11.38	10.34
520-2532HS-440-3-G	ECS-2532HS-440-3-G	44.0000	3.3	12.45	10.38	9.34



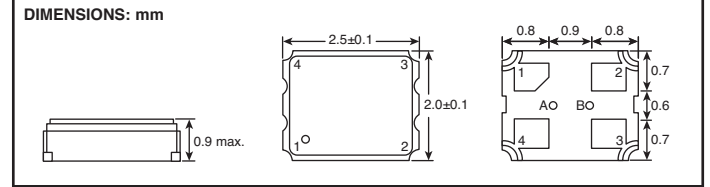
ECS-2033 SMD CLOCK OSCILLATOR 2.5 X 2.0MM

Specifications:

- Frequency range: 0.750 min. - 75.000 max. MHz
- Operating temperature: -40°C to +85°C
- Frequency stability: ±50ppm
- Output load: 15pF



RoHS Compliant



For quantities greater than listed, call for quote.

MOUSER STOCK NO.	ECS Part No.	Frequency (MHz)	Price Each		
			1	10	100
520-ECS-2033-036-BN	ECS-2033-036-BN	3.6864	5.94	5.34	4.45
520-ECS-2033-040-BN	ECS-2033-040-BN	4.0000	5.94	5.34	4.45
520-ECS-2033-060-BN	ECS-2033-060-BN	6.0000	5.94	5.34	4.45
520-ECS-2033-073-BN	ECS-2033-073-BN	7.3728	5.94	5.34	4.45
520-ECS-2033-080-BN	ECS-2033-080-BN	8.0000	5.94	5.34	4.45
520-ECS-2033-100-BN	ECS-2033-100-BN	10.0000	5.94	5.34	4.45
520-ECS-2033-120-BN	ECS-2033-120-BN	12.0000	5.94	5.34	4.45
520-ECS-2033-130-BN	ECS-2033-130-BN	13.0000	5.94	5.34	4.45
520-ECS-2033-143-BN	ECS-2033-143-BN	14.31818	5.94	5.34	4.45
520-ECS-2033-160-BN	ECS-2033-160-BN	16.0000	5.94	5.34	4.45
520-ECS-2033-200-BN	ECS-2033-200-BN	20.0000	5.94	5.34	4.45
520-ECS-2033-240-BN	ECS-2033-240-BN	24.0000	5.94	5.34	4.45
520-ECS-2033-250-BN	ECS-2033-250-BN	25.0000	5.94	5.34	4.45
520-ECS-2033-300-BN	ECS-2033-300-BN	30.0000	5.94	5.34	4.45
520-ECS-2033-320-BN	ECS-2033-320-BN	32.0000	5.94	5.34	4.45
520-ECS-2033-400-BN	ECS-2033-400-BN	40.0000	5.94	5.34	4.45
520-ECS-2033-480-BN	ECS-2033-480-BN	48.0000	5.94	5.34	4.45
520-ECS-2033-500-BN	ECS-2033-500-BN	50.0000	5.94	5.34	4.45

Frequency Control

ECS

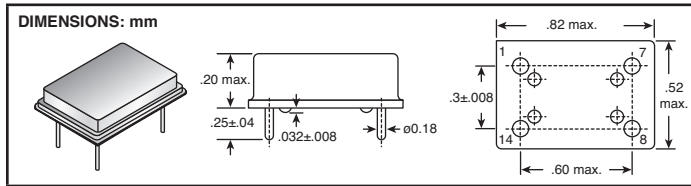
WECS INC. FULL SIZE (TTL/HCMOS) CLOCK OSCILLATORS

Specifications:

- Frequency stability: ±100ppm max.
- Supply voltage: +5.0 ±0.25
- Operating temp.: 0°C to +70°C
- Storage temp: -55°C to +125°C
- Output Load: TTL: 10 TTL max.



RoHS Compliant



For quantities greater than listed, call for quote.

MOUSER STOCK NO.	ECS Part No.	Frequency (MHz)	Price Each			
			1	10	100	500
520-TCF100-X	ECS-100AX-1.0MHZ	1.000000	1.87	1.67	1.35	1.20
520-TCF122-X	ECS-100AX-1.2288MHZ	1.228800	1.87	1.67	1.35	1.20
520-TCF200-X	ECS-100AX-2.0MHZ	2.000000	1.87	1.67	1.35	1.20
520-TCF357-X	ECS-100AX-3.579545MHZ	3.579545	1.87	1.67	1.35	1.20
520-TCF368-X	ECS-100AX-3.6864MHZ	3.686400	1.87	1.67	1.35	1.20
520-TCF400-X	ECS-100AX-4.0MHZ	4.000000	1.87	1.67	1.35	1.20
520-TCF491-X	ECS-100AX-4.9152MHZ	4.915200	1.87	1.67	1.35	1.20
520-TCF500-X	ECS-100AX-5.0MHZ	5.000000	1.87	1.67	1.35	1.20
520-TCF506-X	ECS-100AX-5.0688MHZ	5.068800	1.87	1.67	1.35	1.20
520-TCF600-X	ECS-100AX-6.0MHZ	6.000000	1.87	1.67	1.35	1.20
520-TCF614-X	ECS-100AX-6.144MHZ	6.144000	1.87	1.67	1.35	1.20
520-TCF737-X	ECS-100AX-7.3728MHZ	7.372800	1.87	1.67	1.35	1.20
520-TCF800-X	ECS-100AX-8.0MHZ	8.000000	1.87	1.67	1.35	1.20
520-TCF921-X	ECS-100AX-9.216MHZ	9.216000	1.87	1.67	1.35	1.20
520-TCF983-X	ECS-100AX-9.8304MHZ	9.830400	1.87	1.67	1.35	1.20
520-TCF1000-X	ECS-100AX-10.0MHZ	10.000000	1.87	1.67	1.35	1.20
520-TCF1431-X	ECS-100AX-14.31818MHZ	14.318180	1.87	1.67	1.35	1.20
520-TCF1600-X	ECS-100AX-16.0MHZ	16.000000	1.87	1.67	1.35	1.20
520-TCF1800-X	ECS-100AX-18.0MHZ	18.000000	1.87	1.67	1.35	1.20
520-TCF1843-X	ECS-100AX-18.432MHZ	18.432000	1.87	1.67	1.35	1.20
520-TCF1966-X	ECS-100AX-19.6608MHZ	19.660800	1.87	1.67	1.35	1.20
520-TCF2000-X	ECS-100AX-20.000MHZ	20.000000	1.87	1.67	1.35	1.20
520-TCF2400-X	ECS-100AX-24.0MHZ	24.000000	1.87	1.67	1.35	1.20
520-TCF2500-X	ECS-100AX-25.0MHZ	25.000000	1.87	1.67	1.35	1.20
520-TCF2832-X	ECS-100AX-28.322MHZ	28.322000	1.87	1.67	1.35	1.20
520-TCF3000-X	ECS-100AX-30.0MHZ	30.000000	1.87	1.67	1.35	1.20
520-TCF3500-X	ECS-100AX-35.0MHZ	35.000000	1.87	1.67	1.35	1.20
520-TCF4000-X	ECS-100AX-40.0MHZ	40.000000	1.87	1.67	1.35	1.20
520-TCF5000-X	ECS-100AX-50.0MHZ	50.000000	1.87	1.67	1.35	1.20
520-TCF6666-X	ECS-100AX-66.666MHZ	66.666000	1.87	1.67	1.35	1.20

Aries Sockets

For quantities greater than listed, call for quote.

MOUSER STOCK NO.	Aries Part No.	Description	Price Each			
			1	25	100	500
535-1107741	1107741	Full size socket	.58	.48	.39	.345

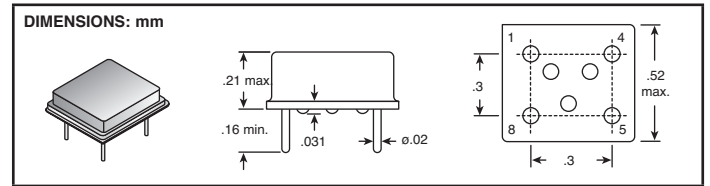
WECS INC. HALF SIZE (TTL/HCMOS) CLOCK OSCILLATORS

Specifications:

- Frequency stability: ±100ppm max.
- Supply voltage: +5.0 ±0.25
- Operating temp.: 0°C to +70°C
- Storage temp: -55°C to +125°C
- Output load: TTL: 10 TTL max.; HCMOS: 50pF



RoHS Compliant



For quantities greater than listed, call for quote.

MOUSER STOCK NO.	ECS Part No.	Frequency (MHz)	Price Each			
			1	10	100	500
520-TCH100-X	ECS-2100AX-1.0MHZ	1.000000	2.11	1.90	1.53	1.36
520-TCH122-X	ECS-2100AX-1.2288MHZ	1.228800	2.11	1.90	1.53	1.36
520-TCH184-X	ECS-2100AX-1.8432MHZ	1.843200	2.11	1.90	1.53	1.36
520-TCH200-X	ECS-2100AX-2.0MHZ	2.000000	2.11	1.90	1.53	1.36
520-TCH357-X	ECS-2100AX-3.579545MHZ	3.579545	2.11	1.90	1.53	1.36
520-TCH368-X	ECS-2100AX-3.6864MHZ	3.686400	2.11	1.90	1.53	1.36
520-TCH400-X	ECS-2100AX-4.0MHZ	4.000000	2.11	1.90	1.53	1.36
520-TCH506-X	ECS-2100AX-5.0688MHZ	5.068800	2.11	1.90	1.53	1.36
520-TCH600-X	ECS-2100AX-6.0MHZ	6.000000	2.11	1.90	1.53	1.36
520-TCH614-X	ECS-2100AX-6.144MHZ	6.144000	2.11	1.90	1.53	1.36
520-TCH800-X	ECS-2100AX-8.0MHZ	8.000000	2.11	1.90	1.53	1.36
520-TCH921-X	ECS-2100AX-9.216MHZ	9.216000	2.11	1.90	1.53	1.36
520-TCH983-X	ECS-2100AX-9.8304MHZ	9.830400	2.11	1.90	1.53	1.36
520-TCH1000-X	ECS-2100AX-10.0MHZ	10.000000	2.11	1.90	1.53	1.36
520-TCH1105-X	ECS-2100AX-11.0592MHZ	11.059200	2.11	1.90	1.53	1.36
520-TCH1200-X	ECS-2100AX-12.0MHZ	12.000000	2.11	1.90	1.53	1.36
520-TCH1431-X	ECS-2100AX-14.31818MHZ	14.318180	2.11	1.90	1.53	1.36
520-TCH1600-X	ECS-2100AX-16.0MHZ	16.000000	2.11	1.90	1.53	1.36
520-TCH1625-X	ECS-2100AX-16.257MHZ	16.257000	2.11	1.90	1.53	1.36
520-TCH1800-X	ECS-2100AX-18.0MHZ	18.000000	2.11	1.90	1.53	1.36
520-TCH1843-X	ECS-2100AX-18.432MHZ	18.432000	2.11	1.90	1.53	1.36
520-TCH1966-X	ECS-2100AX-19.6608MHZ	19.660800	2.11	1.90	1.53	1.36
520-TCH2000-X	ECS-2100AX-20.0MHZ	20.000000	2.11	1.90	1.53	1.36
520-TCH2500-X	ECS-2100AX-25.0MHZ	25.000000	2.11	1.90	1.53	1.36
520-TCH2832-X	ECS-2100AX-28.322MHZ	28.322000	2.11	1.90	1.53	1.36
520-TCH3000-X	ECS-2100AX-30.0MHZ	30.000000	2.11	1.90	1.53	1.36
520-TCH3200-X	ECS-2100AX-32.0MHZ	32.000000	2.11	1.90	1.53	1.36
520-TCH4000-X	ECS-2100AX-40.0MHZ	40.000000	2.11	1.90	1.53	1.36
520-TCH4800-X	ECS-2100AX-48.0MHZ	48.000000	2.11	1.90	1.53	1.36
520-TCH6400-X	ECS-2100AX-64.0MHZ	64.000000	2.11	1.90	1.53	1.36
520-TCH6666-X	ECS-2100AX-66.666MHZ	66.666000	2.11	1.90	1.53	1.36

Aries Sockets

For quantities greater than listed, call for quote.

MOUSER STOCK NO.	Aries Part No.	Description	Price Each			
			1	25	100	500
535-1108800	1108800	Half size socket	.58	.48	.39	.345