



Product Change Notification

PCN No: MSS-22-0526-CCB-0854

MSS GT7 to DiamondX final test platform change

Notification Date: 10/24/2022

Qualification Data Availability Date: 10/24/2022

Notification Period: 0 days

Sample Availability Date: 10/24/2022

Proposed First Ship Date for Change: 10/24/2022

Last Date of Manufacture of Unchanged Product: 10/24/2022

Dear Valued Skyworks Customer:

Please be advised that Skyworks Solutions Inc. is introducing the following product change(s):

Description and Scope of Change

GT7 tester platform from Silicon Labs lease term expiring. Need to convert all product on GT7 to new test platform DiamondX.

Products Affected

51x and Si5350/51 OPNs - See Appendix A for full list/template

Method for Identifying Changed Product

Full product change traceability is maintained by lot code

Reason for Change

GT7 tester to return to Silicon Labs

Anticipated Impact on Form, Fit Function, Reliability, Quality or Safety

No customer impact is anticipated with this change; there is no change to form, fit, function, reliability, quality or safety.

Qualification Plan Summary

Correlation plan executed and correlation established between GT7 and DiamondX.

Launch Plan

Immediate change, courtesy notification to customers.

Please contact your Skyworks customer service representative with any questions or comments regarding this change. If you are unsure whom to contact, please email Skyworks Change Management at Skyworks.CCB@Skyworksinc.com.

Skyworks Solutions, Inc.

20 Sylvan Road, Woburn, MA 01801

USA: (781) 376-3000 • Asia: 886 2 2735 0399

Europe: 33 (0)1 43548540 • Fax: (781) 376-3300

On the Web: www.skyworksinc.com



MSS-22-0526-CCB-0854 Appendix A

51x OPNs – All Affected

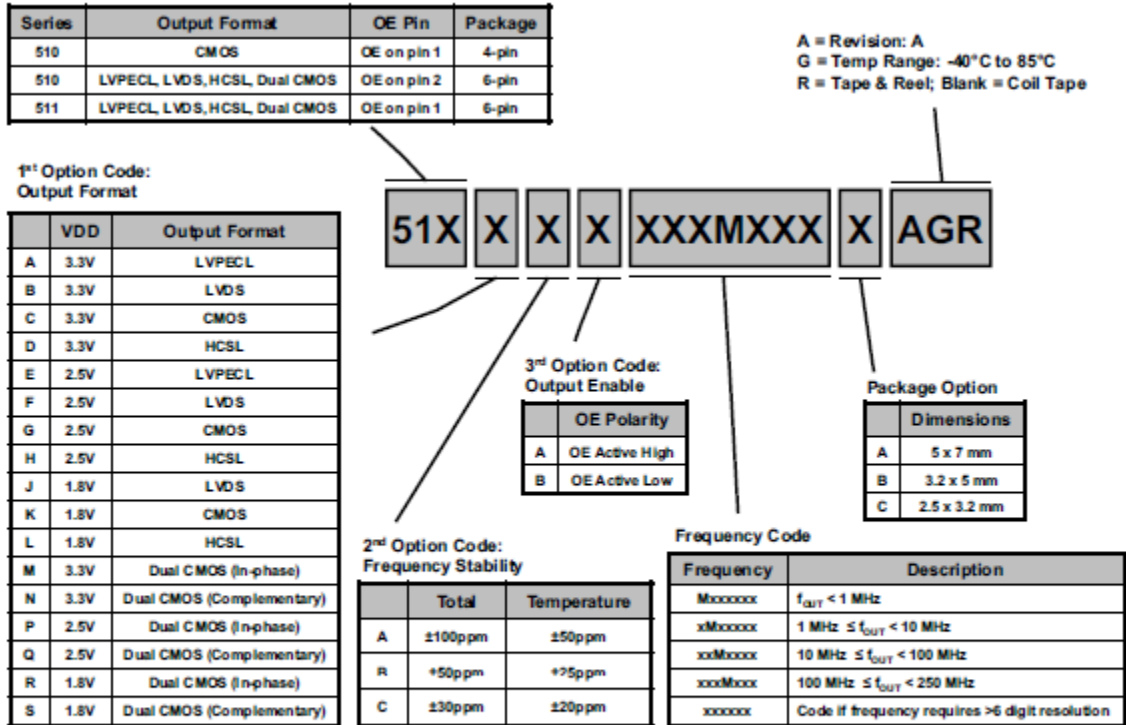


Figure 2. Part Number Syntax

Example orderable part number: 510ECB156M250AAG supports 2.5 V LVPECL, ±30 ppm total stability, OE active low in 5 x 7 mm package across -40°C to 85°C temperature range. The output frequency is 156.25 MHz.

Note: CMOS and Dual CMOS maximum frequency is 212.5 MHz.

Si5350/51 – All Affected

Part Number	I ² C or Pin	Frequency Reference	Programmed?	Outputs	Data Sheet
Si5351A-B-GT	I ² C	XTAL only	Blank	3	Si5351A/B/C-B
Si5351A-B-GM1	I ² C	XTAL only	Blank	4	Si5351A/B/C-B
Si5351B-B-GM1	I ² C	XTAL and/or Voltage	Blank	4	Si5351A/B/C-B
Si5351C-B-GM1	I ² C	XTAL and/or CLKIN	Blank	4	Si5351A/B/C-B
Si5351A-B-GM	I ² C	XTAL only	Blank	8	Si5351A/B/C-B
Si5351B-B-GM	I ² C	XTAL and/or Voltage	Blank	8	Si5351A/B/C-B
Si5351C-B-GM	I ² C	XTAL and/or CLKIN	Blank	8	Si5351A/B/C-B
Si5351A-Bxxxxx-GT	I ² C	XTAL only	Factory Preprogrammed	3	Si5351A/B/C-B
Si5351A-Bxxxxx-GM1	I ² C	XTAL only	Factory Preprogrammed	4	Si5351A/B/C-B
Si5351B-Bxxxxx-GM1	I ² C	XTAL and/or Voltage	Factory Preprogrammed	4	Si5351A/B/C-B
Si5351C-Bxxxxx-GM1	I ² C	XTAL and/or CLKIN	Factory Preprogrammed	4	Si5351A/B/C-B
Si5351A-Bxxxxx-GM	I ² C	XTAL only	Factory Preprogrammed	8	Si5351A/B/C-B
Si5351B-Bxxxxx-GM	I ² C	XTAL and/or Voltage	Factory Preprogrammed	8	Si5351A/B/C-B
Si5351C-Bxxxxx-GM	I ² C	XTAL and/or CLKIN	Factory Preprogrammed	8	Si5351A/B/C-B
Si5350A-Bxxxxx-GT	Pin	XTAL only	Factory Preprogrammed	3	Si5350A-B
Si5350A-Bxxxxx-GM1	Pin	XTAL only	Factory Preprogrammed	4	Si5350A-B
Si5350A-Bxxxxx-GM	Pin	XTAL only	Factory Preprogrammed	8	Si5350A-B
Si5350B-Bxxxxx-GT	Pin	XTAL and/or Voltage	Factory Preprogrammed	3	Si5350B-B
Si5350B-Bxxxxx-GM1	Pin	XTAL and/or Voltage	Factory Preprogrammed	4	Si5350B-B
Si5350B-Bxxxxx-GM	Pin	XTAL and/or Voltage	Factory Preprogrammed	8	Si5350B-B
Si5350C-Bxxxxx-GT	Pin	XTAL and/or CLKIN	Factory Preprogrammed	3	Si5350C-B
Si5350C-Bxxxxx-GM1	Pin	XTAL and/or CLKIN	Factory Preprogrammed	4	Si5350C-B
Si5350C-Bxxxxx-GM	Pin	XTAL and/or CLKIN	Factory Preprogrammed	8	Si5350C-B