



**12500 TI Boulevard, MS 8640, Dallas, Texas 75243**

**PCN# 20091102000  
SPQ/MOQ and pack materials change for select devices in the RGY package  
Information Only**

**Date:** 11/11/2009  
**To:** Brian Morrow

Dear Customer:

This is an information-only announcement of a change to a device that is currently offered by Texas Instruments.

The changes discussed within this PCN are for your information only. Please see the attachment details for the planned implementation date.

This notification period is per TI's standard process. Any negotiated alternative change requirements will be provided via the customer's defined process. Customers with previously negotiated, special requirements will be handled separately. Any inquiries should be directed to your local Field Sales Representative.

For questions regarding this notice, contact your local Field Sales Representative or the PCN Manager ([PCN\\_ww\\_admin\\_team@list.ti.com](mailto:PCN_ww_admin_team@list.ti.com)).

Sincerely,

PCN Team  
SC Business Services  
Phone: +1(214) 480-6037  
Fax: +1(214) 480-6659

**20091102000**  
**Attachment: 1**

**Products Affected:**

The devices listed on this page are a subset of the complete list of affected devices. According to our records, these are the devices that you have purchased within the past twenty-four (24) months. The corresponding customer part number is also listed, if available.

<b>DEVICE</b>	<b>CUSTOMER PART NUMBER</b>
AM26LV31EIRGYR	null
PCA9544ARGYR	null
PCA9545ARGYR	null
PCA9546ARGYR	null
PCA9557RGYR	null
PCF8574ARGYR	null
PCF8574RGYR	null
PCF8574RGYRG4	null
SN74ABT125RGYR	null
SN74ABT126RGYR	null
SN74AHC00RGYR	null
SN74AHC04RGYR	null
SN74AHC08RGYR	null
SN74AHC125RGYR	null
SN74AHC138RGYR	null
SN74AHC139RGYR	null
SN74AHC14RGYR	null
SN74AHC157RGYR	null
SN74AHC74RGYR	null
SN74AHC86RGYR	null
SN74AHCT04RGYR	null
SN74AHCT08RGYR	null
SN74AHCT08RGYRG4	null
SN74ALVC00RGYR	null
SN74ALVC08RGYR	null
SN74AUC02RGYR	null
SN74AUC04RGYR	null
SN74AUC06RGYR	null
SN74AUC07RGYR	null
SN74AUC08RGYR	null
SN74AUC125RGYR	null
SN74AUC17RGYRG4	null
SN74AUC240RGYR	null
SN74AUC244RGYR	null
SN74AUC245RGYR	null
SN74AUC34RGYR	null
SN74AUC74RGYR	null
SN74LV08ARGYR	null
SN74LV139ARGYR	null
SN74LV164ARGYR	null
SN74LV165ARGYRG4	null

SN74LV244ARGYR	null
SN74LV541ARGYR	null
SN74LV573ARGYRG4	null
SN74LV595ARGYR	null
SN74LV595ARGYRG4	null
SN74LV74ARGYR	null
SN74LVC00ARGYR	null
SN74LVC02ARGYR	null
SN74LVC04ARGYR	null
SN74LVC06ARGYR	null
SN74LVC07ARGYR	null
SN74LVC07ARGYRG4	null
SN74LVC08ARGYR	null
SN74LVC08ARGYRG4	null
SN74LVC32ARGYR	null
SN74LVC74ARGYR	null
SN74LVC86ARGYR	null
SN74LVC86ARGYRG4	null
SN74LVU04ARGYRG4	null
TS3A5017RGYR	null
TS3A5017RGYRG4	null
TS3L110RGYR	null
TS3V330RGYRG4	null
TS3V340RGYR	null
TS5L100RGYR	null
TXB0104RGYR	null
TXB0104RGYRG4	null
TXB0108RGYR	null

Technical details of this Product Change follow on the next page(s).

<b>PCN Number:</b>	20091102000		<b>PCN Date:</b>	11/10/2009	
<b>Title:</b>	SPQ/MOQ and pack materials change for select devices in the RGY package				
<b>Customer Contact:</b>	<a href="#">PCN Manager</a>	<b>Phone:</b>	+1(214) 480-6037	<b>Dept:</b>	Quality Services
<b>Proposed 1<sup>st</sup> Ship Date:</b>	N/A		<b>Estimated Sample Availability:</b>	Date provided at sample request	
<b>Change Type:</b>					
<input type="checkbox"/>	Assembly Site	<input type="checkbox"/>	Assembly Process	<input type="checkbox"/>	Assembly Materials
<input type="checkbox"/>	Design	<input type="checkbox"/>	Electrical Specification	<input type="checkbox"/>	Mechanical Specification
<input type="checkbox"/>	Test Site	<input checked="" type="checkbox"/>	Packing/Shipping/Labeling	<input type="checkbox"/>	Test Process
<input type="checkbox"/>	Wafer Bump Site	<input type="checkbox"/>	Wafer Bump Material	<input type="checkbox"/>	Wafer Bump Process
<input type="checkbox"/>	Wafer Fab Site	<input type="checkbox"/>	Wafer Fab Materials	<input type="checkbox"/>	Wafer Fab Process

**PCN Details**

**Description of Change:**

The standard pack quantity (SPQ) for the devices in the Product Affected list is changing from 1000 to 3000, The reel and shipping box will also be changing per the table below. The 13" reel and shipping box are currently used at TI assembly sites for devices in other packages. See attachment 'A' for dimensional changes.

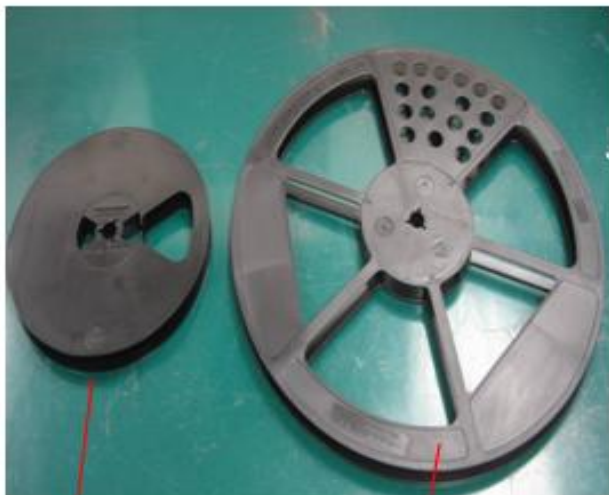
**Change**

**From:      To:**

<u>Desc/ part numbers</u>	7"	13"
SPQ	1000	3000
Reel	4203839-0006	4203160-0011
Ship Box	4206831-0001	4207162-0007



4203839-0006 with 1000 units



4203839-0006

4203160-0011



4203160-0011 with 3000 units

<b>Reason for Change:</b>			
Change SPQ/MOQ for high runner devices.			
<b>Anticipated impact on Fit, Form, Function, Quality or Reliability (positive / negative):</b>			
None.			
<b>Changes to product identification resulting from this PCN:</b>			
None			
<b>Product Affected:</b>			
74AVC4T245QRGYRQ1	SN74AHC02RGYR	SN74AHC04RGYR	SN74AUC04RGYR
AM26LV31EIRGYR	SN74AHC02RGYRG4	SN74AHC04RGYRG4	SN74AUC04RGYRG4
AM26LV31EIRGYRG4	SN74AHC04RGYR	SN74ALVC00RGYR	SN74LV00ARGYR
AM26LV32EIRGYR	SN74AHC04RGYRG4	SN74ALVC00RGYRG4	SN74LV00ARGYRG4
AM26LV32EIRGYRG4	SN74AHC08RGYR	SN74ALVC04RGYR	SN74LV02ARGYR
DAC8831IBRGYR	SN74AHC08RGYRG4	SN74ALVC04RGYRG4	SN74LV02ARGYRG4
DAC8831IBRGYRG4	SN74AHC125RGYR	SN74ALVC08RGYR	SN74LV04ARGYR
DAC8831ICRGYR	SN74AHC125RGYRG4	SN74ALVC08RGYRG4	SN74LV04ARGYRG4
DAC8831ICRGYRG4	SN74AHC132RGYR	SN74AUC00RGYR	SN74LV08ARGYR
DAC8831IRGYR	SN74AHC132RGYRG4	SN74AUC00RGYRG4	SN74LV08ARGYRG4
DAC8831IRGYRG4	SN74AHC138RGYR	SN74AUC02RGYR	SN74LV123ARGYR
DAC8832IBRGYR	SN74AHC138RGYRG4	SN74AUC02RGYRG4	SN74LV123ARGYRG4
DAC8832IBRGYRG4	SN74AHC139RGYR	SN74AUC04RGYR	SN74LV125ARGYR
DAC8832ICRGYR	SN74AHC139RGYRG4	SN74AUC04RGYRG4	SN74LV125ARGYRG4
DAC8832ICRGYRG4	SN74AHC14RGYR	SN74AUC06RGYR	SN74LV138ARGYR
DAC8832IRGYR	SN74AHC14RGYRG4	SN74AUC06RGYRG4	SN74LV138ARGYRG4
DAC8832IRGYRG4	SN74AHC157RGYR	SN74AUC07RGYR	SN74LV139ARGYR
PCA9544ARGYR	SN74AHC157RGYRG4	SN74AUC07RGYRG4	SN74LV139ARGYRG4
PCA9544ARGYRG4	SN74AHC32RGYR	SN74AUC08RGYR	SN74LV14ARGYR
PCA9545ARGYR	SN74AHC32RGYRG4	SN74AUC08RGYRG4	SN74LV14ARGYRG4
PCA9545ARGYRG4	SN74AHC74RGYR	SN74AUC125RGYR	SN74LV163ARGYR
PCA9546ARGYR	SN74AHC74RGYRG4	SN74AUC125RGYRG4	SN74LV163ARGYRG4
PCA9546ARGYRG4	SN74AHC86RGYR	SN74AUC126RGYR	SN74LV164ARGYR
PCA9557RGYR	SN74AHC86RGYRG4	SN74AUC126RGYRG4	SN74LV164ARGYRG4
PCA9557RGYRG4	SN74AHCT00RGYR	SN74AUC14RGYR	SN74LV165ARGYR
PCF8574ARGYR	SN74AHCT00RGYRG4	SN74AUC14RGYRG4	SN74LV165ARGYRG4
PCF8574ARGYRG4	SN74AHCT02RGYR	SN74AUC17RGYR	SN74LV244ARGYR
PCF8574RGYR	SN74AHCT02RGYRG4	SN74AUC17RGYRG4	SN74LV244ARGYRG4
PCF8574RGYRG4	SN74AHCT04RGYR	SN74AUC240RGYR	SN74LV245ARGYR
SN0710020RGYR	SN74AHCT04RGYRG4	SN74AUC240RGYRG4	SN74LV245ARGYRG4
SN65C1167ERGYR	SN74AHCT08RGYR	SN74AUC244RGYR	SN74LV273ARGYR
SN65C1167ERGYRG4	SN74AHCT08RGYRG4	SN74AUC244RGYRG4	SN74LV273ARGYRG4
SN65C1168ERGYR	SN74AHCT14RGYR	SN74AUC245RGYR	SN74LV32ARGYR
SN65C1168ERGYRG4	SN74AHCT14RGYRG4	SN74AUC245RGYRG4	SN74LV32ARGYRG4
SN74ABT125RGYR	SN74AHCT32RGYR	SN74AUC32RGYR	SN74LV373ARGYR
SN74ABT125RGYRG4	SN74AHCT32RGYRG4	SN74AUC32RGYRG4	SN74LV373ARGYRG4
SN74ABT126RGYR	SN74AHCT74RGYR	SN74AUC34RGYR	SN74LV374ARGYR
SN74ABT126RGYRG4	SN74AHCT74RGYRG4	SN74AUC34RGYRG4	SN74LV374ARGYRG4
SN74AHC00RGYR	SN74AHCT86RGYR	SN74AUC74RGYR	SN74LV540ARGYR
SN74AHC00RGYRG4	SN74AHCT86RGYRG4	SN74AUC74RGYRG4	SN74LV540ARGYRG4

<b>Product Affected:</b>			
SN74LV541ARGYR	SN74LVC06ARGYR	SN74LVU04ARGYR	TS3V340RGYRG4
SN74LV541ARGYRG4	SN74LVC06ARGYRG4	SN74LVU04ARGYRG4	TS5L100RGYR
SN74LV573ARGYR	SN74LVC07ARGYR	TPS54620RGYR	TS5L100RGYRG4
SN74LV573ARGYRG4	SN74LVC07ARGYRG4	TS3A4751RGYR	TS5V330RGYR
SN74LV574ARGYR	SN74LVC08ARGYR	TS3A4751RGYRG4	TS5V330RGYRG4
SN74LV574ARGYRG4	SN74LVC08ARGYRG4	TS3A5017RGYR	TXB0104QRGYRQ1
SN74LV595ARGYR	SN74LVC10ARGYR	TS3A5017RGYRG4	TXB0104RGYR
SN74LV595ARGYRG4	SN74LVC10ARGYRG4	TS3A5018RGYR	TXB0104RGYRG4
SN74LV74ARGYR	SN74LVC14ARGYR	TS3A5018RGYRG4	TXB0106RGYR
SN74LV74ARGYRG4	SN74LVC14ARGYRG4	TS3L100RGYR	TXB0106RGYRG4
SN74LVC00ARGYR	SN74LVC32ARGYR	TS3L100RGYRG4	TXB0108RGYR
SN74LVC00ARGYRG4	SN74LVC32ARGYRG4	TS3L110RGYR	TXB0108RGYRG4
SN74LVC02ARGYR	SN74LVC74ARGYR	TS3L110RGYRG4	TXS0104ERGYR
SN74LVC02ARGYRG4	SN74LVC74ARGYRG4	TS3V330RGYR	TXS0104ERGYRG4
SN74LVC04ARGYR	SN74LVC86ARGYR	TS3V330RGYRG4	TXS0108ERGYR
SN74LVC04ARGYRG4	SN74LVC86ARGYRG4	TS3V340RGYR	

For questions regarding this notice, e-mails can be sent to the regional contacts shown below or your local Field Sales Representative.

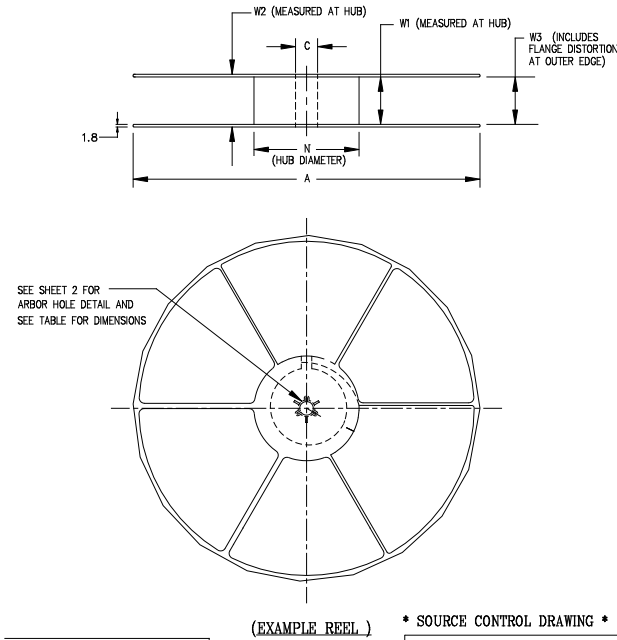
<b>Location</b>	<b>E-Mail</b>
USA	<a href="mailto:PCNAmericasContact@list.ti.com">PCNAmericasContact@list.ti.com</a>
Europe	<a href="mailto:PCNEuropeContact@list.ti.com">PCNEuropeContact@list.ti.com</a>
Asia Pacific	<a href="mailto:PCNAsiaContact@list.ti.com">PCNAsiaContact@list.ti.com</a>
Japan	<a href="mailto:PCNJapanContact@list.ti.com">PCNJapanContact@list.ti.com</a>

**See Attachment A on the following two pages**

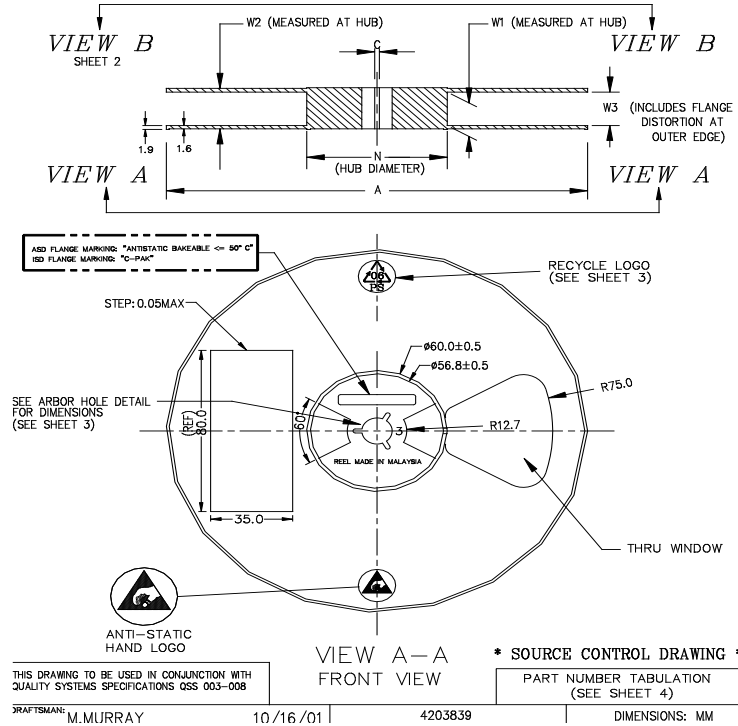


## Attachment 'A'

TI will be changing part number 4203839-0006 for a 7" outer diameter reel to part number 4203160-0011 for a 13" outer diameter reel.



THIS DRAWING TO BE USED IN CONJUNCTION WITH QUALITY SYSTEMS SPECIFICATIONS QSS 003-008		PART NUMBER TABULATION (SEE SHEET 4 & 5)	
DRAFTSMAN: J.FOSTER	05/09/01	4200468	DIMENSIONS: MM
DESIGNER: VENDOR	05/09/01	TEXAS INSTRUMENTS INC. QUALITY SYSTEMS SPECIFICATIONS QSS 003-008	



THIS DRAWING TO BE USED IN CONJUNCTION WITH QUALITY SYSTEMS SPECIFICATIONS QSS 003-008		PART NUMBER TABULATION (SEE SHEET 4)	
DRAFTSMAN: M.MURRAY	10/16/01	4203839	DIMENSIONS: MM

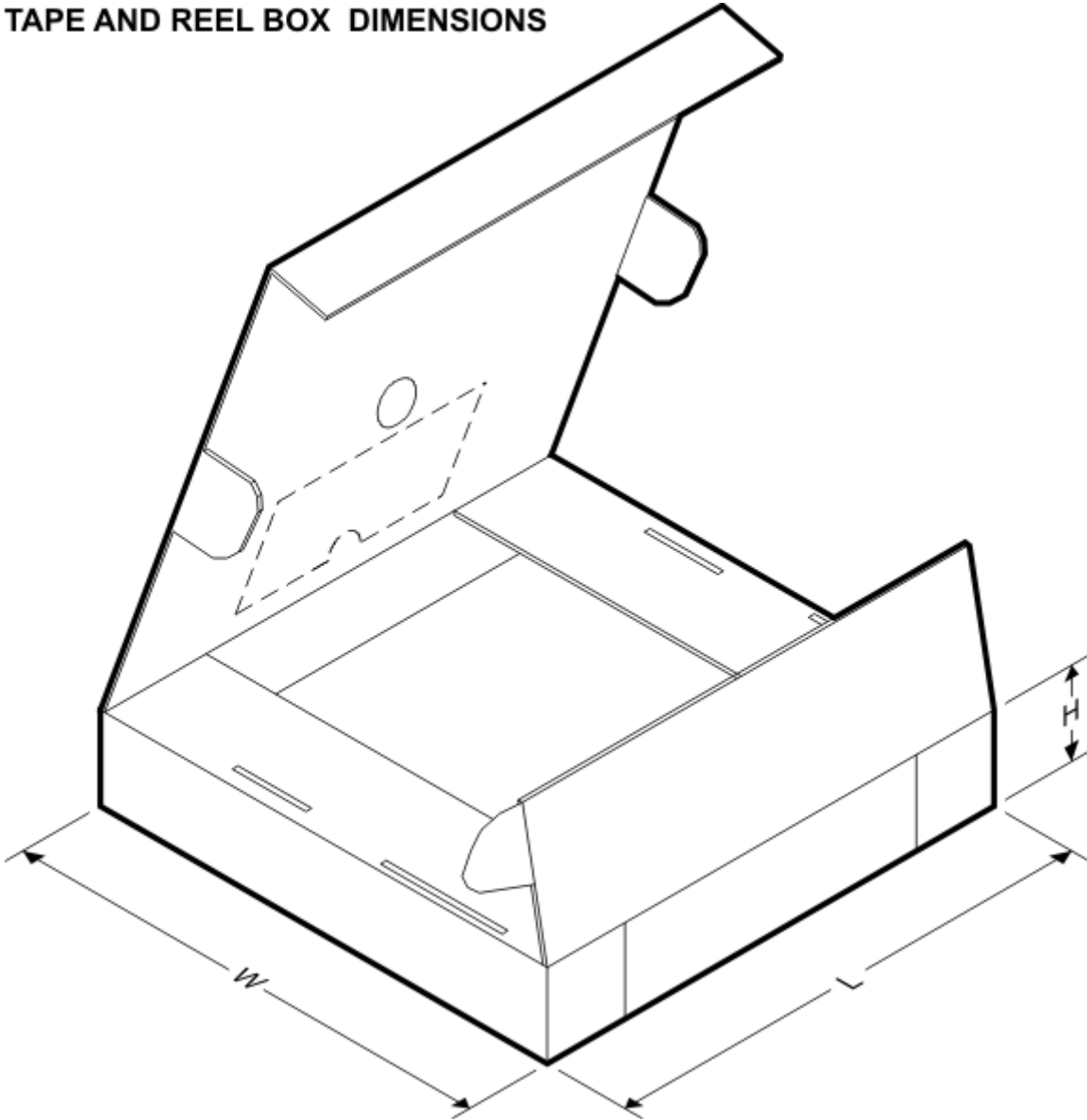
Part#	MATL TYPE	TAPE SIZE (MM)	A (MAX)	B (±0.5)	C (±0.2)	D (MIN)	E (MIN)	N (MIN)	W1 (+2.0/-0.0)	W2 (MAX)	W3 (MIN/MAX)
4203839-0006	ASD	12	180	1.5	13	20.2	2.5	60	12.4	18.4	11.9/15.4
4203160-0011	PS	12	330	2	13	20.8	N/A	100±1.0	12.4	18.4	11.9/15.4

ASD = Anti Static Dipped  
PS = Polystyrene



## Attachment 'A'

### TAPE AND REEL BOX DIMENSIONS



#### Inside Dimensions

Part Number	L (mm)	W (mm)	H (mm)
4206831-0001 (7")	191	213	55
4207162-0007 (13")	346	346	29