

Channel ACTION ALERT!

OMRON

NO: RL-130
DATE: June 2010

PRODUCT: G3MB Solid State Relays
TYPE: Discontinuation Notice

Omron G3MB PCB Solid State Relays will be Discontinued March 30, 2011; Replace with G3MC Models

In order to reduce and consolidate the PCB mount SSR products, the G3MB-102PL and G3MB-202P(L) models will be discontinued on or before March 30, 2011.

Last Order Date: March 25, 2011 (December 30, 2010 for order lines > 1,000 pcs.)

Product Discontinuation

G3MB Series Relays



Recommended Replacement

G3MC Series Relays



Caution on recommended replacement

- The G3MB “4” Models are not footprint compatible with G3MC Models. However, only Terminal 1 for G3MB “4” Models differs.
- Order G3MC-VD for replacement relays stamped with UL, CSA, and VDE Approvals.
- Recommend last time buy date is March 25, 2011 (December 30th, 2010 for 1K pcs. or more).

Difference from discontinued product

Model	Body Color	Dimensions	Footprint	Terminal Width	Without Input Resistor	Safety Approvals	Output Ratings
G3MB-102PL	**	*	**	*	NA	*	**
G3MB-202P	**	*	**	*	NA	*	**
G3MB-202P-4	**	*	^	*	NA	*	**
G3MB-202PL	**	*	**	*	NA	*	**
G3MB-202PEG-4	**	*	^	*	^	*	**
G3MB-202PLEG-4	**	*	^	*	^	*	**

** : Fully compatible


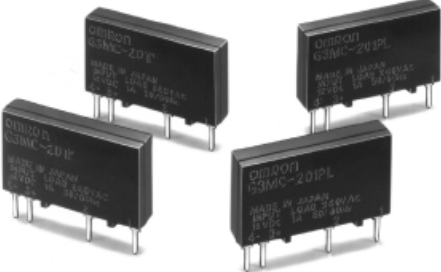
* : The change is a little/Almost compatible

^ : Not compatible

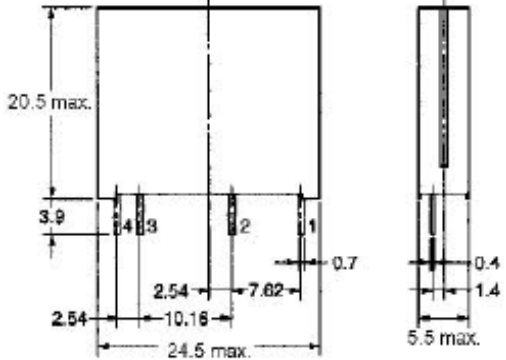
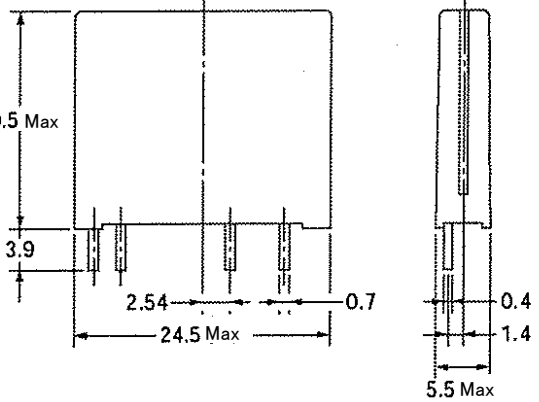
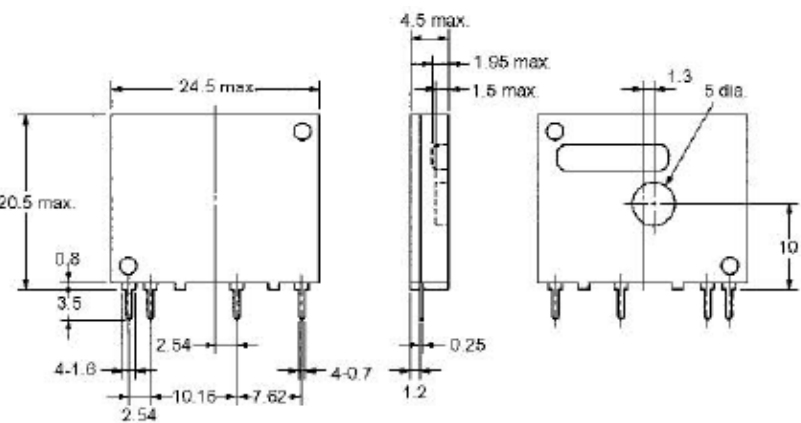
Product Discontinuation and Recommended Replacement

Product discontinuation (G3MB)	Recommended replacement (G3MC)
G3MB-102PL DC12	G3MC-202PL DC12
G3MB-102PL DC24	G3MC-202PL DC24
G3MB-102PL DC5	G3MC-202PL DC5
G3MB-102PL-UTU DC12	G3MC-202PL-VD DC12
G3MB-102PL-UTU DC24	G3MC-202PL-VD DC24
G3MB-102PL-UTU DC5	G3MC-202PL-VD DC5
G3MB-202PL DC5	G3MC-202PL DC5
G3MB-202P DC12	G3MC-202P DC12
G3MB-202P DC24	G3MC-202P DC24
G3MB-202P DC5	G3MC-202P DC5
G3MB-202PL DC12	G3MC-202PL DC12
G3MB-202PL DC24	G3MC-202PL DC24
G3MB-202PL-1 DC12	G3MC-202PL-VD-1 DC12
G3MB-202PLE DC12	-----
G3MB-202PL-UTU DC12	G3MC-202PL-VD DC12
G3MB-202PL-UTU DC24	G3MC-202PL-VD DC24
G3MB-202PL-UTU DC5	G3MC-202PL-VD DC5
G3MB-202P-UTU DC12	G3MC-202P-VD DC12
G3MB-202P-UTU DC24	G3MC-202P-VD DC24
G3MB-202P-UTU DC5	G3MC-202P-VD DC5
G3MB-202P-4 DC12	G3MC-202P DC12
G3MB-202P-4 DC24	G3MC-202P DC24
G3MB-202P-4 DC5	G3MC-202P DC5
G3MB-202PEG-4 DC20MA	-----
G3MB-202PEG-4-UTU DC20MA	-----
G3MB-202PL-4 DC12	G3MC-202PL DC12
G3MB-202PL-4 DC24	G3MC-202PL DC24
G3MB-202PL-4 DC5	G3MC-202PL DC5
G3MB-202PLEG-4 DC20MA	-----
G3MB-202PLEG-4-UTUDC20MA	-----
G3MB-202P-4-UTU DC12	G3MC-202P-VD DC12
G3MB-202P-4-UTU DC24	G3MC-202P-VD DC24
G3MB-202P-4-UTU DC5	G3MC-202P-VD DC5
G3MB-202PL-4-UTU DC12	G3MC-202PL-VD DC12
G3MB-202PL-4-UTU DC24	G3MC-202PL-VD DC24
G3MB-202PL-4-UTU DC5	G3MC-202PL-VD DC5

Body color

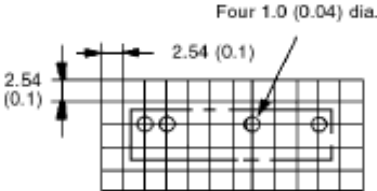
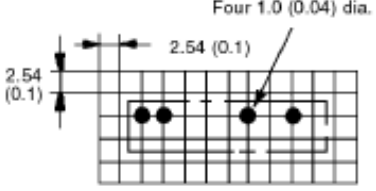
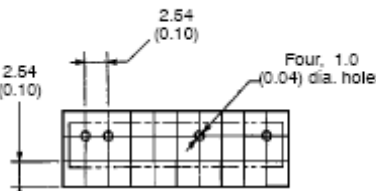
Product discontinuation G3MB	Recommended replacement G3MC
	

Dimensions

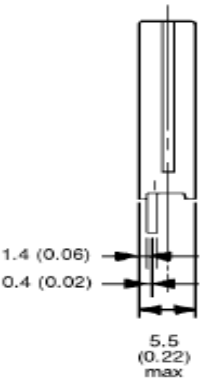
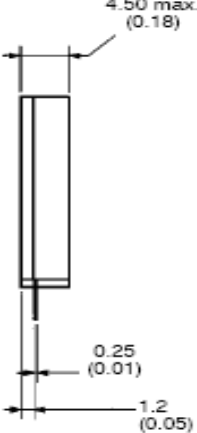
Product discontinuation G3MB-102PL, G3MB-202P(L)	Recommended replacement G3MC-202PL, G3MC-202P(L)
 <p>G3MB-202P(L)-4</p> 	 <p>Closest replacement for G3MB-202P(L)-4 is G3MC-202P(L) but the distance between Output Terminal pins differs (G3MB-4 5.08mm vs. G3MC 7.62mm). The Output Terminal Pins for G3MB-4 and G3MC appear on right side of each part drawing listing length and width dimension.</p>

Footprint

G3MC Footprint is compatible with G3MB but not compatible with G3MB "4" (see below).

Product discontinuation G3MB "4"		Recommended replacement G3MC
<p>G3MB</p> 	<p>G3MB (-4)</p> 	<p>PCB Dimensions (Bottom View)</p> 

Terminal Width

Product discontinuation G3MB	Recommended replacement G3MC
 <p>1.4 (0.06) 0.4 (0.02) 5.5 (0.22) max</p>	 <p>4.50 max. (0.18) 0.25 (0.01) 1.2 (0.05)</p>

G3MB-202P(L)EG-4 DC20MA without Input Resistor

All G3MC Models are currently made with an Input Resistor.
Presently, there is no replacement for G3MB-202P(L)EG-4 DC20MA Relay Types.

Models without Input Resistor

Input specifications	Operating characteristics			
Rated current	Continuous current	Must operate current	Must release current	Operating current
20 mA DC	20 mA DC	7 mA DC max.	1 mA DC min.	7 to 20 mA

LED forward current	50 mA max.
Repetitive peak LED forward current	1 A max.
LED reverse voltage	5 V max.

■ Recommended LED Operating Conditions

Models without Input Resistor

	Min.	Standard	Max.
LED forward current	5 mA	10 mA	20 mA
Must drop voltage	0	—	1 V

Safety Approvals

Product discontinuation G3MB	Recommended replacement G3MC-202P
UL, CSA and EN (TÜV) approval Note: Some UL Ratings differ between G3MB and G3MC.	UL, CSA and EN (VDE) approval Note: G3MC-VD Models have UL, CSA, and VDE stamped on the relays.