



Product Change Notification

| | | | |
|---|--|---------------------|--------|
| Date Issued : | March 02, 2026 | PCN Number : | 517489 |
| Reason for Change : | Equipment Transfer, Production Transfer or Rearrangement | | |
| Description of Change : | This notification is to inform about manufacturing process, raw material, and production location for the 505431 Series will move from Molex Japan to Molex Malaysia to stabilize metal supply. Minor appearance differences may occur (gold plating area, pilot hole, trademark marking) with no impact to fit or function. No changes will be made to product as part of this change and only minor change on plating. | | |
| Assessment of Change : | First Article Inspection | | |
| Planned Implementation Date : | December 31, 2026 | | |
| Customer Sample Availability Date: | April 30, 2026 | | |
| Last date to request Samples by Customer : | April 30, 2026 | | |
| Please note if Samples are not requested as per Customer Samples Request date, it may take additional 4-6 weeks to arrange Samples. | | | |
| Traceability Code Markings / Date : | Factory order number | | |

Before Picture

Overview

- For the 505431 gold-plated terminals, the current manufacturing process and raw material sourcing are performed at Molex Japan. Current metal strip supply sources have a constraints fulfil current metal usage for customer demand of this product.

After Picture

Overview

- For these 505431 gold plated terminals, there will be changes in the manufacturing processes and raw material and the manufacturing location will change from Molex Japan to Molex Malaysia, but these changes do not impact the product's fit and function with reference to the Sales Drawing.
- Reason for change: To stabilize metal supply by changing supplier as well as the manufacturing process
- No change to the product specification.
- Product numbers are remained unchanged.
- 505431-1100, 505431-1200, 505431-1300
- Some appearance change for gold plating coverage around the contact area but no impact to fit and function. Gold coverage for the functional surface area for electrical contact remains the same.
- Additional pilot hole on carrier, and trademark marking changes (refer next slide).
- Implementation by running change to deplete old inventory. Expected to have mix new and old design of this running change period within approximately 3 months to deplete old inventory.
- PCN will be implemented once all required qualification/validation activities are completed and all necessary approvals have been obtained.

2 Molex Confidential Information
© 2016 Molex – All Rights Reserved. Unauthorized Reproduction/Distribution is Prohibited.



RELEASED

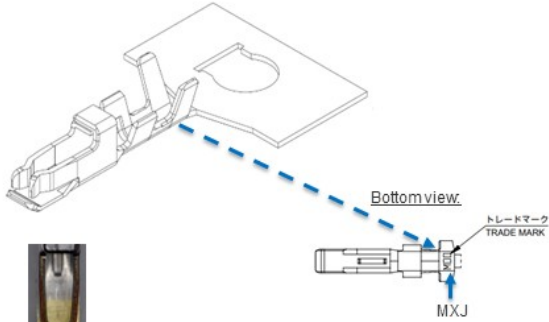
Additional Information :

Product Appearance Change

Before

Overview:

- Existing terminal
- Trademark logo marking = MXJ



Molex Confidential Information
 © 2016 Molex – All Rights Reserved. Unauthorized Reproduction/Distribution is Prohibited.

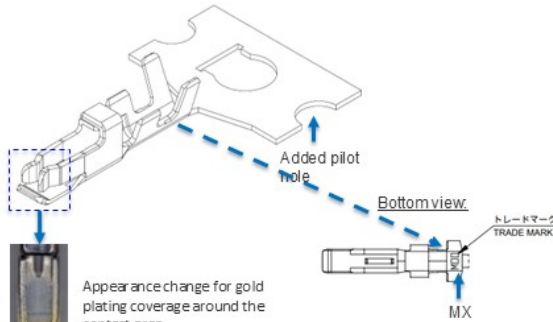
3

3

After

Overview:

- Appearance change for gold plating coverage around the contact area
- Additional pilot hole on carrier
- Trademark logo marking = MX



Appearance change for gold plating coverage around the contact area

molex

RELEASED

You may address inquiries regarding this PCN by clicking on the below link
mailto:pcn_coordinator@molex.com?subject=PCN_Notification:517489
 or contact your Local Sales Engineer.

Note: While responding, please retain " PCN Notification : **PCN Notification: 517489** " in the e-mail Subject line for faster response.

Molex, LLC
 2222 Wellington Court
 Lisle, IL 60532
 TEL (800) 786-6539
www.molex.com