



Product Change Notification

Date Issued :	March 14, 2022	PCN Number :	511648
Reason for Change :	Change Supplier		
Description of Change :	This notification is to inform that a supplier for Molex Lincoln Nebraska is going to change mill sources for raw material impacting the part(s) as per the attached list. No changes will be made to product fit, form or function as part of this change. Change will not result in new supplier, material will still be received by current supplier.		
Assessment of Change :	First Article Inspection		
Planned Implementation Date :	September 14, 2022		
Sample Availability Date:	July 22, 2022		
Internal Molex Qualification Date :	July 22, 2022		
Last date to request Samples by Customer :	August 26, 2022		
Traceability Code Markings / Date :	Product made after planned implementation date can contain the change		

Before Picture

- BladeTerminals

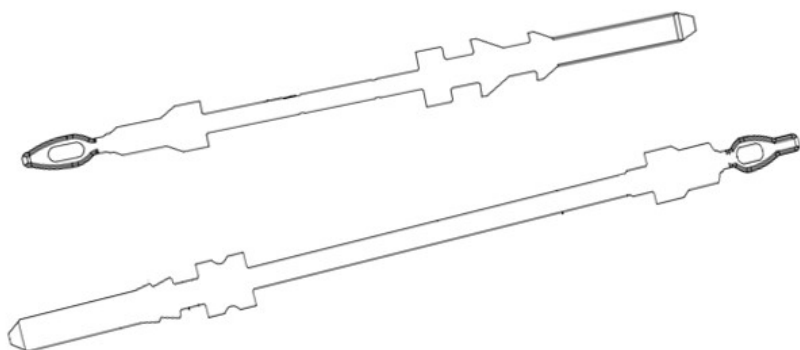


Photo is used as representation of product only.

After Picture

Overview

- Molex supplier is changing mill source for raw material
 - New mill source is a Molex approved source
 - Change only for Molex Lincoln Plant 3104
 - Mill source change will not result in new supplier or new supplier location. Molex Lincoln will still receive raw material from same supplier and same supplier location.

- There is NO impact to Fit, Form or Function

- Samples available upon request after date shown above

- Part Numbers Impacted
 - See attached list

RELEASED

You may address inquires regarding this PCN by clicking on the below link
mailto:pcn_coordinator@molex.com?subject=PCN_Notification:511648
or contact your Local Sales Engineer.

Note: While responding, please retain " PCN Notification : **PCN Notification: 511648** " in the e-mail Subject line for faster response.

[Molex, LLC](#)
2222 Wellington Court
Lisle, IL 60532
TEL (800) 786-6539
www.molex.com