



Part Change Notice

12/10/12

Company: KYCON, Inc.
1810 Little Orchard St.
San Jose, CA 95125
USA
408-494-0330

Re: KDMIX-FS1V-WS-B, KDMIX-FS1V-WS-B30

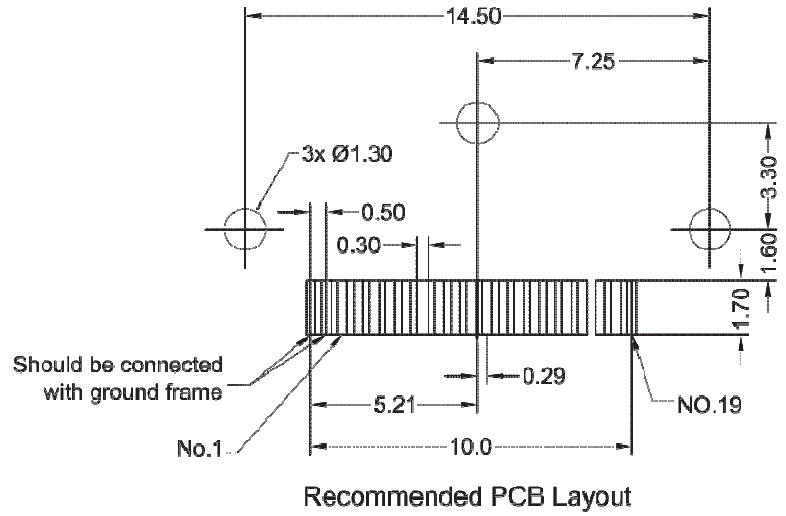
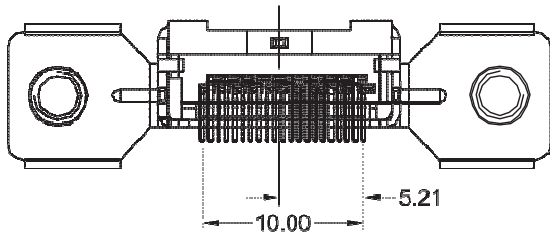
Due to a possible patent issue with the part numbers above, we have made some modifications to our parts. The two dummy pegs have been removed. Please see the illustration below indicating the changes to the part. The function remains the same.

If you require an updated drawing or samples, please contact your sales representative.

Signature:  _____

Name: Jill Scarnecchia Phone: 408-494-0330
Date: 12/10/12

Old Version



New Version

