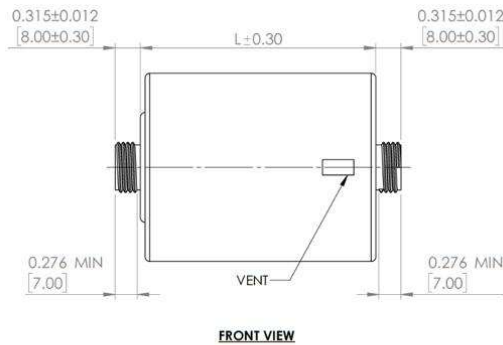


ECN/PCN No.: M1711

For Manufacturer

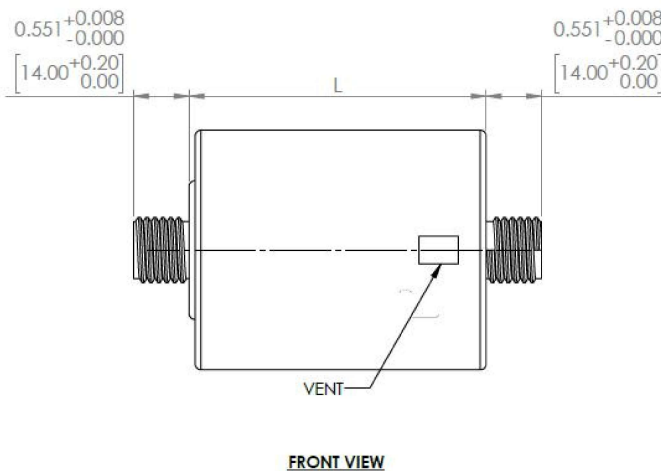
Product Description: HIGH CAPACITANCE SUPERCAPACITORS	Abracon Part Number / Part Series: ADCS-E02R7S	<input type="checkbox"/> Documentation only <input checked="" type="checkbox"/> Series <input checked="" type="checkbox"/> ECN <input type="checkbox"/> Part Number(s) <input type="checkbox"/> EOL
Affected Revision: IR	New Revision: A	Application: <input type="checkbox"/> Safety <input checked="" type="checkbox"/> Non-Safety

Prior to Change:



Dimensions	∅D	L
ADCS-E02R7SA657	2.362[60]	2.165[55]
ADCS-E02R7SA128	2.362[60]	2.952[75]
ADCS-E02R7SA158	2.362[60]	3.346[85]
ADCS-E02R7SA208	2.362[60]	4.133[105]
ADCS-E02R7SA308	2.362[60]	5.511[140]

After Change:



PART NUMBER	∅D±0.5	L±0.5
ADCS-E02R7SA128	2.387[60.5]	2.952[75]
ADCS-E02R7SA158	2.387[60.5]	3.346[85]
ADCS-E02R7SA208	2.387[60.5]	4.133[105]
ADCS-E02R7SA308	2.387[60.5]	5.433[138]

Cause/Reason for Change: Updating mechanical specs to include a new longer M16 stud/screw.		
Change Plan		
Effective Date: 3/26/2026	Additional Remarks:	
Change Declaration: Mechanical changes may affect product fit. These changes do not affect the products performance.		
Issued Date: 3/26/2026	Issued By: <i>Gerald Capwell</i>	Issued Department: Engineering
Approval: <i>Gerald Capwell</i> Director, Engineering	Approval: <i>Reuben Quintanilla</i> Quality Director	Approval: <i>Ying Huang</i> Purchasing Director
For Abracon EOL only		
Last Time Buy (if applicable):	Alternate Part Number / Part Series:	
Additional Approval:	Additional Approval:	Additional Approval:
Customer Approval (If Applicable)		
Qualification Status: <input type="checkbox"/> Approved <input type="checkbox"/> Not accepted <i>Note: It is considered approved if there is no feedback from the customer 1 month after ECN/PCN is released.</i>		
Customer Part Number:	Customer Project:	
Company Name:	Company Representative:	Representative Signature:
Customer Remarks:		