

ECN/PCN No.: M1710

For Manufacturer

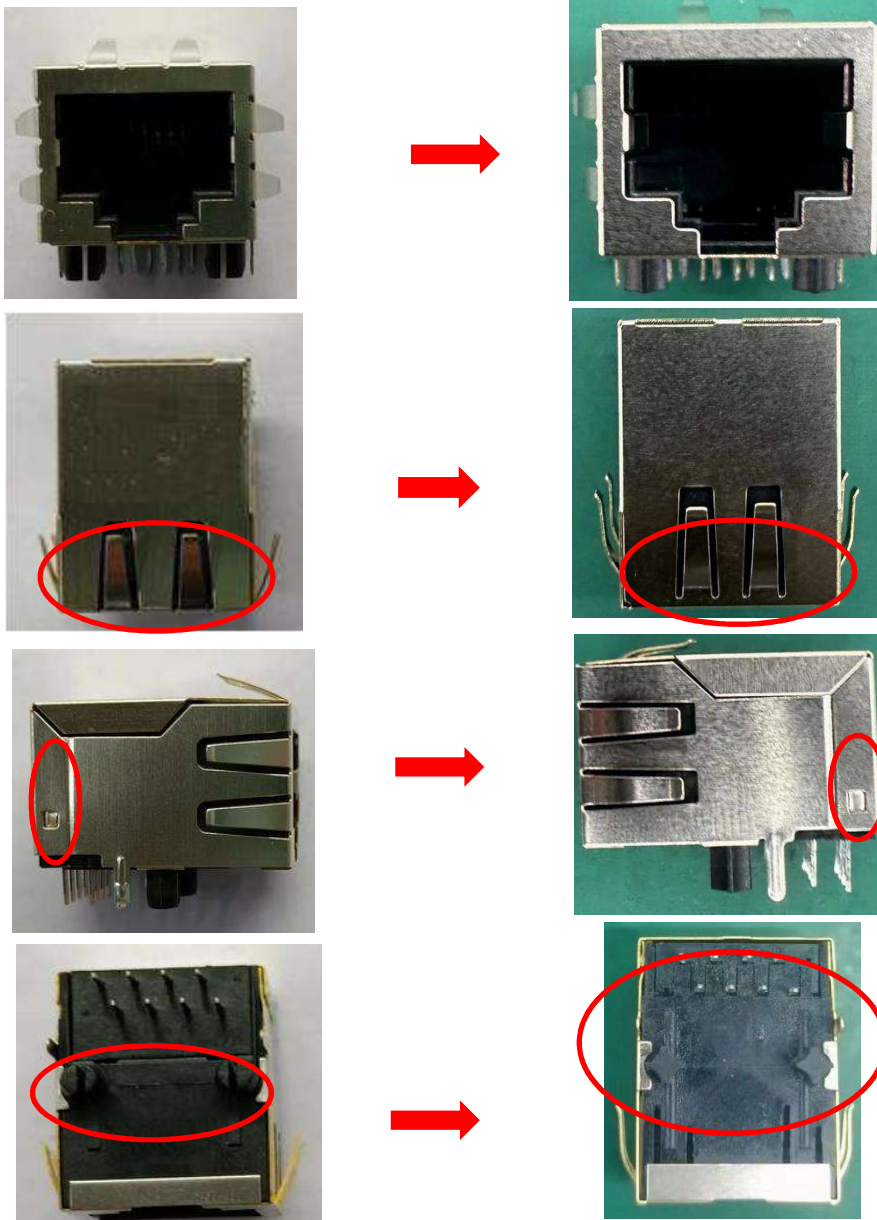
Product Description: RJ45 10/100 Base-T Jack with Magnetic Module	Abracon Part Number / Part Series: ARJ11B Series	<input type="checkbox"/> Documentation only <input checked="" type="checkbox"/> ECN <input type="checkbox"/> EOL	<input checked="" type="checkbox"/> Series <input type="checkbox"/> Part Number(s)
Affected Revision: B	New Revision: C	Application:	<input type="checkbox"/> Safety <input checked="" type="checkbox"/> Non-Safety

Prior to Change:
 Update housing details for ARJ11B-MA

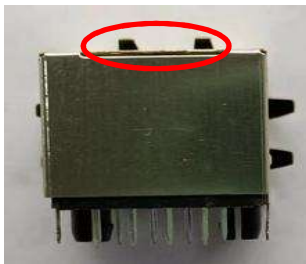
After Change:
 There is some variation in the mechanical Dimentions and Housing look and no change in the electrical characteristics

Before Change:

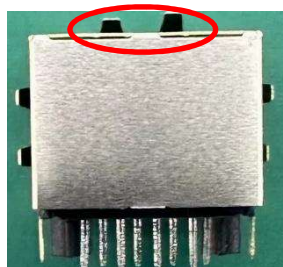
After Change:



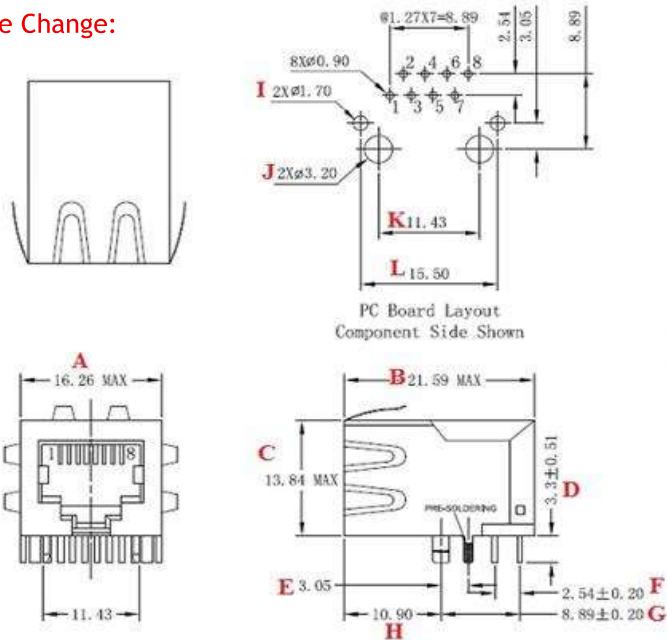
Before Change:



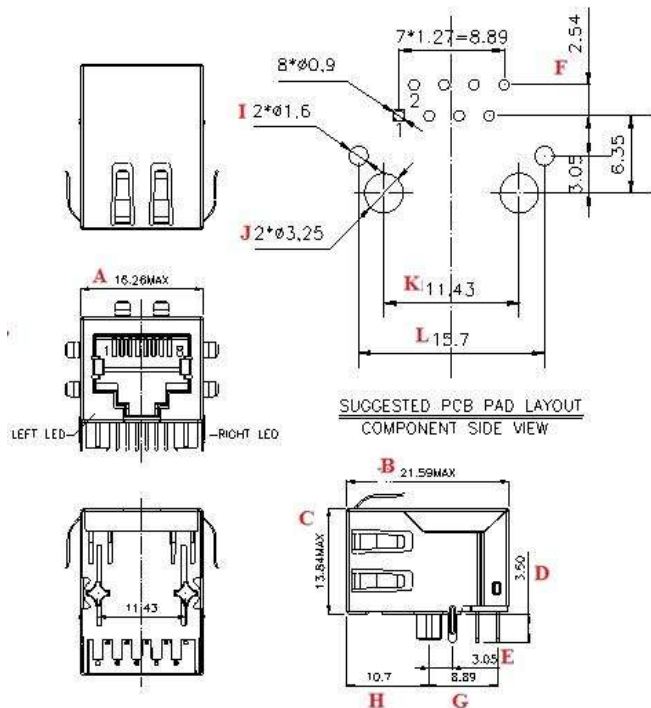
After Change:



Before Change:



After Change:



	Before Change	After Change
D	3.3±0.51	3.5
H	10.9	10.7
I	1.7	1.6
J	3.2	3.25
K	11.43	11.43
L	15.5	15.7

Cause/Reason for Change: New molding was added because the old molding was getting aged		
Change Plan		
Effective Date: 04/07/2026	Additional Remarks:	
Change Declaration: Change in the housing look and Mechanical Dimentions and no change in the electrical aspects		
Issued Date: 04/07/2026	Issued By: <i>Baji suryadevara</i>	Issued Department: Engineering
Approval: <i>Gerald Capwell</i> Director of Engineering (P & M)	Approval: <i>Reuben Quintanilla</i> Quality Director	Approval: <i>Ying Huang</i> Purchasing Director
For Abracon EOL only		
Last Time Buy (if applicable):		Alternate Part Number / Part Series:
Additional Approval:	Additional Approval:	Additional Approval:
Customer Approval (If Applicable)		
Qualification Status: <input type="checkbox"/> Approved <input type="checkbox"/> Not accepted <i>Note: It is considered approved if there is no feedback from the customer 1 month after ECN/PCN is released.</i>		
Customer Part Number:		Customer Project:
Company Name:	Company Representative:	Representative Signature:
Customer Remarks:		