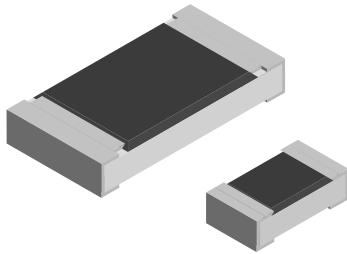


High Precision Thin Film Chip Resistors ± 0.05 %; ± 5 ppm/K



TNPU e3 High Precision Thin Film Flat Chip Resistors combine the proven reliability of TNPW e3 products with a most advanced level of precision and stability. This unique combination makes the product perfectly suited for all applications with outstanding requirements towards size, reliable precision and stability.

FEATURES

- Low temperature coefficient and tight tolerances ($\pm 0.05\%$; ± 5 ppm/K)
- Superior moisture resistivity $\leq 0.25\%$ (85 °C; 56 days; 85 % RH)
- Waste gas resistant
- AEC-Q200 qualified
- Compliant to RoHS directive 2002/95/EC
- Find out more about Vishay's Automotive Grade Product requirements at: www.vishay.com/applications



APPLICATIONS

- Industrial equipment
- Telecommunication
- Medical equipment
- Instrumentation
- Test and measuring equipment
- Automotive

| STANDARD ELECTRICAL SPECIFICATIONS | | | |
|---|--------------------------------|--------------------------------|--------------------------------|
| | TNPU0603 e3 | TNPU0805 e3 | TNPU1206 e3 |
| Metric size | RR 1608M | RR 2012M | RR 3216M |
| Resistance range | 100 Ω to 100 k Ω | 100 Ω to 332 k Ω | 100 Ω to 511 k Ω |
| Resistance tolerance | $\pm 0.1\%$; $\pm 0.05\%$ | | |
| Temperature coefficient | ± 10 ppm/K; ± 5 ppm/K | | |
| Climatic category (LCT/UCT/days) | 55/125/56 | 55/125/56 | 55/125/56 |
| Rated dissipation, P_{70} ⁽¹⁾ | 0.1 W | 0.125 W | 0.25 W |
| Operating voltage, U_{max} . AC/DC | 75 V | 150 V | 200 V |
| Maximum permissible film temperature | 125 °C | 125 °C | 125 °C |
| Thermal resistance ⁽²⁾ | 550 K/W | 440 K/W | 220 K/W |
| Max. resistance change at P_{70} ; $ \Delta R/R $ | | | |
| 1000 h | $\leq 0.05\%$ | $\leq 0.05\%$ | $\leq 0.05\%$ |
| 8000 h | $\leq 0.10\%$ | $\leq 0.10\%$ | $\leq 0.10\%$ |
| 225 000 h | $\leq 0.30\%$ | $\leq 0.30\%$ | $\leq 0.30\%$ |
| Insulation voltage: | | | |
| U_{ins} 1 min | 100 V | 200 V | 300 V |
| Continuous | 75 V | 75 V | 75 V |
| FIT _{observed} | $\leq 0.1 \times 10^{-9}/h$ | $\leq 0.1 \times 10^{-9}/h$ | $\leq 0.1 \times 10^{-9}/h$ |
| Weight/1000 pieces | 2 g | 5.5 g | 10 g |

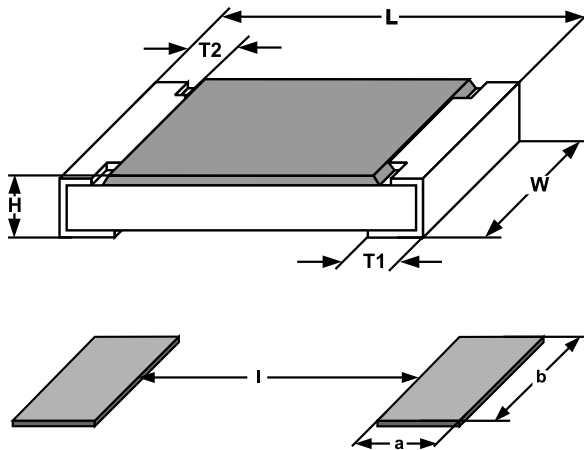
Notes

⁽¹⁾ Rated voltage $\sqrt{P \times R}$. The power dissipation on the resistor generates a temperature rise against the local ambient, depending on the heat flow support of the printed-circuit board (thermal resistance). The rated dissipation applies only if the permitted film temperature is not exceeded.

⁽²⁾ Measuring conditions in accordance with EN 140401-801.



DIMENSIONS



| SIZE | | DIMENSIONS in millimeters | | | | |
|------|--------|---------------------------|-------------|-------------|------------|----|
| INCH | METRIC | L | W | H | T1 | T2 |
| 0603 | 1608 | 1.6 ± 0.10 | 0.85 ± 0.10 | 0.45 ± 0.10 | 0.3 ± 0.20 | |
| 0805 | 2012 | 2.0 ± 0.15 | 1.25 ± 0.15 | 0.45 ± 0.10 | 0.4 ± 0.20 | |
| 1206 | 3216 | 3.2 ± 0.15 | 1.6 ± 0.15 | 0.55 ± 0.10 | 0.5 ± 0.25 | |

| SIZE | | SOLDER PAD DIMENSIONS in millimeters | | | | | |
|------|--------|--------------------------------------|-----|-----|----------------|-----|-----|
| | | REFLOW SOLDERING | | | WAVE SOLDERING | | |
| INCH | METRIC | a | b | l | a | b | l |
| 0603 | 1608 | 0.5 | 0.9 | 1.0 | 0.9 | 0.9 | 1.0 |
| 0805 | 2012 | 0.7 | 1.3 | 1.2 | 0.9 | 1.3 | 1.3 |
| 1206 | 3216 | 0.9 | 1.7 | 2.0 | 1.1 | 1.7 | 2.3 |

| TEMPERATURE COEFFICIENT AND RESISTANCE RANGE | | | | |
|--|------------|---------------------|------------------|-------------|
| TYPE | TCR | TOLERANCE | RESISTANCE VALUE | E-SERIES |
| TNPU0603 e3 | ± 10 ppm/K | ± 0.05 % | 100 Ω to 100 kΩ | E24 to E192 |
| | ± 5 ppm/K | ± 0.1 % ± 0.05 % | | |
| TNPU0805 e3 | ± 10 ppm/K | ± 0.05 % | 100 Ω to 332 kΩ | |
| | ± 5 ppm/K | ± 0.1 % ± 0.05 % | | |
| TNPU1206 e3 | ± 10 ppm/K | ± 0.05 % | 100 Ω to 511 kΩ | |
| | ± 5 ppm/K | ± 0.1 % ± 0.05 % | | |

| PART NUMBER AND PRODUCT DESCRIPTION | | | | | | | | | | | | | | | | | |
|---|--|-----------------------------|---------------------------------------|--------------------------|----------------------------------|---|---|---|---|---|---|---|---|---|---|---|---|
| Part Number: TNPU12061K32AZE00 | | | | | | | | | | | | | | | | | |
| T | N | P | U | 1 | 2 | 0 | 6 | 1 | K | 3 | 2 | A | Z | E | A | 0 | 0 |
| MODEL | VALUE | TOLERANCE | TCR | PACKAGING ⁽¹⁾ | SPECIAL | | | | | | | | | | | | |
| TNPU0603 TNPU0805 TNPU1206 | R = Decimal K = Thousand M = Million (4 digits) | B = ± 0.1 % A = ± 0.05 % | Y = ± 10 ppm/K Z = ± 5 ppm/K | EA EN | Up to 2 digits 00 = Standard | | | | | | | | | | | | |
| Product Description: TNPU1206 1K32 0.05 % T-16 ET1 e3 | | | | | | | | | | | | | | | | | |
| TNPU1206 | 1K32 | 0.05 % | T-16 | ET1 | e3 | | | | | | | | | | | | |
| MODEL | RESISTANCE VALUE | TOLERANCE | TCR | PACKAGING ⁽¹⁾ | LEAD (Pb)-FREE | | | | | | | | | | | | |
| TNPU0603 TNPU0805 TNPU1206 | Examples: 1K32 = 1320 Ω | ± 0.05 % ± 0.1 % | T-13 = ± 10 ppm/K T-16 = ± 5 ppm/K | ET1 E52 | e3 = Pure tin termination finish | | | | | | | | | | | | |

Notes

- Products can be ordered using either the PRODUCT DESCRIPTION or the PART NUMBER.
- (1) Please refer to PACKAGING table.



| PACKAGING | | | | | | | |
|---|-----------------|------------|-------------------------|-----------------|--|--------------------------------|----------------------|
| MODEL | TAPE WIDTH [mm] | PITCH [mm] | REEL DIAMETER [mm/inch] | PIECES PER REEL | PACKAGING CODE FOR PRODUCT DESCRIPTION | PACKAGING CODE FOR PART NUMBER | TYPE OF CARRIER TAPE |
| TNPU0603 e3 TNPU0805 e3 TNPU1206 e3 | 8 | 4 | 180/7 | 1000 | E52 | EN | Paper |
| | | | | 5000 | ET1 | EA | |

DESCRIPTION

Production is strictly controlled and follows an extensive set of instructions established for reproducibility. A homogeneous film of metal alloy is deposited on a high grade Al_2O_3 ceramic substrate and conditioned to achieve the desired temperature coefficient. Specially designed inner contacts are deposited on both sides. A special laser is used to achieve the target value by smoothly fine trimming the resistive layer without damaging the ceramics. A further conditioning is applied in order to stabilize the trimming result. The resistor elements are covered by a protective coating designed for electrical, mechanical and climatic protection. The terminations receive a final pure tin on nickel plating. The result of the determined production is verified by an extensive testing procedure on 100 % of the individual chip resistors. Only accepted products are laid directly into the tape in accordance with **IEC 60286-3** ⁽³⁾.

ASSEMBLY

The resistors are suitable for processing on automatic SMD assembly systems. They are suitable for automatic soldering using wave, reflow or vapour phase as shown in **IEC 61760-1**. The encapsulation is resistant to all cleaning solvents commonly used in the electronics industry, including alcohols, esters and aqueous solutions. The suitability of conformal coatings, if applied, shall be qualified by appropriate means to ensure the long-term stability of the whole system.

The resistors are RoHS compliant, the pure tin plating provides compatibility with lead (Pb)-free and lead-containing soldering processes. The immunity of the plating against tin whisker growth has been proven under extensive testing.

All products comply with the **GADSL** ⁽¹⁾ and the **CEFIC-EECA-EICTA** ⁽²⁾ list of legal restrictions on hazardous substances. This includes full compliance with the following directives:

- 2000/53/EC End of Vehicle life Directive (ELV) and Annex II (ELV II)
- 2002/95/EC Restriction of the use of Hazardous Substances Directive (RoHS)
- 2002/96/EC Waste Electrical and Electronic Equipment Directive (WEEE)

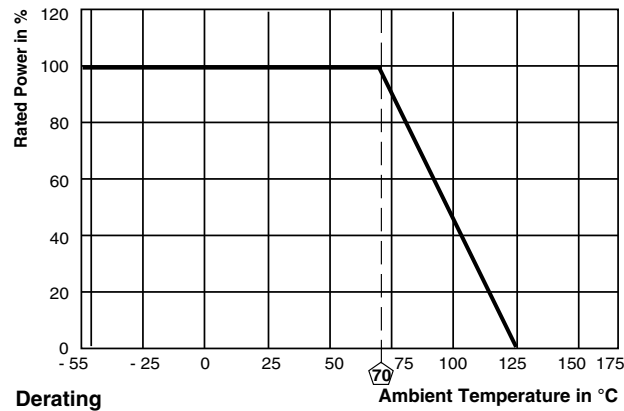
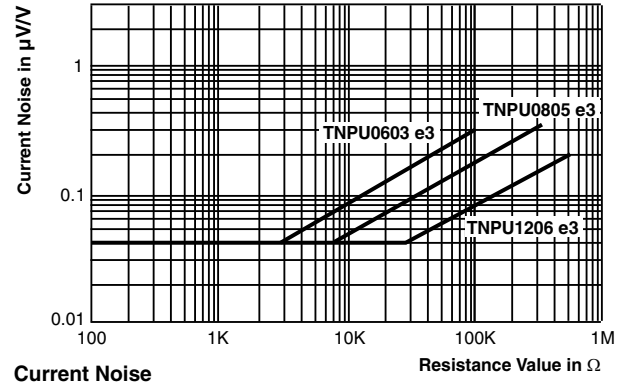
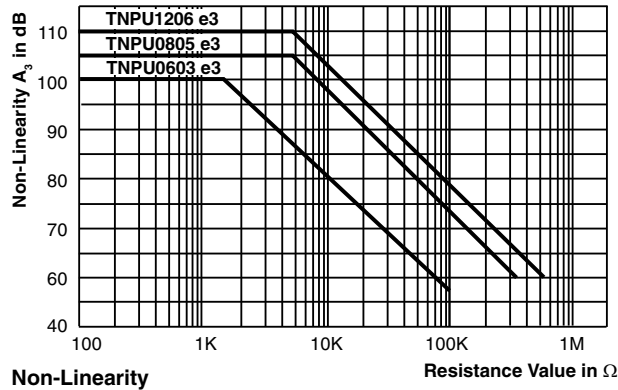
Solderability is specified for 2 years after production or re-qualification. The permitted storage time is 20 years.

Notes

⁽¹⁾ Global Automotive Declarable Substance List, see www.gadsl.org.

⁽²⁾ CEFIC (European Chemical Industry Council), EECA (European Electronic Component Manufacturers Association), EICTA (European trade organisation representing the information and communications technology and consumer electronics), see www.eicta.org → issue → environment policy → chemicals → chemicals for electronics.

⁽³⁾ The quoted IEC standards are also released as EN standards with the same number and identical contents.



TEST AND REQUIREMENTS

All tests are carried out in accordance with the following specifications:

- EN 60115-1, generic specification (includes tests)
- EN 140 400, sectional specification (includes schedule for qualification approval)
- EN 140 401-801, detail specification (includes schedule for conformance inspection)

The following table contains only the most important tests. For the full test schedule refer to the documents listed above. The testing also covers most of the requirements specified by EIA/IS-703 and JIS-C-5202. The tests are carried out in accordance with IEC 60068 and under standard atmospheric conditions in accordance with IEC 60068-1, 5.3. Climatic category LCT/UCT/56 (rated temperature range: Lower category temperature, upper category temperature; damp heat, long term, 56 days) is valid. Unless otherwise specified

the following values apply:

- Temperature: 15°C to 35°C
- Relative humidity: 45 % to 75 %
- Air pressure: 86 kPa to 106 kPa (860 mbar to 1060 mbar).

The components are mounted for testing on boards in accordance with EN 60115-1, 4.31 unless otherwise specified. The parameters stated in the Test Procedures and Requirements table are based on the required tests and permitted limits of EN 140 401-801. However, some additional tests and a number of improvements against those minimum requirements have been included.



| TEST PROCEDURES AND REQUIREMENTS | | | | |
|----------------------------------|----------------------------|---|---|---|
| EN 60115-1 CLAUSE | IEC 60068-2 TEST METHOD | TEST | PROCEDURE | REQUIREMENTS PERMISSIBLE CHANGE |
| | | | Stability for product types: TNPU0603 e3 TNPU0805 e3 TNPU1206 e3 | |
| 4.5 | - | Resistance | | ± 0.1 %; ± 0.05 % |
| 4.8.4.2 | - | Temperature coefficient | At (20/- 55/20) °C and (20/125/20) °C | ± 10 ppm/K; ± 5 ppm/K |
| 4.25.1 | - | Endurance at 70 °C | $U = \sqrt{P_{70} \times R}$ or $U = U_{max.}$; whichever is the less severe; 1.5 h "ON"; 0.5 h "OFF"; 70 °C; 1000 h 70 °C; 8000 h | ± (0.05 % R + 0.01 Ω) ± (0.1 % R + 0.02 Ω) |
| 4.25.3 | - | Endurance at upper category temperature | 125 °C; 1000 h | ± (0.05 % R + 0.01 Ω) |
| 4.24 | 78 (Cab) | Damp heat, steady state | (40 ± 2) °C; 56 days; (93 ± 3) % RH | ± (0.1 % R + 0.01 Ω) |
| 4.23 | | Climatic sequence: | | |
| 4.23.2 | 2 (Ba) | Dry heat | UCT; 16 h | |
| 4.23.3 | 30 (Db) | Damp heat, cyclic | 55 °C; 24 h; > 90 % RH; 1 cycle | |
| 4.23.4 | 1 (Aa) | Cold | LCT; 2 h | |
| 4.23.5 | 13 (M) | Low air pressure | 8.5 kPa; 2 h; 25 ± 10 °C | |
| 4.23.6 | 30 (Db) | Damp heat, cyclic | 55 °C; 5 days; > 95 to 100 % RH; 5 cycles | |
| 4.23.7 | - | D.c. load | $U = \sqrt{P_{70} \times R} \leq U_{max.}$; 1 min LCT = - 55 °C UCT = 125 °C | |
| - | 1 (Aa) | Cold | - 55 °C; 2 h | ± (0.05 % R + 0.01 Ω) |
| 4.19 | 14 (Na) | Rapid change of temperature | 30 min at LCT and 30 min at UCT; LCT = - 55 °C; UCT = 125 °C; 1000 cycles | ± (0.1 % R + 0.01 Ω) |
| 4.13 | - | Short time overload | $U = 2.5 \times \sqrt{P_{70} \times R}$ or $U = 2 \times U_{max.}$; whichever is the less severe; 5 s | ± (0.05 % R + 0.01 Ω) |



| TEST PROCEDURES AND REQUIREMENTS | | | | |
|----------------------------------|----------------------------|------------------------------|--|---|
| EN 60115-1 CLAUSE | IEC 60068-2 TEST METHOD | TEST | PROCEDURE | REQUIREMENTS PERMISSIBLE CHANGE |
| | | | Stability for product types: TNPU0603 e3 TNPU0805 e3 TNPU1206 e3 | |
| 4.22 | 6 (Fc) | Vibration | Endurance by sweeping; 10 Hz to 2000 Hz; no resonance; amplitude ≤ 1.5 mm or ≤ 200 m/s ² ; 6 h | $\pm (0.05\% R + 0.01 \Omega)$ no visible damage |
| 4.17.2 | 58 (Td) | Solderability | Solder bath method; SnPb40; non-activated flux (215 \pm 3) °C; (3 \pm 0.3) s Solder bath method; SnAg3Cu0,5 or SnAg3,5; non-activated flux (235 \pm 3) °C; (2 \pm 0.2) s | Good tinning ($\geq 95\%$ covered); no visible damage |
| 4.18.2 | 58 (Td) | Resistance to soldering heat | Solder bath method; (260 \pm 5) °C; (10 \pm 1) s | $\pm (0.02\% R + 0.01 \Omega)$ |
| 4.29 | 45 (XA) | Component solvent resistance | Isopropyl alcohol + 50 °C; method 2 | No visible damage |
| 4.32 | 21 (Ue ₃) | Shear (adhesion) | RR 1005M and RR 1608M; 9 N RR 2012M and RR 3216M; 45 N | No visible damage |
| 4.33 | 21 (Ue ₁) | Substrate bending | Depth 2 mm, 3 times | $\pm (0.05\% R + 0.01 \Omega)$ no visible damage, no open circuit in bent position |
| 4.7 | - | Voltage proof | $U_{RMS} = U_{INS}$; 60 \pm 5 s | No flashover or breakdown |
| 4.35 | - | Flammability | IEC 60695-11-5, needle flame test; 10 s | No burning after 30 s |
| | - | Damp heat | (85 \pm 5) °C; 56 days (85 \pm 5) % RH | $\pm (0.25 R + 0.05 \Omega)$ |



Disclaimer

ALL PRODUCT, PRODUCT SPECIFICATIONS AND DATA ARE SUBJECT TO CHANGE WITHOUT NOTICE TO IMPROVE RELIABILITY, FUNCTION OR DESIGN OR OTHERWISE.

Vishay Intertechnology, Inc., its affiliates, agents, and employees, and all persons acting on its or their behalf (collectively, "Vishay"), disclaim any and all liability for any errors, inaccuracies or incompleteness contained in any datasheet or in any other disclosure relating to any product.

Vishay makes no warranty, representation or guarantee regarding the suitability of the products for any particular purpose or the continuing production of any product. To the maximum extent permitted by applicable law, Vishay disclaims (i) any and all liability arising out of the application or use of any product, (ii) any and all liability, including without limitation special, consequential or incidental damages, and (iii) any and all implied warranties, including warranties of fitness for particular purpose, non-infringement and merchantability.

Statements regarding the suitability of products for certain types of applications are based on Vishay's knowledge of typical requirements that are often placed on Vishay products in generic applications. Such statements are not binding statements about the suitability of products for a particular application. It is the customer's responsibility to validate that a particular product with the properties described in the product specification is suitable for use in a particular application. Parameters provided in datasheets and/or specifications may vary in different applications and performance may vary over time. All operating parameters, including typical parameters, must be validated for each customer application by the customer's technical experts. Product specifications do not expand or otherwise modify Vishay's terms and conditions of purchase, including but not limited to the warranty expressed therein.

Except as expressly indicated in writing, Vishay products are not designed for use in medical, life-saving, or life-sustaining applications or for any other application in which the failure of the Vishay product could result in personal injury or death. Customers using or selling Vishay products not expressly indicated for use in such applications do so at their own risk and agree to fully indemnify and hold Vishay and its distributors harmless from and against any and all claims, liabilities, expenses and damages arising or resulting in connection with such use or sale, including attorneys fees, even if such claim alleges that Vishay or its distributor was negligent regarding the design or manufacture of the part. Please contact authorized Vishay personnel to obtain written terms and conditions regarding products designed for such applications.

No license, express or implied, by estoppel or otherwise, to any intellectual property rights is granted by this document or by any conduct of Vishay. Product names and markings noted herein may be trademarks of their respective owners.

Material Category Policy

Vishay Intertechnology, Inc. hereby certifies that all its products that are identified as RoHS-Compliant fulfill the definitions and restrictions defined under Directive 2011/65/EU of The European Parliament and of the Council of June 8, 2011 on the restriction of the use of certain hazardous substances in electrical and electronic equipment (EEE) - recast, unless otherwise specified as non-compliant.

Please note that some Vishay documentation may still make reference to RoHS Directive 2002/95/EC. We confirm that all the products identified as being compliant to Directive 2002/95/EC conform to Directive 2011/65/EU.