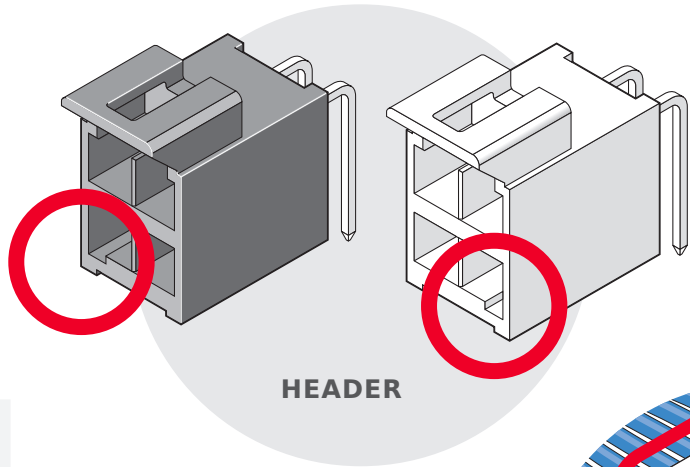


ULTRA-FIT™ POWER CONNECTORS >

Eliminate same-circuit-size cross-mating, optimize space savings and reduce terminal backout with low mating force, high-density Ultra-Fit™ Power Connectors.

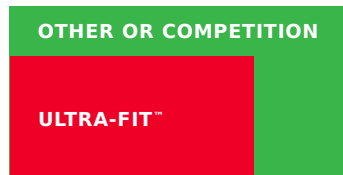


HEADER

1
**VIRTUALLY
NO CHANCE
OF CROSS-MATING**

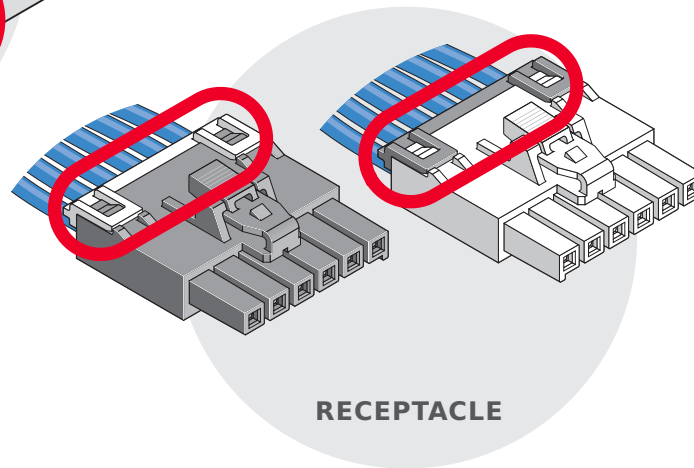
Mechanical keying options
Color-coded mechanical keying options

2
**SIMILAR PRODUCTS
CAN REQUIRE A
71% LARGER
PCB FOOTPRINT**



3
**PREVENTS
ASSEMBLY
ERRORS**

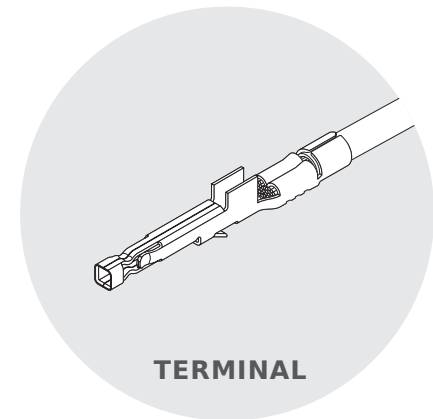
TPA retainer ensures proper terminal seating



RECEPTACLE

4
**EXTREMELY
LOW MATING
FORCE**

As low as 1/3 of similarly capable products



TERMINAL

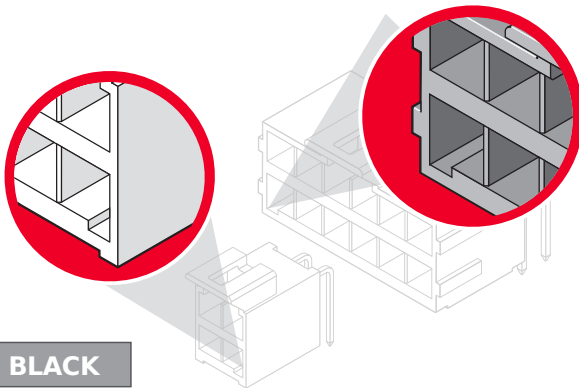
molex®



Functionality

Bigger is not always better.

Ultra-Fit™ Power Connectors provide up to 14.0A while requiring less than half the PCB footprint of similar power connectors. This streamlined design creates space savings and allows for smaller, more efficient packaging without sacrificing current density.



BLACK

NATURAL

UP TO
14.0A
on 3.50mm pitch

Simplicity

Ultra-Fit™ Power Connectors provide color-coded mechanical keying to make same-circuit size cross-mating virtually impossible. Extremely low mating forces reduce operator fatigue.

Solving Design Challenges

Solving four key design challenges while offering the premium housing features of proven Mini-Fit® and Micro-Fit 3.0™ connector systems, Ultra-Fit™ Power Connectors provide an unrivaled selection of options that fit into nearly any design.



Cross out cross-mating with Ultra-Fit™ Power Connectors

➤ For more information, visit www.molex.com/link/ultrafit.html