

# PRODUCT DATASHEET

## Tina2-Jade series



<b>Ordering number</b>	<b>CA12346</b>		
<b>Description</b>	<b>CA12346_Tina2-AJ-RS-WHT</b>		
Family	Tina2	FWHM	15 degrees
Type	Lens	Efficiency	92 %
LED	Jade	cd/lm	-
Color	White	Gerber File	Available
Diameter	16.1 mm		
Height	9.5 mm		
Style	Round		
Optic Material	PMMA		
Holder Material	PC		
Fastening	Tape		
Status	Ready		



<b>Ordering number</b>	<b>CA12347</b>		
<b>Description</b>	<b>CA12347_Tina2-AJ-D-WHT</b>		
Family	Tina2	FWHM	17 degrees
Type	Lens	Efficiency	92 %
LED	Jade	cd/lm	-
Color	White	Gerber File	Available
Diameter	16.1 mm		
Height	9.5 mm		
Style	Round		
Optic Material	PMMA		
Holder Material	PC		
Fastening	Tape		
Status	Ready		



<b>Ordering number</b>	<b>CA12348</b>		
<b>Description</b>	<b>CA12348_Tina2-AJ-M-WHT</b>		
Family	Tina2	FWHM	30 degrees
Type	Lens	Efficiency	89 %
LED	Jade	cd/lm	-
Color	White	Gerber File	Available
Diameter	16.1 mm		
Height	9.5 mm		
Style	Round		
Optic Material	PMMA		
Holder Material	PC		
Fastening	Tape		
Status	Ready		

<b>Ordering number</b>	<b>CA12349</b>		
<b>Description</b>	<b>CA12349_Tina2-AJ-O-WHT</b>		
Family	Tina2	FWHM	36+18 degrees
Type	Lens	Efficiency	92 %
LED	Jade	cd/lm	-
Color	White	Gerber File	Available
Diameter	16.1 mm		
Height	9.5 mm		
Style	Round		
Optic Material	PMMA		
Holder Material	PC		
Fastening	Tape		
Status	Ready		



## PRODUCT DATASHEET Tina2-Jade series

<b>Ordering number</b>	<b>CA12350</b>		
<b>Description</b>	<b>CA12350_Tina2-AJ-W-WHT</b>		
Family	Tina2	FWHM	51 degrees
Type	Lens	Efficiency	92 %
LED	Jade	cd/lm	-
Color	White	Gerber File	Available
Diameter	16.1 mm		
Height	9.5 mm		
Style	Round		
Optic Material	PMMA		
Holder Material	PC		
Fastening	Tape		
Status	Ready		

**NOTE: The typical divergence will be changed by different color, chip size and chip position tolerance. The typical total divergence is the full angle measured where the luminous intensity is half of the peak value.**



## PRODUCT DATASHEET Tina2-Jade series

### GENERAL INFORMATION

- Product series especially designed & optimized for Jade series of LEDs.
- Special care taken to make light distribution as uniform as possible.
- Lens material optical grade PMMA with high UV and temperature resistance (105 degrees of Celcius / 220 degrees of Fahrenheit). Allows use of high current and temperature conditions.

Please find more information about used material from below:

[http://ledil.fi/sites/default/files/Documents/Technical/Material/PMMA%20N%20UL94\\_Yellow%20Card.pdf](http://ledil.fi/sites/default/files/Documents/Technical/Material/PMMA%20N%20UL94_Yellow%20Card.pdf)

<http://ledil.fi/sites/default/files/Documents/Technical/Material/PMMA%20N%20PLEXIGLAS-Datasheet.pdf>

- Optic holder molded by high quality PC material (120 dergees of Celcius / 248 degrees of Fahrenheit).

- Fastening to heat sink with a PU foam adhesive tape of automotive grade. Please find fastening details by clicking link: [http://www.ledil.com/datasheets/DataSheet\\_TAPE.pdf](http://www.ledil.com/datasheets/DataSheet_TAPE.pdf)

**NOTE 1: We advise customer to ensure the suitability and sufficiency of the bond in the end product. For example, mechanical stress, vibration and holes on the surface of the circuit board weaken the strength of the tape.**

**NOTE 2: Assembly to the surface must be made straight, so the tape bonds constant and balanced with fastening surface. Slanted assembly might cause unbalanced bond to the surface. All surfaces where tape is applied must be clean, dry and free from grease and dirt.**

**If cleaning of PCB surfaces is needed, please follow strictly the cleaning instructions of your LED manufacturer - this is important as cleaning shall under no circumstances damage LEDs or other electronics components on the PCB.**

**Further note that optical components shall not be cleaned with any chemicals - only micro fiber cloth may be used to remove fingerprints or other traces from handling.**

D

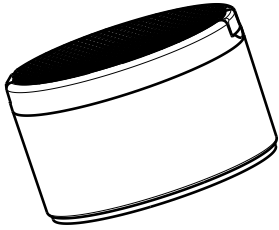
C

B

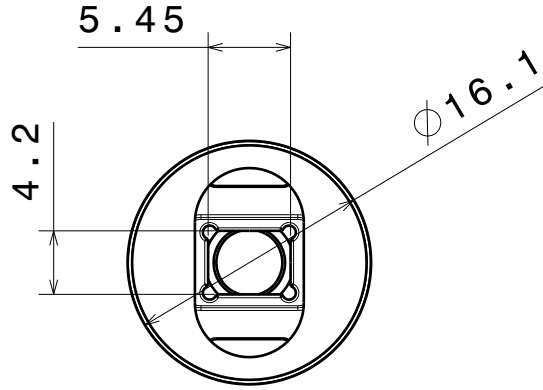
A

4

4



Isometric view



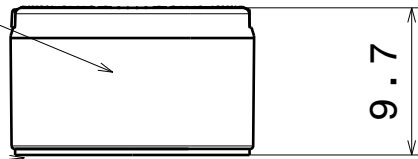
Bottom view

3

3

Lens + holder

Tape 0.4mm



Front view

2

2

Material: Holder PC White  
 Lens : PMMA

1

1

This drawing is our property.  
 It can't be reproduced  
 or communicated without  
 our written agreement.



Ledil Oy  
 Salorankatu 10  
 FIN-24100 SALO  
 Finland

DRAWING TITLE

Datasheet Tina2-AJ-WHT series

DRAWN BY  
 ah

DATE  
 23.12.2011

CHECKED BY  
 sn

DATE  
 23.12.2011

SIZE  
 A4

DRAWING NUMBER

REV  
 1

DESIGNED BY  
 ah

DATE  
 17.8.2011

SCALE

2:1

WEIGHT (g)

1.5

SHEET

1/1

D

A