

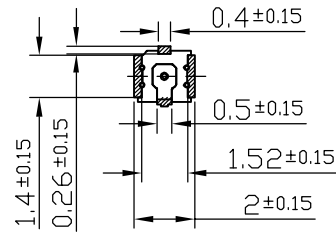
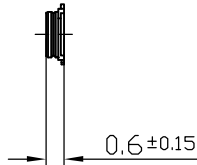
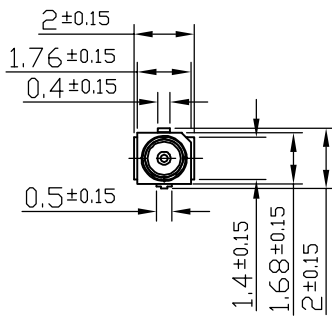
ISO NO: EDW-11-8-647

REV	ZONE	DESCRIPTION	ENG	APPROVED	ISSUED DATE
△	ALL	Initial Design	Kiwi		2011/11/7

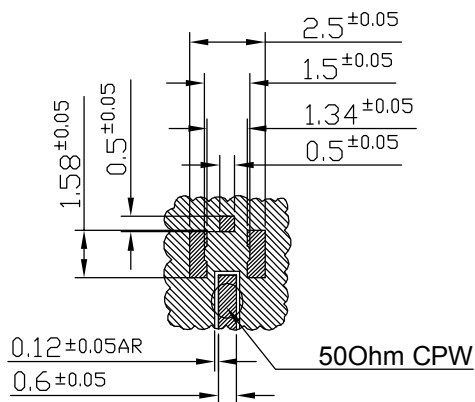
Top

Side

Bottom



PCB Footprint

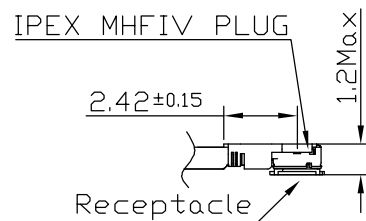


- Note:
- 1. Soldered Area
  - 2. Solder Mask
  - 3. Clearance Area
  - 4. PCB Thickness 0.4mm

Note:

1. BOM No: 204411K0000XXA

Mated View



UNLESS OTHERWISE SPECIFIED TOLERANCES ON:  
 .X ± 1.0  
 .XX ± 0.5  
 .XXX ± 0.1  
 X ± 3.0

DATE: 2011/11/7

MAT'L: Brass

UNIT: mm

FINISH: Gold

THIRD ANGLE PROJECTION

SCALE: 4/1



TW Design Centre  
 This drawing and its inherent design concepts are property of Taoglas. Not to be copied or given to third parties without the written consent of Taoglas.

REV

A

APPROVED BY: CHECKED BY: DRAWN BY: CUSTOMERS SIGNATURE / DATE

Kiwi

TITLE: IPEX MHFIV Receptacle

PART NO: RECE.20449.001E.01