



Mar-22-2011

WLAN+BT: PCB 88W8787 Module – Dual Band

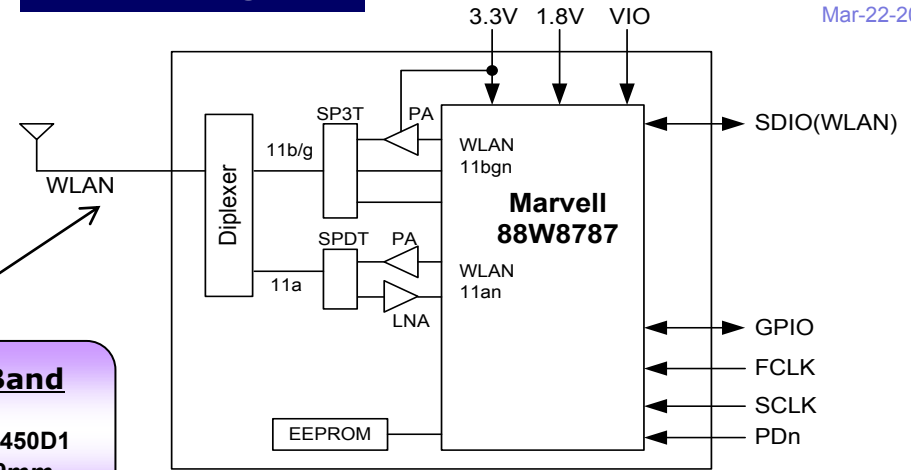
Features

WYSBMVGX4

WAPI, Wi-Fi-Direct, Mobile Hot Spot

Block Diagram

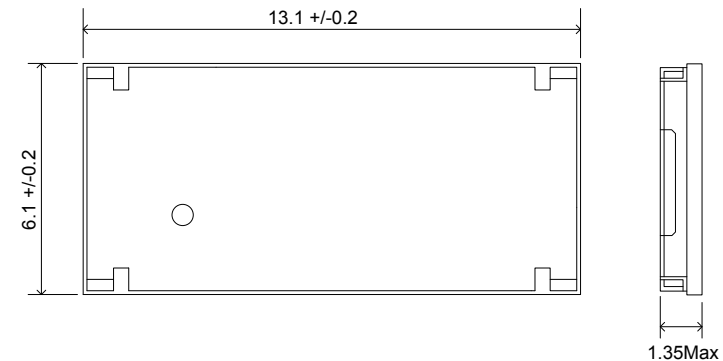
- IEEE802.11a/b/g/n standard conformity
- Low standby current (with advanced power save and sleep mode)
- Transmit speed : 11/5.5/2/1 Mbps(11b), 54/48/36/24/18/12/9/6 Mbps(11a/g), 150~6.5 Mbps (11n)
- Channel Number : 1 to 13 channel (11bg), W52/W53/W56(11a)
- Interface : SDIO
- Multi Clock support: (19.2), 26, 38.4 MHz
- Built-in EEPROM, Diplexer, 2G-PA, 5G-PA, 5G-LNA
- Security : WEP (64/128), TKIP, AES, WPA/WPA2,WAPI
- Small Outline : 13.1 x 6.1 x 1.35(Max) mm
- Package: Metal case package
- RoHS Conformity



General Electrical Specification

Parameter	Description	Min.	Typ.	Max.	Units
Operation Voltage	Core_3.3V	3.2	3.3	3.6	V
	Core_1.8V	1.71	1.8	1.89	V
	VIO	1.62/2.97	1.8/3.3	1.98/3.63	V
TX Output Power (11b/g/n) (11a)	2G:11b/11g/11n-MCS7-40M 5G:11a/11n-MCS7-40M		16/15/14 14/13		dBm
RX Sensitivity (11b/g/n) (11a)	2G:11b/11g/11n-MCS7-40M 5G:11a/11n-MCS7-40M		-87/-74/-67 -75/-70	-84/-71/-64 -72/-67	dBm
TX Power Consumption	11b/11M (Duty45%)		520		mW
RX Power Consumption	11n/MCS7-HT40		242		mW
Power Consumption	Deep Sleep Mode VIO3.3V/VIO1.8V		3.0 / 0.81		mW
General Operation Temperature Range		-10	25	70	deg-C

Outline



Unit: mm

Note: The above PRELIMINARY data are not guaranteed and are subject to change without notice. The Bluetooth® word mark and logos are owned by the Bluetooth SIG, Inc. and any use of such marks by TAIYO YUDEN CO.,LTD. is under license.