



## Introducing SOLARLOK Z-Rail Junction Box

This SOLARLOK z-rail junction box is used for terminating the foils of crystalline PV panels with welding, soldering or clamping. The junction box breaks through limitations on installation area due to enhanced design materials that, compared to similar products, allow for a 35 percent increase in operation temperatures, from - 40 to 115 degrees Celsius. The SOLARLOK z-rail junction box offers durable components for outdoor environments, as well as excellent thermal management that reduces the stress on the materials, extends the life of the product and increases its reliability in outdoor settings.

### KEY FEATURES

- Special rail design for exchangeable diodes
- Proven material to withstand harsh environment
- Amonia- and salt water-resistant
- Rails available for clamped, welded or soldered foil termination

### APPLICATIONS

- For terminating the foils on crystalline PV panels
- Ready to be used in both soldered and non-soldered applications

### MATERIALS

- Contact rail: tin plated copper alloy
- Cover and base housing: PPE (polyphenyl ether)

### SPECIFICATIONS

- Application specification # 114-13303
- Product Specification # 108-2471
- Instruction Sheet # 408-10417

### ELECTRICAL

- Isc up to 13A
- Rated voltage 1,000 V (TÜV) / 600 V (UL)
- IEC 61215 ed.2 (VDE 0126-5) approval, pending
- UL 1703 approval, pending

### MECHANICAL

- Overall junction box size 135 x 115 x 22.5 mm
- Operating temperature: -40 °C to +115 °C
- Ingress Protection Rating: IP 65
- Applicable cable: 4 mm<sup>2</sup> (AWG 12)

### PRODUCT OFFERING

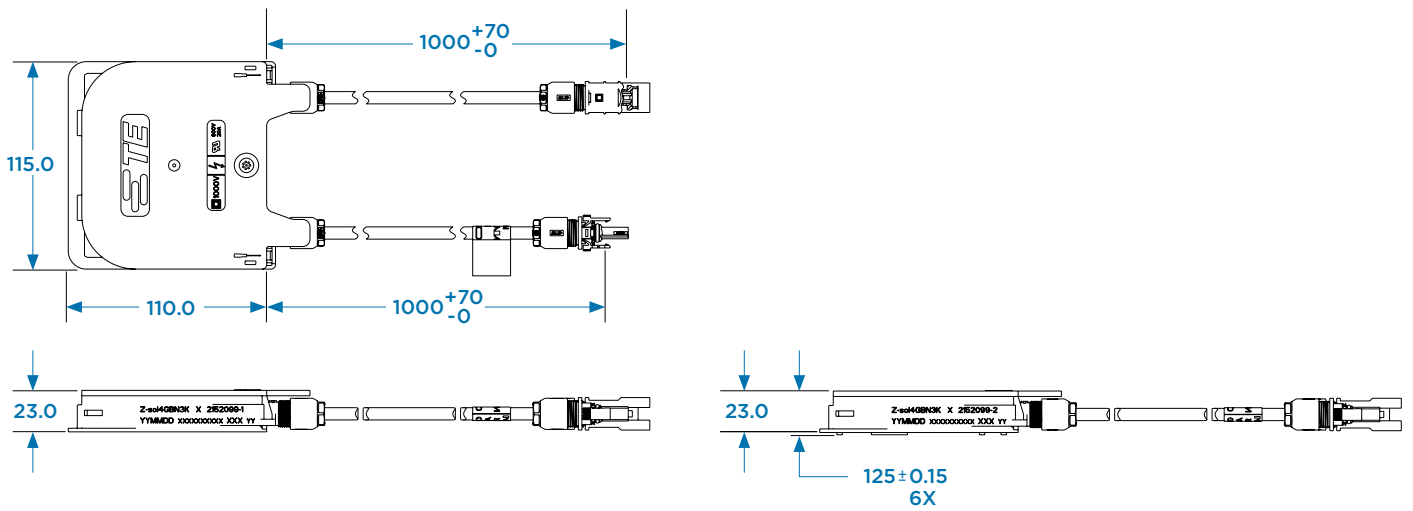
Part Number	Description
Y-2152080-X	Clamp Version
Y-2152099-X	Solder Version
Y-2152177-X	Weld Version

### APPLICATION TOOLING

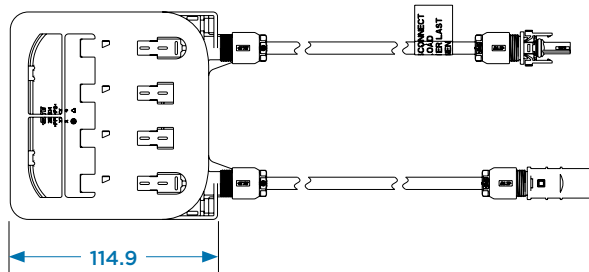
Part Number	Description
5-1579002-0	Pliers
5-1579002-1	Pneumatic tool



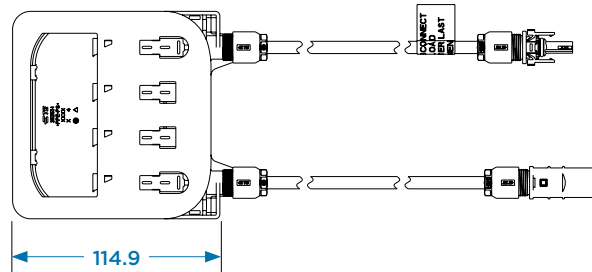
PRODUCT DIMENSIONS (in mm)



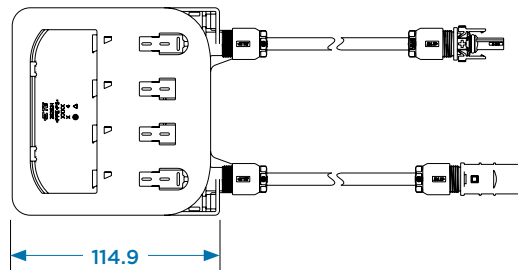
SOLDERED VERSION POTTED



CLAMP VERSION



WELDED VERSION



While TE has made every reasonable effort to ensure the accuracy of the information in this brochure, TE does not guarantee that it is error-free, nor does TE make any other representation, warranty or guarantee that the information is accurate, correct, reliable or current. TE reserves the right to make any adjustments to the information contained herein at any time without notice. TE expressly disclaims all implied warranties regarding the information contained herein, including, but not limited to, any implied warranties of merchantability or fitness for a particular purpose. The dimensions in this catalog are for reference purposes only and are subject to change without notice. Specifications are subject to change without notice. Consult TE for the latest dimensions and design specifications.

