



## SOLARLOK

Connectivity Systems for PV Manufacturers



## Building a greener tomorrow

TE Connectivity is committed to bringing the promise of renewable energy to the world. The SOLARLOK product offering provides a simple and reliable interconnection of solar systems. TE has worked with leaders in the solar industry to lower costs, increase reliability, and devise new and innovative ways to create and apply solar products.

# Early involvement pays off in competition advantage

With approximately 7,000 engineers and 11 global design centers, plus manufacturing facilities in approximately 25 countries, we put a premium on innovation when it comes to helping companies solve tough design problems. Talking to us early on in your design cycle will give you the full benefit of our expertise.

## We can help you:

Shorten the design cycle

Reduce costs

Increase reliability

Design for manufacturability

In short, we can help you achieve a sustainable competitive advantage. Whether it's showing you the best existing products, offering a value added solution or designing a new product, our commitment to advanced engineering and world-class manufacturing delivers innovation that can advance any solar project. Our Electronic Components segment is a world leader in passive electronic components, including connectors and interconnect systems, relays, switches, circuit protection devices, touchscreens, sensors, and wire and cable. TE's ability to serve your present and future requirements is realized through the synergies of a strong R&D program and our expertise in materials science, product design and process engineering, all supported by our network of 5000-plus knowledgeable, sales representatives and customer service personnel.



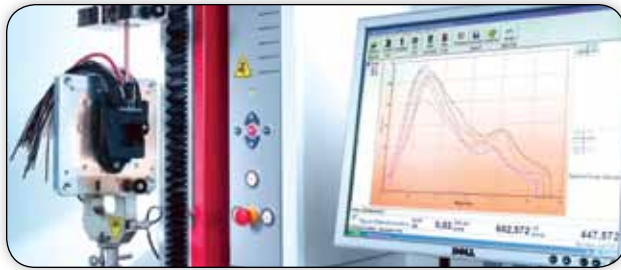
### TE Global Design Centers

- 1 : Harrisburg, PA : USA
- 2 : Greensboro/Winston-Salem, NC : USA
- 3 : Menlo Park, CA : USA
- 4 : Wilsonville, OR : USA
- 5 : Eatontown, NJ : USA
- 6 : Kawasaki, Japan
- 7 : Bensheim, Germany
- 8 : Shanghai, China
- 9 : Kessel-Lo, Belgium
- 10 : s'Hertogenbosch, Netherlands
- 11 : Kyungsan, Korea

### Solar Manufacturing Facilities

- A : Trutnov, Czech Republic
- B : Greensboro, NC : USA
- C : Empalme, Mexico
- D : Hermosilla, Mexico
- E : DongGuann, China
- F : Shanghai, China
- G : QingDao, China

### Mechanical, Environmental and Electrical Testing Capabilities



#### Mechanical Testing Equipment

Force-deflection curves are generated to verify that spring contact properties meet design criteria.



#### Electrical and Thermal Test Equipment

Contact resistance and temperature rise are measured and recorded automatically. These parameters help to establish/verify current carrying capacity, and de-rating curves. Test samples are isolated to minimize the influence of external variables such as air movement.



#### Climate cabinets and temperature shock chambers

Components/assemblies are exposed to cold, heat, moisture, and temperature change. Thermal shock is accomplished with the 2-chamber method. Environmental chambers operate from  $-70^{\circ}\text{C}$  to  $+180^{\circ}\text{C}$  enabling simulation of real-world conditions.



#### 4-component pollutant gas unit/crimp validation

Slow-motion bending and vibration testing simulates line movements in the wire, stressing the crimped termination. Industrial atmospheres are generated with a gas mixture of  $\text{SO}_2$ ,  $\text{H}_2\text{S}$ ,  $\text{NO}_2$  and  $\text{Cl}_2$ .



#### 3D X-ray computer tomography

3D X-ray computer tomography provides high resolution three-dimensional non-destructive analysis capability.

### Manufacturing Capabilities

**TE manufactures the SOLARLOK product line on state of the art manufacturing equipment.**

The Trutnov, Czech Republic facility offers a repeatable manufacturing process which produces a 100% automatically inspected and electrically tested junction box. For quality control purposes, each junction box is “laser etched” with a unique serial number.

Our electrical test equipment has four independent heads to automatically test each connection rail and diode in the popular four rail junction box. Assembly equipment automatically verifies the production of the cable assemblies and attachment to the junction box. The true position of the contact in the mating coupler housing and proper torque of the screw nut are some of the critical process checks made to each unit. A vision system is incorporated into the junction box assembly equipment. Polarization and molded features are inspected by the same vision system to contribute to the production of a quality product and a repeatable manufacturing process.

**The SOLARLOK product is currently manufactured in Europe, Asia and the USA.**



TE Manufacturing Facility in Trutnov, Czech Republic

## The SOLARLOK Product Concept

### System Features

#### Junction Box

- Variable wiring options
- Simple, fast and cost-effective assembly
- Flat, low profile design
- High current carrying capacity
- Good thermal balance
- Connectorized or direct wire configurations
- Up to four outputs possible
- Up to six internal rails
- Customer-specific solutions
- TÜV and UL approved

#### Cable Couplers

- Simple on-site processing
- Mating safety provided by keyed housings
- Semi-automatic assembly capability possible
- Multiple plugging and unplugging cycles
- Accommodates solar cable with different insulation diameters
- High current carrying capacity
- Wide temperature operating range
- TÜV and UL approved

#### Solar Cable

- Dual wall insulation
- Electron beam cross-linked
- Excellent resistance to U.V., water, ozone, fluids, salt, general weathering
- Excellent resistance to abrasion
- Halogen free, flame retardant, low toxicity
- Very low smoke emissions
- Excellent flexibility and stripping performance
- Temperature Rating : -40°C up to +125°C
- Nominal Voltage : Vo/V 1800/3000 VAC, 2600 VDC
- Test Voltage : 6KV, 50Hz, 5min
- Bending Radius :  $\geq 5 \times$  outer diameter
- TÜV and UL approved



## Simple and Reliable Interconnection of Solar Systems

Market expansion of the formerly regulated energy supply sector, increased global environmental awareness and governments committing themselves to more stringent environmental targets have opened up new opportunities for the photovoltaic industry.

Having served a niche market in the past, the photovoltaics industry now has the opportunity to move into mass production, realizing economies of scale and gaining a greater market share of the world's energy mix.

TE has contributed to the establishment of this environmentally-friendly technology with the introduction of its SOLARLOK connector system.

The SOLARLOK connector system delivers a flexible system solution for easy and reliable interconnections from photovoltaic modules to the DC/AC converter. The entire system concept is based on cost-effective and reliable processing of individual interconnection system components. This significantly reduces installation costs of the solar energy system.

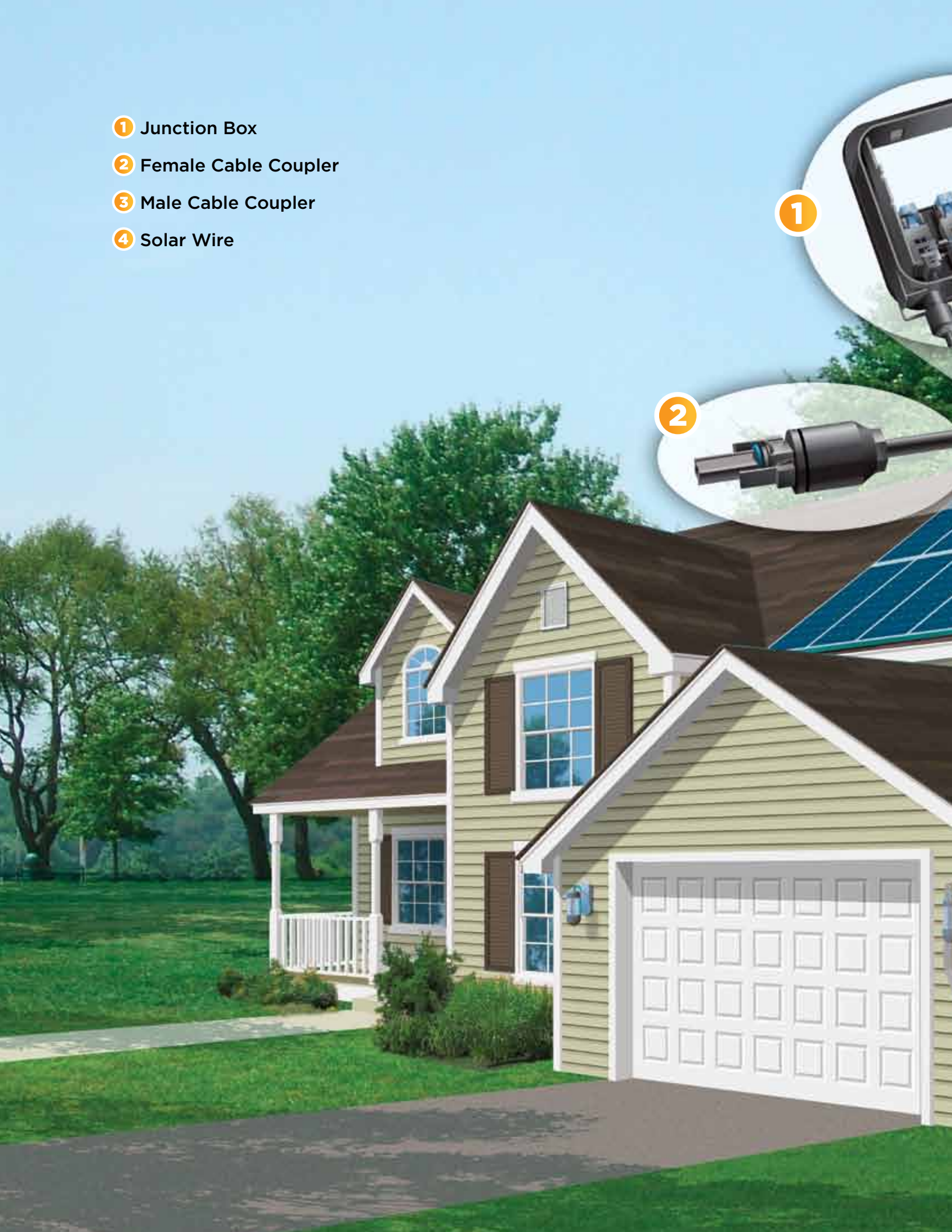
The junction box concept is based on a flexible, open system structure, which allows serial as well as parallel interconnection via direct wire connect or separable connectors. Within the junction box, up to six termination places rails are available for photovoltaic foil connection. If required by the customer, the junction box can be delivered pre-configured with diodes, jumpers, plug connectors, and solar cable pigtails.

The male and female cable couplers were designed for high voltage and high current-carrying capacity in addition to the well-established IP 67 sealing requirement in the photovoltaic industry. Mating safety is provided by polarity keyed housings, fully shrouded contacts, reliable high cycle life, and a squeeze to release connection system. In addition, a wide temperature range and fulfillment of worldwide standards for photovoltaic connection systems complement the robust product specification.

## Table of Contents

<b>Junction Boxes</b>	Large Junction Box : Serial Interconnection.....	page : 8
	5-Rail Junction Box : Serial Interconnection .....	page : 9
	Medium Junction Box : Serial Interconnection.....	page : 10
	Medium Junction Box : Serial Interconnection : Special Versions.....	page : 11
	Small Junction Box : Serial Interconnection .....	page : 12
	Decentralized 2-Rail Junction Box : Serial Interconnection .....	page : 13
	Junction Boxes for Building Integrated PV Applications (BIPV) .....	page : 14
	Straddle Edge Junction Box .....	page : 15
<b>Labels</b>	HM : High Tack Metallized Polyester Labels.....	page : 16
	HW : White Polyester Labels .....	page : 17
<b>Grounding System</b>	Grounding System : Grounding Bolt.....	page : 18
	Grounding System : Grounding Clip .....	page : 19
<b>Connectors</b>	Cable Coupler : Standard Line .....	page : 20
	Cable Coupler : Slim Line .....	page : 21
	Contacts .....	page : 22
	T-Branch Connector.....	page : 23
	DC Converter Receptacle .....	page : 24
	AC Inverter Connector .....	page : 25
<b>Solar Cable</b>	Solar Cables .....	page : 26-27
	Wiring Example with Extension Cables .....	page : 28
	Interconnection Examples.....	page : 30-31
<b>Tooling</b>	Application Tooling .....	page : 32-33
<b>Guidelines</b>	Assembly and Installation Guidelines .....	page : 34-37
	Numerical Index.....	page : 38-40

- ① Junction Box
- ② Female Cable Coupler
- ③ Male Cable Coupler
- ④ Solar Wire







## Large Junction Box : Serial Interconnection

### Technical Data

#### Materials

Socket and Pin Contacts : CuZn  
 Housing : PPO (polyphenylene oxide), weatherproof against UV radiation ozone  
 Contact Rail : Bright tin over copper

#### Electrical Features

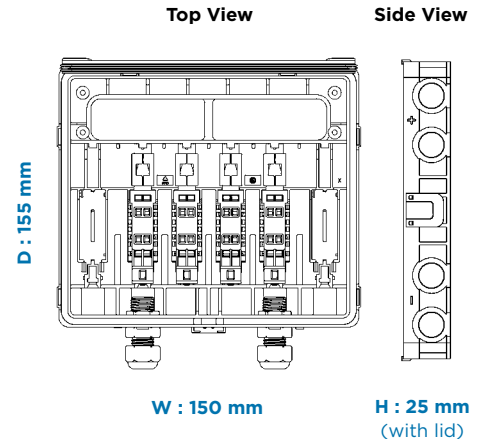
Withstanding Voltage : 1000 V DC  
 Current Rating : Up to 25 A  
 Protection Class : II

#### Mechanical Features

Temperature Range : -40°C to +105°C  
 Wire Size Range : Up to 12 AWG, 4 mm<sup>2</sup>  
 Protection Degree : IP 65, closed

#### Standards

UL approved  
 TÜV approved to IEC 61215 ed. 2 approved



### Junction Box with Mounted Cable and Connectors

Part Number	Contact Rails	Diodes	Rated Current (IEC 61215, Edition 2) (Ampere)	Cable Length (mm)	Wire Size (mm <sup>2</sup> )	AWG
1740300-2	6	5	6.0	1,000	4.0	12
1987294-2	6	5	8.5	1,000	4.0	12
1987254-2	6	5	13.0	1,000	4.0	12
1740077-1	4	3	6.0	1,000	4.0	12
1740077-3	4	3	8.5	1,000	4.0	12
on request	4	3	13.0	1,000	4.0	12

### Junction Box with Connector Outlet

Part Number	Contact Rails	Diodes	Rated Current (IEC 61215, Edition 2) (Ampere)
3-1394723-0	6	5	6.0
6-1394735-5	6	5	8.5
6-1394723-4	6	5	13.0
2-1394723-4	4	3	6.0
on request	4	3	8.5
5-1394723-3	4	3	13.0

Junction box with extended wiring space



### Special Versions

Part Number	Contact Rails	Diodes	Rated Current (IEC 61215, Edition 2) (Ampere)	Cable Length (mm)	Wire Size (mm <sup>2</sup> )	AWG	Comments
1987988-1	6	5	8.5	1,000	4.0	12	Junction box with extended wiring space
1987987-1	6	5	13.0	1,000	4.0	12	

Standard mounting on the panel with silicone glue (approved types see application specification). Optional with double-sided adhesive tape (specifications of the adhesive tape can be found in the datasheets of the manufacturer)

## 5-Rail Junction Box : Serial Interconnection

### Technical Data

#### Materials

Socket and Pin Contacts : CuZn

Housing : PPO (polyphenylene oxide), weatherproof against UV radiation ozone

Contact Rail : Bright tin over copper

#### Electrical Features

Withstanding Voltage : 1000 V DC

Current Rating : Up to 25 A

Protection Class : II

#### Mechanical Features

Temperature Range : -40°C to +105°C

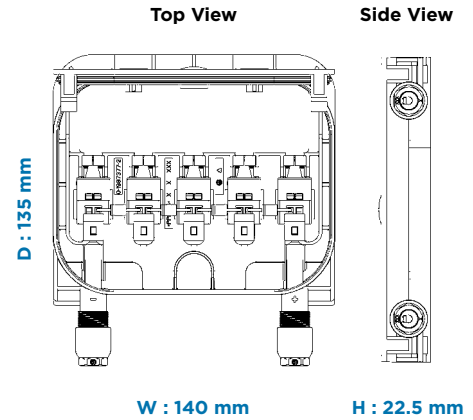
Wire Size Range : Up to 12 AWG, 4 mm<sup>2</sup>

Protection Degree : IP 65, closed

#### Standards

UL approved

TÜV approved to IEC 61215 ed. 2 approved



### Junction Box with Mounted Cable and Connectors

Part Number	Contact Rails	Diodes	Rated Current (IEC 61215, Edition 2) (Ampere)	Cable Length (mm)	Wire Size (mm <sup>2</sup> )	AWG
1987858-3	5	4	8.5	1,000	4.0	12
1987982-3	5	4	13.0	1,000	4.0	12

### Junction Box with Connector Outlet

Part Number	Contact Rails	Diodes	Rated Current (IEC 61215, Edition 2) (Ampere)
on request	5	4	8.5
on request	5	4	13.0

## Medium Junction Box : Serial Interconnection

### Technical Data

#### Materials

Socket and Pin Contacts : CuZn  
 Housing : PPO (polyphenylene oxide), weatherproof against UV radiation ozone  
 Contact Rail : Bright tin over copper  
 Lid : Impact resistant P.C.

#### Electrical Features

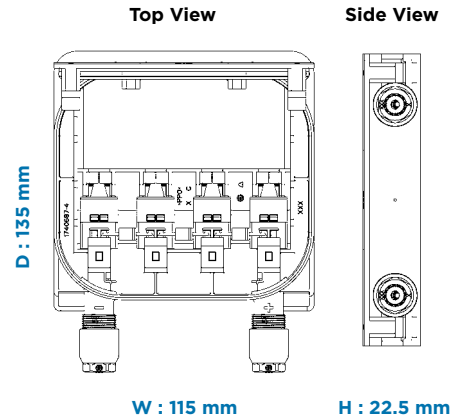
Withstanding Voltage : 1000 V DC  
 Current Rating : Up to 25 A  
 Protection Class : II

#### Mechanical Features

Temperature Range : -40°C to +105°C  
 Wire Size Range : Up to 12 AWG, 4mm<sup>2</sup>  
 Protection Degree : IP 65, closed

#### Standards

UL approved  
 TÜV approved to IEC 61215 ed. 2 approved



### Junction Box with Mounted Cable and Connectors

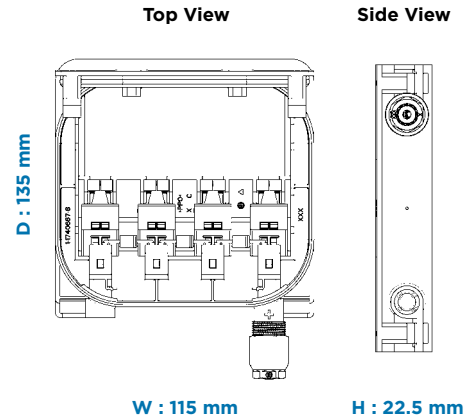
Part Number	Contact Rails	Diodes	Rated Current	Cable Length	Wire Size	AWG
			(IEC 61215, Edition 2) (Ampere)			
1987002-4	4	3	6.0	1,000	4.0	12
1740699-6	4	3	8.5	1,000	4.0	12
1740971-2	4	3	13.0	1,000	4.0	12

### Junction Box with Connector Outlet

Part Number	Contact Rails	Diodes	Rated Current
			(IEC 61215, Edition 2) (Ampere)
1987003-3	4	3	6.0
1740700-1	4	3	8.5
1740972-1	4	3	13.0

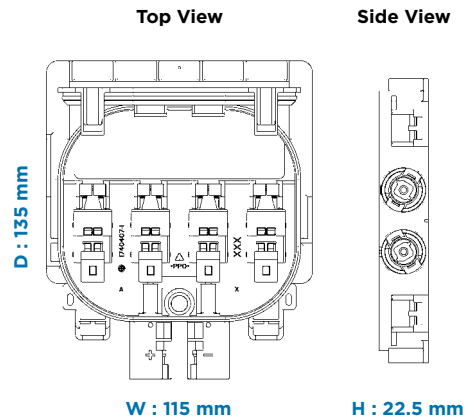
## Medium Junction Box : Serial Interconnection : Special Versions

### Technical Data



### Junction Box with Mounted Cable and Connectors

Part Number	Contact Rails	Diodes	Rated Current (IEC 61215, Edition 2) (Ampere)	Cable Length (mm)	Wire Size (mm <sup>2</sup> )	AWG	Comments
3-1740699-9	4	3	8.5	1,000	4.0	12	Male contact (neutral) right, left closed
3-1740699-8	4	3	8.5	1,000	4.0	12	Female contact (neutral) left, right closed
1987994-1	4	3	13.0	1,000	4.0	12	Male contact (neutral) right, left closed
1987995-1	4	3	13.0	1,000	4.0	12	Female contact (neutral) left, right closed



### Inside Style

Part Number	Contact Rails	Diodes	Rated Current (IEC 61215, Edition 2) (Ampere)	Cable Length (mm)	Wire Size (mm <sup>2</sup> )	AWG	Comments
1740657-8	4	3	8.5	1,000	4.0	12	with mounted cable
1-1740657-2	4	3	13.0	1,000	4.0	12	with mounted cable

## Small 3-Rail Junction Box : Serial Interconnection

### Technical Data

#### Materials

**Socket and Pin Contacts :** CuZn  
**Housing :** PPO (polyphenylene oxide), weatherproof against UV radiation ozone  
**Contact Rail :** Bright tin over copper  
**Lid :** Impact resistant P.C.

#### Electrical Features

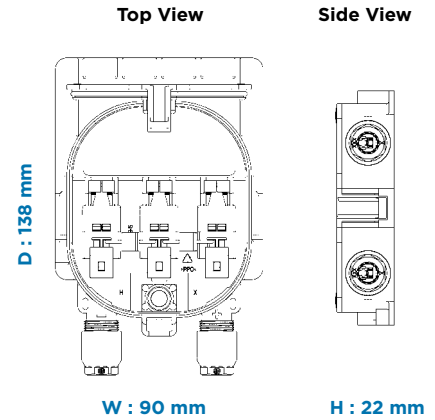
**Withstanding Voltage :** 1000 V DC  
**Current Rating :** Up to 25 A  
**Protection Class :** II

#### Mechanical Features

**Temperature Range :** -40°C to +105°C  
**Wire Size Range :** Up to 12 AWG, 4mm<sup>2</sup>  
**Protection Degree :** IP 65, closed

#### Standards

UL approved  
 TÜV approved to IEC 61215 ed. 2 approved



### Junction Box with Mounted Cable and Connectors

Part Number	Contact Rails	Diodes	Rated Current	Cable Length	Wire Size	
			(IEC 61215, Edition 2) (Ampere)		(mm)	(mm <sup>2</sup> )
1740425-5	3	2	6.5	1,000	4.0	12
1987252-6	3	2	10.5	1,000	4.0	12
1987252-1	3	2	14.0	1,000	4.0	12

### Junction Box with Connector Outlet

Part Number	Contact Rails	Diodes	Rated Current
			(IEC 61215, Edition 2) (Ampere)
1418867-6	3	2	6.5
1987459-1	3	2	10.5
1987771-1	3	2	14.0

## Decentralized 2-Rail Junction Box : Serial Interconnection

### Technical Data

#### Materials

Housing : PPO (polyphenylene oxide)

#### Electrical Features

Current Rating : 9A

Withstanding Voltage : 1000 V DC

#### Mechanical Features

Temperature Range : -40°C to +105°C

Wire Size Range : Up to 12 AWG, 4 mm<sup>2</sup>



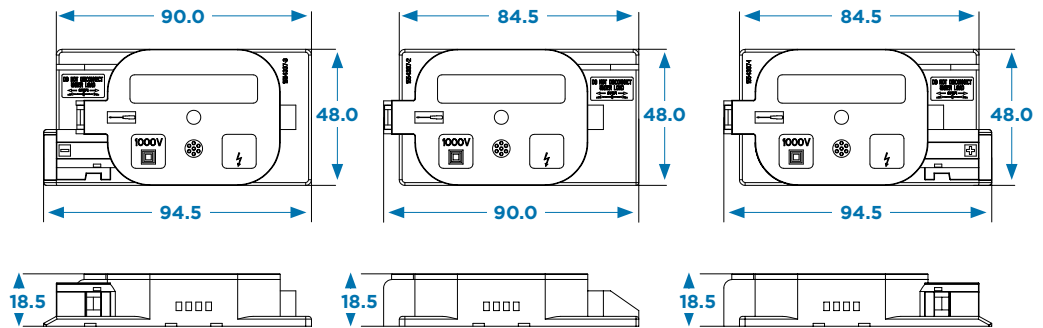
#### Standards

UL approved

TÜV approved to IEC 61215 ed. 2 approved (VDE 0126-5)

### Feature & Benefits

- Low profile, only 18.5 mm
- Separated diodes in separate boxes
- Proven solderless spring clip termination technique
- 2 position style for lay out flexibility
- Decentralized position saves on the length of connecting cable
- Decentralized position saves on the length of X-connect
- Connectorized style (mates with Slim Line Connector System)



### Product Offering

Part Numbers	Description
<b>2134417-1</b>	2 Rail Junction Box : PLUS
<b>2134417-2</b>	2 Rail Junction Box : CENTER
<b>2134417-3</b>	2 Rail Junction Box : MINUS

## Junction Boxes for Building Integrated PV Applications (BIPV)

### Technical Data

#### Materials

Contact Plate : CuFe

Pin Contact : Silver plated CuSn

#### Electrical Features

Withstanding Voltage : 1000 V DC

#### Mechanical Features

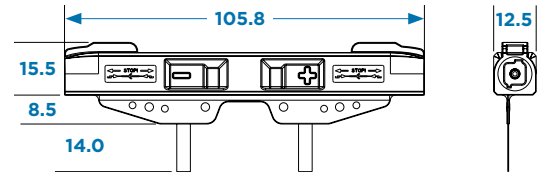
Wire Size Range : Up to 12 AWG, 4.0 mm<sup>2</sup>

Protection Degree : IP 67



Top View

Side View



#### Standards

TÜV approved

### Wing Edge Junction Box

Part Number	Diodes	Rated Current (IEC 61215, Edition 2) (Ampere)	Connection Type
1-1987293-4	1	12	with slim line connector system (see page 15)

Note: The cable assemblies for wing-edge junction box are available upon request.

### Feature & Benefits

- Suitable solution for automatic lamination
- For crystalline applications
- Connectorized junction box termination allows for easy and reliable field installations

NOTE : This product is not permitted for use in the USA.



## Straddle Edge Junction box

### Technical Data

#### Materials

Housing : PPO (polyphenylene oxide),  
UV F1 rated material

#### Electrical Features

Rated Current : 11A (crystalline)  
and 3A (thin film)

Voltage : 1000V DC

#### Mechanical Features

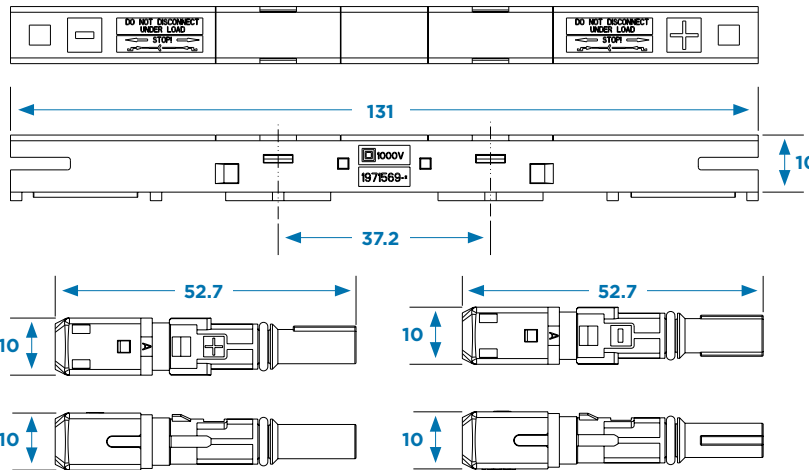
Temperature Range : -40°C to + 85°C

Protection Level : IP 67

Application Cable : 2.5 mm<sup>2</sup> and 4.0 mm<sup>2</sup>

#### Standards

TÜV approved



### Features & Benefits

- For both crystalline and thin film applications
- One of the smallest edge junction boxes on the market
- Modular design can meet various size module application requirements
- Connectorized junction box termination allows for easy and reliable field installations

### Straddle Edge Junction Box

Part Number	Description	Diodes	Rated Current (IEC 61215, Edition 2) (Ampere)	Connection Type
1971569-1	SOLARLOK straddle edge junction box (11A)	1	11	Specific Connector System
1971569-2	SOLARLOK straddle edge junction box (3A)	1	3	Specific Connector System

Note: The cable assemblies for straddle edge junction boxes are available upon request

Note : Connection of foil  
by soldering.

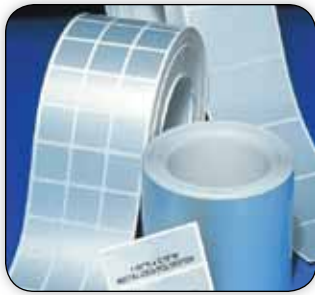
Required potting material please  
see application specification.

### Accessories

Part Number	Description
1971131-1	Plus Socket Connector
1971131-2	Minus Socket Connector
1971133-1	End Socket Connector



## HM : High tack metallized polyester labels (for indoor and outdoor applications)



HM is a thermal transfer printable metallized polyester film with a high tack permanent acrylic adhesive. The labels are designed for application to rough surfaces or where increased adhesion is required. The high tack adhesion of HM will bond to most demanding surfaces, including textured and contoured surfaces.

Product Order	Pack Qty.	# AC	Label Width		Label Height		Horizontal Repeat		Vertical Repeat		Web Width	
			(mm)	(inches)	(mm)	(inches)	(mm)	(inches)	(mm)	(inches)	(mm)	(inches)
HM-064064-25-8A	25000	12	6.4	0.25	6.4	0.25	6.4	0.25	9.5	0.375	82.2	3.24
HM-089047-10-8A	10000	5	8.9	0.35	4.7	0.186	11.4	0.45	7.9	0.313	60.6	2.386
HM-095080-25-8A	25000	5	9.5	0.375	8	0.315	12.2	0.48	12.7	0.5	64.3	2.531
HM-095095-10-8A	10000	7	9.5	0.375	9.5	0.375	11.1	0.437	12.7	0.5	82.1	3.23
HM-127111-10-8A	10000	5	12.7	0.5	11.1	0.437	16.8	0.662	14.3	0.563	86	3.38
HM-127127-10-8A	10000	5	12.7	0.5	12.7	0.5	15.9	0.625	15.9	0.625	82.6	3.25
HM-191064-10-8A	10000	4	19.1	0.75	6.4	0.25	21.6	0.85	9.5	0.375	89.9	3.54
HM-191114-15-8A	15000	3	19.1	0.75	11.4	0.45	22.2	0.875	14.7	0.579	69.5	2.736
HM-254064-10-8A	10000	3	25.4	1	6.4	0.25	27.9	1.1	9.5	0.375	87.3	3.436
HM-254127-10-8A	10000	3	25.4	1	12.7	0.5	27.9	1.1	16.9	0.666	87.4	3.44
HM-254254-10-8A	10000	3	25.4	1	25.4	1	27.9	1.1	28.6	1.125	87.4	3.44
HM-318097-10-8A	10000	1	31.8	1.25	9.7	0.38	--	--	12.7	0.5	37.8	1.488
HM-381064-10-8A	10000	1	38.1	1.5	6.4	0.25	--	--	9.5	0.375	44.5	1.75
HM-381127-5-8A	5000	2	38.1	1.5	12.7	0.5	44.2	1.738	15.9	0.625	88.2	3.472
HM-381191-5-8A	5000	2	38.1	1.5	19.1	0.75	43.2	1.7	22.2	0.875	87.6	3.45
HM-381381-2.5-8A	2500	2	38.1	1.5	38.1	1.5	44.5	1.75	40.8	1.607	88.9	3.5
HM-381635-5-8A	5000	2	38.1	1.5	63.5	2.5	40.6	1.6	66.7	2.625	84.7	3.338
HM-445064-10-8A	10000	1	44.5	1.75	6.4	0.25	--	--	9.5	0.375	50.4	1.986
HM-445445-2-8A	2000	1	44.5	1.75	44.5	1.75	--	--	47.6	1.875	50.4	1.986
HM-508064-10-8A	10000	1	50.8	2	6.4	0.25	--	--	9.5	0.375	56.9	2.24
HM-508127-5-8A	5000	1	50.8	2	12.7	0.5	--	--	15.9	0.625	56.9	2.24
HM-508254-5-8A	5000	1	50.8	2	25.4	1	--	--	28.6	1.125	57.2	2.25
HM-508318-2.5-8A	2500	1	50.8	2	31.8	1.25	--	--	34.9	1.375	56.9	2.24
HM-508508-3-8A	3000	1	50.8	2	50.8	2	--	--	54.6	2.15	54	2.13
HM-762381-2.5-8A	2500	1	76.2	3	38.1	1.5	--	--	41.3	1.625	82.3	3.24
HM-762508-2.5-8A	2500	1	76.2	3	50.8	2	--	--	54	2.125	82.6	3.24
HM-101508-2.5-8A	2500	1	101.6	4	50.8	2	--	--	54.6	2.15	104.1	4.1
HM-101635-2.5-8A	2500	1	101.6	4	63.5	2.5	--	--	66.7	2.625	107.7	4.24
HM-101101-1.3-8A	1300	1	101.6	4	101.6	4	--	--	104.8	4.125	104.1	4.1

### Technical Data

#### Applications

- Racks and Panels (including back of solar panels)
- Electronic device and equipment labeling
- General purpose label applications

#### Temperature Range

##### Operating Temperature

: -40°C to +150°C (-40°F to +302°F)

##### Minimum Application Temperature

: 10°C (50°F)

#### Specifications and Certifications

##### TE Technical Data Sheet

: TTDS-075

: UL 969, File MH17292

#### Printer Information

##### TE Printer

: TE3124 (Thermal transfer)

: T312 (Thermal transfer)

##### TE Ribbons

: 1330-0607

**NOTE : For reliable print performance and durability, use with Tyco Electronics 1330-0607 series ribbon.**

#### Part Number Example

HM - 127508 - 10 - 8A



## HW : High Tack White Polyester Labels



HW is a white thermal transfer printable polyester film with a high tack - permanent acrylic adhesive, designed for application to multiple surface types where increased adhesion is required. The high tack adhesion of HW will bond to most demanding surfaces, including textured and contoured surfaces.

### Technical Data

#### Applications

- Enclosures, Racks and Panels (including back of solar panels)
- Electronic device and equipment labeling
- General purpose label applications

#### Temperature Range

##### Operating Temperature

: -40°C to +150°C (-40°F to +302°F)

##### Minimum Application Temperature

: 10°C (50°F)

#### Specifications and Certifications

##### TE Technical Data Sheet

: TTDS-076

: UL 969, File MH17292

#### Printer Information

##### TE Printer

: TE3124 (Thermal transfer)

: T312 (Thermal transfer)

##### TE Ribbons

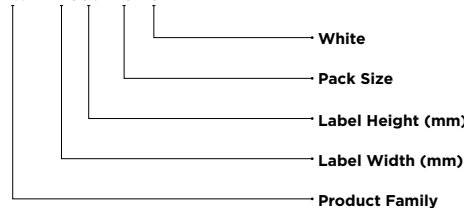
: 1330-0607

**NOTE : For reliable print performance and durability, use with Tyco Electronics 1330-0607 series ribbon.**

Product Order	Pack Qty.	# AC	Label Width		Label Height		Horizontal Repeat		Vertical Repeat		Web Width	
			(mm)	(inches)	(mm)	(inches)	(mm)	(inches)	(mm)	(inches)	(mm)	(inches)
HW-064064-25-9	25000	12	6.4	0.250	6.4	0.250	6.4	0.25	9.5	0.375	82.2	3.240
HW-080080-10-9	10000	8	8.0	0.315	8.0	0.315	9.9	0.39	13.3	0.525	83.3	3.280
HW-089047-10-9	10000	5	8.9	0.350	4.7	0.185	11.4	0.45	7.9	0.313	60.6	2.386
HW-095095-10-9	10000	7	9.5	0.375	9.5	0.375	11.1	0.437	12.7	0.500	64.3	2.531
HW-114040-25-9	25000	6	11.4	0.450	4.0	0.158	11.4	0.45	7.1	0.282	74.6	2.936
HW-127032-10-9	10000	5	12.7	0.500	3.2	0.126	19.1	0.75	6.4	0.250	94.6	3.736
HW-127064-10-9	10000	6	12.7	0.500	6.4	0.252	15.2	0.6	9.5	0.375	95.3	3.750
HW-127111-10-9	10000	5	12.7	0.500	11.1	0.437	16.8	0.662	14.3	0.563	86.0	3.380
HW-127127-10-9	10000	5	12.7	0.500	12.7	0.500	15.9	0.625	15.9	0.625	82.6	3.250
HW-165051-25-9	25000	4	16.5	0.650	5.1	0.200	17.8	0.7	8.3	0.325	75.8	2.990
HW-171171-10-9	10000	5	17.1	0.674	17.1	0.674	19.7	0.774	20.3	0.800	101.8	4.006
HW-178095-10-9	10000	4	17.8	0.700	9.5	0.375	19.1	0.75	12.7	0.500	80.9	3.190
HW-191064-10-6	10000	4	19.1	0.750	6.4	0.250	21.6	0.85	9.5	0.375	89.9	3.540
HW-191064-10-9	10000	4	19.1	0.750	6.4	0.250	21.6	0.85	9.5	0.375	89.9	3.540
HW-203127-10-9	10000	4	20.3	0.800	12.7	0.500	22.9	0.9	15.9	0.625	94.6	3.730
HW-229064-10-9	10000	3	22.9	0.900	6.4	0.250	28.6	1.125	9.5	0.375	86.0	3.390
HW-254064-10-9	10000	3	25.4	1.000	6.4	0.250	27.9	1.1	9.5	0.375	95.3	3.750
HW-254097-10-9	10000	3	25.4	1.000	9.7	0.380	27.9	1.1	12.7	0.500	87.4	3.440
HW-254127-10-4	10000	3	25.4	1.000	12.7	0.500	27.9	1.1	16.9	0.666	87.4	3.440
HW-254254-10-9	10000	3	25.4	1.000	25.4	1.000	27.9	1.1	28.6	1.125	87.4	3.440
HW-318064-10-9	10000	1	31.8	1.250	6.4	0.250	--	--	9.5	0.375	37.9	1.490
HW-318097-10-9	10000	1	31.8	1.250	9.7	0.380	--	--	12.7	0.500	37.9	1.490
HW-381064-10-9	10000	1	38.1	1.500	6.4	0.250	--	--	9.5	0.375	44.5	1.750
HW-381127-5-9	5000	2	38.1	1.500	12.7	0.500	44.2	1.74	15.9	0.625	88.2	3.470
HW-381191-5-9	5000	2	38.1	1.500	19.1	0.750	43.2	1.7	22.2	0.875	87.6	3.450
HW-445102-5-9	5000	1	44.5	1.750	10.2	0.400	--	--	12.7	0.500	50.4	1.986
HW-478175-5-9	5000	1	47.8	1.880	17.5	0.690	--	--	24.4	0.962	66.0	2.600
HW-508064-10-9	10000	1	50.8	2.000	6.4	0.250	--	--	9.5	0.375	56.9	2.240
HW-508095-5-9	5000	1	50.8	2.000	9.5	0.375	--	--	12.7	0.500	57.2	2.250
HW-508127-5-9	5000	1	50.8	2.000	12.7	0.500	--	--	15.9	0.625	56.9	2.240
HW-508254-5-9	5000	1	50.8	2.000	25.4	1.000	--	--	28.6	1.125	57.2	2.250
HW-508318-2.5-9	2500	1	50.8	2.000	31.8	1.250	--	--	34.9	1.375	56.9	2.240
HW-523841-1.5-9	1500	1	52.3	2.060	84.1	3.310	--	--	88.9	3.500	58.2	2.290
HW-699191-5-9	5000	1	69.9	2.750	19.1	0.750	--	--	23.3	0.917	76.2	3.000
HW-699254-5-9	5000	1	69.9	2.750	25.4	1.000	--	--	28.6	1.125	76.2	3.000
HW-762127-1-9	1000	1	76.2	3.000	127.0	5.000	--	--	129.5	5.100	79.4	3.130
HW-762254-5-9	5000	1	76.2	3.000	25.4	1.000	--	--	28.6	1.125	82.3	3.240
HW-762508-2.5-9	2500	1	76.2	3.000	50.8	2.000	--	--	54.0	2.125	82.6	3.240

#### Part Number Example

HW - 127508 - 10 - 9



Note : Label can be flood-coated to meet any color in the PMS book. Inquire with TE customer service.

## Grounding System : Grounding Bolt

### Technical Data

#### Materials

Connector & Hardware

: Stainless Steel (Passivated)

#### Electrical Features

Short Term Current Test (UL 467)

: 6 AWG = 1530A (6 seconds)

: 8 AWG = 1180A (4 seconds)

: 10 AWG = 750A (4 seconds)

: 12 AWG = 470A (4 seconds)

#### Mechanical Features

Securness Test (ul 486A-B)

: 6 AWG = 18lbs (30 minutes)

: 8 AWG = 8lbs (30 minutes)

: 10 AWG = 5lbs (30 minutes)

: 12 AWG = 5lbs (30 minutes)

Pull out Test (ul 486A-B)

: 6 AWG = 100lbs (1 minute)

: 8 AWG = 90lbs (1 minute)

: 10 AWG = 80lbs (1 minute)

: 12 AWG = 70lbs (1 minute)



### Product Offering

Part Number	Description	Thread	Dim "A"	Package Quantity
<b>2058729-1</b>	6-12 AWG	#8-32 UNC	.380	100
<b>2106831-1</b>	Long Shank 6-12 AWG	#10-32 UNF	.700	100

\*Instruction Sheet : 408-10262

### Dimensions

#### Application Tooling

Flex socket wrench or wrenches

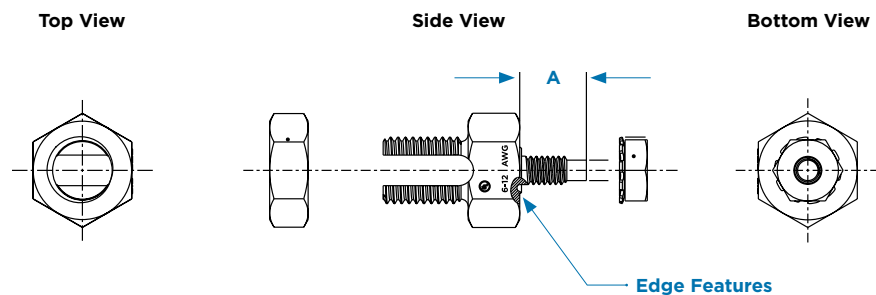
#### Standards

UL 467 listed

UL File #E69905

A requirement for UL 1703 solar panel listing

CSA C22.2 No. 41-07



### Features & Benefits

- Rugged and compact hex bolt design made from stainless steel.
- Quick and easy mounting procedures.
- Bottom edge feature cuts through the anodized aluminum surface when securing the hex bolt to the module frame.
- Standard tooling can be used with the hex nuts.

## Grounding System : Grounding Clip

### Technical Data

#### Materials

**Housing** : Durable PBT 30% glass filled polyester. Material is outdoor & UV rated  
**Contact** : High conductivity, copper

#### Electrical Features

Meets the tough requirements of photovoltaic grounding applications and the 2008 National Electrical Code.

#### Mechanical Features

Meets the tough requirements for grounding applications for solid copper wire.  
 12 AWG applications will withstand 70lbs pull while the 10 AWG applications will withstand 80lbs pull

#### Application Tooling

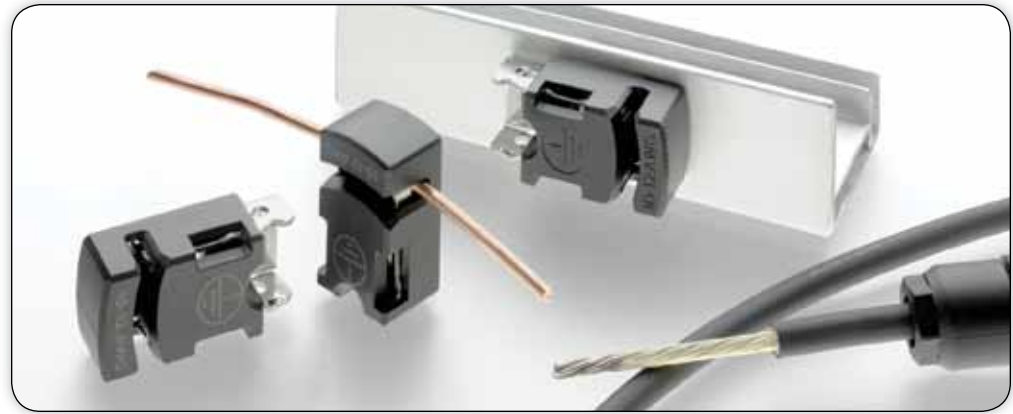
No special tooling is required -- only flathead screwdrivers and channel lock pliers (optional)

#### Standards

UL 467 listed  
 UL File #E69905  
 A requirement for UL 1703 solar panel listing  
 CSA C22.2 No. 41-07

### Features & Benefits

- Product comes as an assembled kit that includes an attachment screw
- Contact design provides 4 points of contact to the ground wire for high reliability
- Product is easy to install with simple tools that are readily available
- Removal of the installed ground wire requires a screwdriver, this meeting the tooled extraction requirements
- RoHS compliant

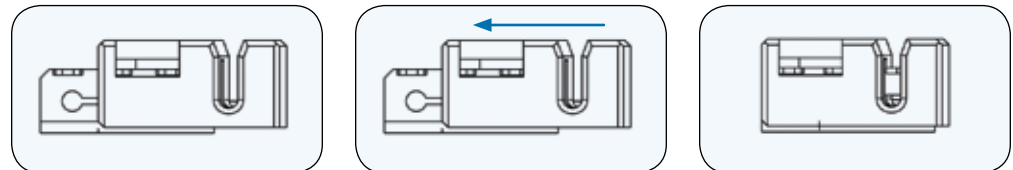


### Product Offering

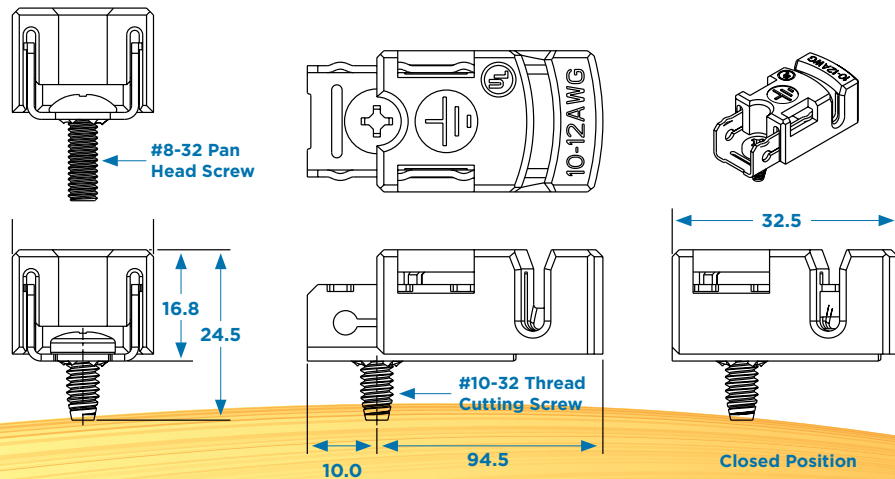
Part Number	Screw	Nut	Package Quantity	Wire Size
<b>1954381-1</b>	#10-32 Thread Cutting	None	100	10-12 AWG
<b>1954381-2</b>	#8-32 Pan Head	#8-32	100	10-12 AWG
<b>1954381-3</b>	#8-32 Pan Head	#8-32 Star Washer Nut	100	10-12 AWG
<b>1954381-4</b>	#8-32 Long Shark	none	100	10-12 AWG
<b>1954381-5</b>	#10-32 Thread Cutting	none	100	6 mm <sup>2</sup>

\*Instruction Sheet : 408-1016

### 3 Easy Steps to Ground Your PV System



### Dimensions



## Cable Coupler : Standard Line



### Female Cable Coupler (kit with screw-machined contact)

Gen 3 Seal Part Number	Gen 2 Seal Part Number	Wire Size		Keying	Package Quantity
		Cable Outer Diameter 5.5 mm to 8.0 mm	Cable Outer Diameter 4.5 mm to 6.0 mm		
1394462-1	4-1394462-6			Plus	100
1394462-3	4-1394462-8			Plus	100
5-1394462-5	6-1394462-3			Plus	100
1394462-2	4-1394462-7			Minus	100
1394462-4	4-1394462-9			Minus	100
5-1394462-6	6-1394462-4			Minus	100

### Technical Data

#### Electrical Features

Current Rating

: Up to 25 A

Withstanding Voltage : 1000 V DC

Contact Resistance : 1 mΩ typical

#### Mechanical Features

Dimensions : Diameter 18 mm (.71 inch)

Protection Degree : IP 67, mated

Contact Finish : Silver plated

#### Standards

UL approved

TÜV approved



### Male Cable Coupler (kit with screw-machined contact)

Gen 3 Seal Part Number	Gen 2 Seal Part Number	Wire Size		Keying	Package Quantity
		Cable Outer Diameter 5.5 mm to 8.0 mm	Cable Outer Diameter 4.5 mm to 6.0 mm		
1394461-1	1394461-7			Plus	100
1394461-3	7-1394461-0			Plus	100
6-1394461-5	7-1394461-3			Plus	100
1394461-2	1394461-8			Minus	100
1394461-4	7-1394461-1			Minus	100
6-1394461-6	7-1394461-4			Minus	100
6-1394461-1	6-1394461-3			Neutral	100
6-1394461-2	7-1394461-2			Neutral	100
6-1394461-4	7-1394461-5			Neutral	100

### Technical Data

#### Electrical Features

Current Rating : Up to 25 A

Withstanding Voltage : 1000 V DC

Contact Resistance : 1 mΩ typical

#### Mechanical Features

Dimensions : Diameter 18 mm (.71 inch)

Protection Degree : IP 67, mated

Contact Finish : Silver plated

#### Standards

UL approved

TÜV approved

## Cable Coupler : Slim Line



### Female Cable Coupler (kit with screw-machined contact)

Part Number	Wire Size		Keying	Package Quantity
	mm <sup>2</sup>	AWG		
1987559-1	2.5	14	Plus	100
1-1987559-1	4.0	12	Plus	100
1987559-2	2.5	14	Minus	100
1-1987559-2	4.0	12	Minus	100

### Technical Data

#### Electrical Features

Current Rating

: Up to 25 A

Withstanding Voltage : 1000 V DC

Contact Resistance : 1 mΩ typical

#### Mechanical Features

Dimensions : Diameter 18 mm (.71 inch)

Protection Degree : IP 67, mated

Contact Finish : Silver plated

#### Standards

UL pending

TÜV approved

### Female Cable Coupler (without contact : only housing and sealing)

Part Number	Wire Size		Keying	Package Quantity
	mm <sup>2</sup>	AWG		
1987287-1	--	--	Plus	2,500
1987287-2	--	--	Minus	2,500



### Male Cable Coupler (kit with screw-machined contact)

Part Number	Wire Size		Keying	Package Quantity
	mm <sup>2</sup>	AWG		
1987558-1	2.5	14	Plus	100
1-1987558-1	4.0	12	Plus	100
1987558-2	2.5	14	Minus	100
1-1987558-2	4.0	12	Minus	100
1987558-3	2.5	14	Neutral	100
1-1987558-3	4.0	12	Neutral	100

### Technical Data

#### Electrical Features

Current Rating : Up to 25 A

Withstanding Voltage : 1000 V DC

Contact Resistance : 1 mΩ typical

#### Mechanical Features

Dimensions : Diameter 18 mm (.71 inch)

Protection Degree : IP 67, mated

Contact Finish : Silver plated

#### Standards

UL pending

TÜV approved

### Male Cable Coupler (without contact : only housing and sealing)

Part Number	Wire Size		Keying	Package Quantity
	mm <sup>2</sup>	AWG		
1987286-4	--	--	Plus	2,500
1987286-5	--	--	Minus	2,500
1987286-6	--	--	Neutral	2,500



## Replacement Contacts

### Technical Data

#### Materials

Contact : Silver plated, copper alloy

#### Electrical Features

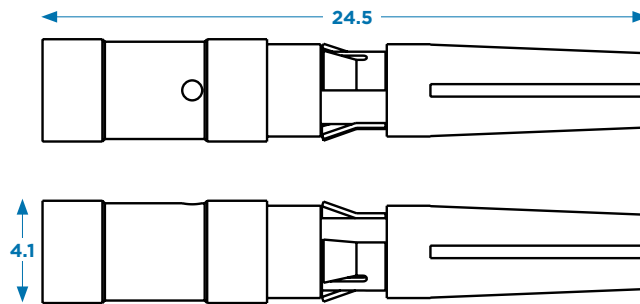
##### Current Rating

: Up to 25 A

### Female Contacts (Screw-Machined)

Material : Copper alloy, silver plated

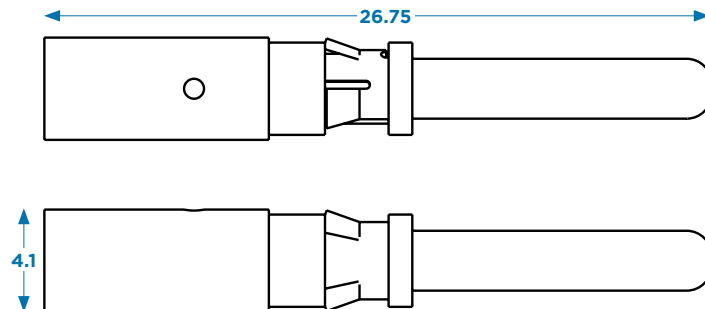
Part Number	Wire Size (mm <sup>2</sup> )	Wire Size (AWG)	Package Quantity
1987281-1	2.5	AWG 14	100
1987281-2	4.0	AWG 12	100
1987281-3	6.0	AWG 10	100



### Male Contacts (Screw-Machined)

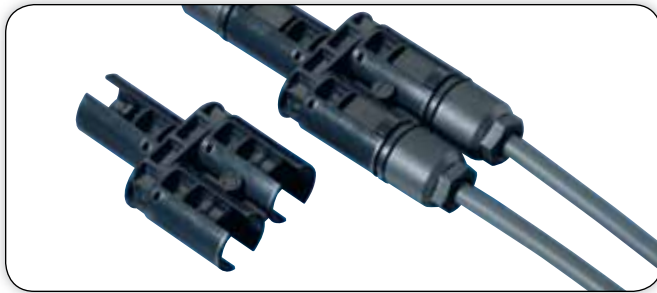
Material : Copper alloy, silver plated

Part Number	Wire Size (mm <sup>2</sup> )	Wire Size (AWG)	Package Quantity
1987280-1	2.5	AWG 14	100
1987280-2	4.0	AWG 12	100
1987280-4	6.0	AWG 10	100





## T-Branch Connector



### Parallel Interconnection using T-Branch Connector (Male-to-Male)

Part Number	Keying	Package Quantity
1534611-1	Plus	20
1534611-2	Minus	20

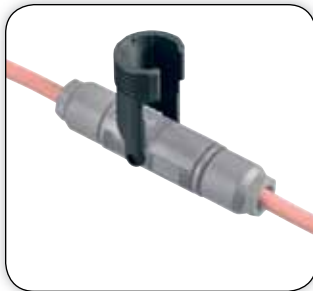
\* TÜV and UL approved



### Parallel Interconnection using T-Branch Connector (Female-to-Male)

Part Number	Keying	Package Quantity
1740277-1	Plus	20
1740277-2	Minus	20

\* TÜV and UL approved



### Safety Clips (Optional)

Part Number	Description	Package Quantity
1534226-1	Pivoted	100
2106207-1*	NEC 2008/USA UTE C15-712/ France	100

\*Instruction Sheet : 408-10296

Female Housing : with strap



Female Housing : no strap



### Connector Dust Covers

Part Number	Description	Package Quantity
1987423-1	Female housing cover with strap	100
1394739-1	Male housing cover with strap	100
1987424-1	Female housing no strap	100
1987419-1	Male housing no strap	100

Note : Dust cap are reusable

Male Housing : with strap



Male Housing : no strap



## DC Converter Receptacle

### Technical Data

#### Electrical Features

Current Rating : Up to 25 A

Withstanding Voltage : 1000 V DC

Contact Resistance :  $\leq 5 \text{ m}\Omega$ ,  $\text{m}\Omega$  typical

#### Mechanical Features

Dimensions : Diameter 18 mm (.71 inch)

Temperature Range : -40°C to +105°C

Protection Degree : IP 67, mated

Contact Finish : Silver plated



### With O-Ring and Metal Nut (kit with screw-machined contact)

Part Number	Wire Size		Keying	Package Quantity	Standard
	mm <sup>2</sup>	AWG			
1394738-1	2.5	14	Plus	100	TÜV
1394738-3	4.0	12	Plus	100	TÜV
1394738-9	6.0	10	Plus	100	TÜV
1394738-2	2.5	14	Minus	100	TÜV
1394738-4	4.0	12	Minus	100	TÜV
1-1394738-0	6.0	10	Minus	100	TÜV
2120382-1	2.5	14	Plus	100	UL
2120382-3	4	12	Plus	100	UL
2120382-5	6	10	Plus	100	UL
2120382-2	2.5	14	Minus	100	UL
2120382-4	4	12	Minus	100	UL
2120382-6	6	10	Minus	100	UL



### With Flat Seal and Plastic Nut (kit with screw-machined contact)

Part Number	Wire Size		Keying	Flat Seal Color	Package Quantity	Standard
	mm <sup>2</sup>	AWG				
1740210-1	2.5	14	Plus	Black	100	TÜV
1740210-3	4.0	12	Plus	Black	100	TÜV
1740210-5	6.0	10	Plus	Black	100	TÜV
1740210-2	2.5	14	Minus	Black	100	TÜV
1740210-4	4.0	12	Minus	Black	100	TÜV
1740210-6	6.0	10	Minus	Black	100	TÜV
1740210-7	2.5	14	Plus	Red	100	TÜV
1740210-9	4.0	12	Plus	Red	100	TÜV
1-1740210-1	6.0	10	Plus	Red	100	TÜV
1740210-8	2.5	14	Minus	Blue	100	TÜV
1-1740210-0	4.0	12	Minus	Blue	100	TÜV
1-1740210-2	6.0	10	Minus	Blue	100	TÜV

#### Standards

TÜV approved

UL Listed

## AC Inverter Connector

### Technical Data

#### Electrical Features

Current Rating : 25 A per Pole

Voltage Rating : 400 V

#### Mechanical Features

Protection Degree : IP67 (mated)

No. of Positions : 5 Poles

Temperature Range : -40°C up to +50°C

Wire Size Range : 2.5 mm<sup>2</sup> - 6.0 mm<sup>2</sup>

#### Standards

Approvals VDE Certified



### Panel Mount Plug

Part Number	Nut	Cable Length (5 x 4.0 mm <sup>2</sup> )	Package Quantity
1740483-1	Metal	200 mm	24
1740483-2	Plastic	200 mm	24



### Free Hanging Receptacle

Part Number	Nut	Cable Length (5 x 4.0 mm <sup>2</sup> )	Package Quantity
1740479-1	--	--	24



### Complete Sets

Part Number	Nut	Cable Length (5 x 4.0 mm <sup>2</sup> )	Package Quantity
1740493-1	Metal	200 mm	24
1740493-2	Plastic	200 mm	24

## Solar Cable : Global TÜV and UL 4703

### Technical Data

#### Material

**Conductor** : Stranded tin plated copper

**Insulation** : Electron beam cross-linked polyolefin

**Sheath** : Electron beam cross-linked halogen free polyolefin

**Color** : Black, Blue, Red

#### Electrical Features

##### Voltage Rating

(as per TÜV requirement  
600/1000 VAC, 1800 V DC)  
: 1800/3000 VAC  
: 2600 VDC

##### Wire Size Range

: 2.5 mm<sup>2</sup> (AWG 14)  
: 4.0 mm<sup>2</sup> (AWG 12)  
: 6.0 mm<sup>2</sup> (AWG 10)

#### Standards

TÜV certified according to ZPfG  
1169/08.2007 (PV1-F) : RG0021060

UL certified according to UL Outline 4703  
(PV wire, type ZKLA) : E317230

**Fire Performance** : IEC 60332-1-2, UL 1581  
1080/VW1, EN 50267-2-1/2, EN 50305

**Conductor** : IEC 60228 class 5 (stranded  
and flexible tin plated copper wire)

### Features & Benefits

- TÜV and UL approved
- Dual wall insulation
- Electron beam cross-linked
- Excellent resistance to abrasion
- Halogen free, flame retardant, low toxicity
- Excellent flexibility and stripping performance
- Wire size from 2.5 mm<sup>2</sup> up to 6.0 mm<sup>2</sup>



As part of expanding the SOLARLOK product line, TE produces wire that is designed to meet the harsh environmental conditions typical of photovoltaic installations. The flexible, dual wall, halogen free and cross linked solar wire offers long term stability with TÜV UL approval. Its outstanding features include: high resistance against environmental conditions such as humidity, UV-radiation and ozone. In addition, it has excellent resistance to abrasion and temperature extremes. The wire has a high dielectric withstanding voltage and due to its fine-stranded, tin plated copper conductor, it is easy to handle, bend, route, and to strip.

### Global TÜV and UL 4703

Color	Part Number	Cross Section		Conductor		Diameter (mm)	Weight (kg/km)	Reel Package (m)
		mm <sup>2</sup>	AWG	Construction no. x mm	Max Diameter (mm)			
Black	956297-4	2.5	14	50 x 0,26	1.95	6,65 +0,15/-0,1	62.5	500
	956298-4	4.0	12	56 x 0,31	2.50	6,90 +/-0,10	75.8	500
	956299-4	6.0	10	84 x 0,31	3.05	7,35 +0,3/-0,25	95.5	500
	1-956297-4	2.5	14	50 x 0,26	1.95	6,65 +0,15/-0,1	62.5	100
	1-956298-4	4.0	12	56 x 0,31	2.50	6,90 +/-0,10	75.8	100
	1-956299-4	6.0	10	84 x 0,31	3.05	7,35 +0,3/-0,25	95.5	100
Red	956297-5	2.5	14	50 x 0,26	1.95	6,65 +0,15/-0,1	62.5	500
	956298-5	4.0	12	56 x 0,31	2.50	6,90 +/-0,10	75.8	500
	956299-5	6.0	10	84 x 0,31	3.05	7,35 +0,3/-0,25	95.5	500
	1-956297-5	2.5	14	50 x 0,26	1.95	6,65 +0,15/-0,1	62.5	100
	1-956298-5	4.0	12	56 x 0,31	2.50	6,90 +/-0,10	75.8	100
	1-956299-5	6.0	10	84 x 0,31	3.05	7,35 +0,3/-0,25	95.5	100
Blue	956297-6	2.5	14	50 x 0,26	1.95	6,65 +0,15/-0,1	62.5	500
	956298-6	4.0	12	56 x 0,31	2.50	6,90 +/-0,10	75.8	500
	956299-6	6.0	10	84 x 0,31	3.05	7,35 +0,3/-0,25	95.5	500
	1-956297-6	2.5	14	50 x 0,26	1.95	6,65 +0,15/-0,1	62.5	100
	1-956298-6	4.0	12	56 x 0,31	2.50	6,90 +/-0,10	75.8	100
	1-956299-6	6.0	10	84 x 0,31	3.05	7,35 +0,3/-0,25	95.5	100



## Solar Cable : Type USE-2

### Technical Data

#### Electrical Features

Voltage Rating : 600 V DC

#### Mechanical Features

Operating Temperature : up to +90°C

#### Standards

UL certified to 854 (USE-2) : 10-14 AWG

UL File E314122 and E314123



### Features & Benefits

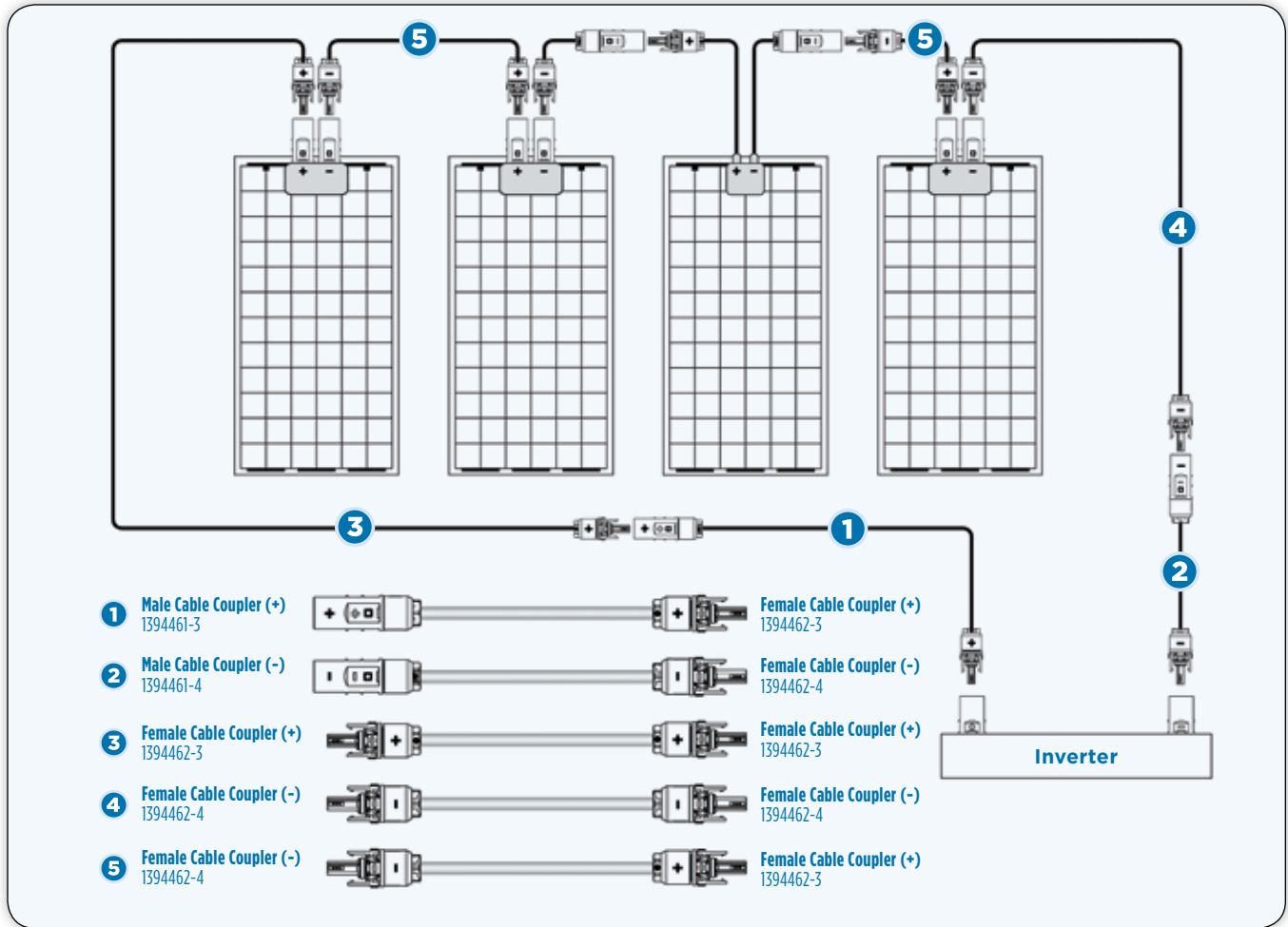
- Insulation provides resistance to U.V., water, ozone, fluids, salt, gasoline, and petroleum general weathering
- High strand count conductor provides flexibility and stripping performance
- Multiple cable diameters available

USE-2 approved solar cable - for the North American market UL approved cable is offered in 10 through 14 AWG. This cable is approved for USE-2, XHHW-2, RHW-2, or RHH. Sunlight, gasoline, and petroleum resistance make this an ideal cable for any solar installation in North America. A high strand count increases the flexibility and tinned copper wire strands ease the use of this cable.

### Type USE-2 (For US Installation), UL Approved Cable

Color	Part Number	Cross Section AWG	Diameter (inch)	Reel Package (ft)
Black	1986166-1	14	0.17	7,500
	1986166-2	14	0.17	500
	1986166-3	14	0.17	2,500
	1986165-1	12	0.19	7,500
	1986165-2	12	0.19	500
	1986165-3	12	0.19	2,500
	1986164-1	10	0.21	7,500
	1986164-2	10	0.21	500
	1986164-3	10	0.21	2,500

## Wiring Example with Extension Cables



Configuration Example at 4.0 mm<sup>2</sup>

## Cable Assembly

Cable Assembly Version	Part Numbers for Cable Length				
	1 m	3 m	5 m	10 m	20 m
1	1987376-1	1987376-2	1987376-3	1987376-4	1987376-5
2	1-1987376-1	1-1987376-2	1-1987376-3	1-1987376-4	1-1987376-5
3	2-1987376-1	2-1987376-2	2-1987376-3	2-1987376-4	2-1987376-5
4	3-1987376-1	3-1987376-2	3-1987376-3	3-1987376-4	3-1987376-5
5	4-1987376-1	4-1987376-2	4-1987376-3	4-1987376-4	4-1987376-5

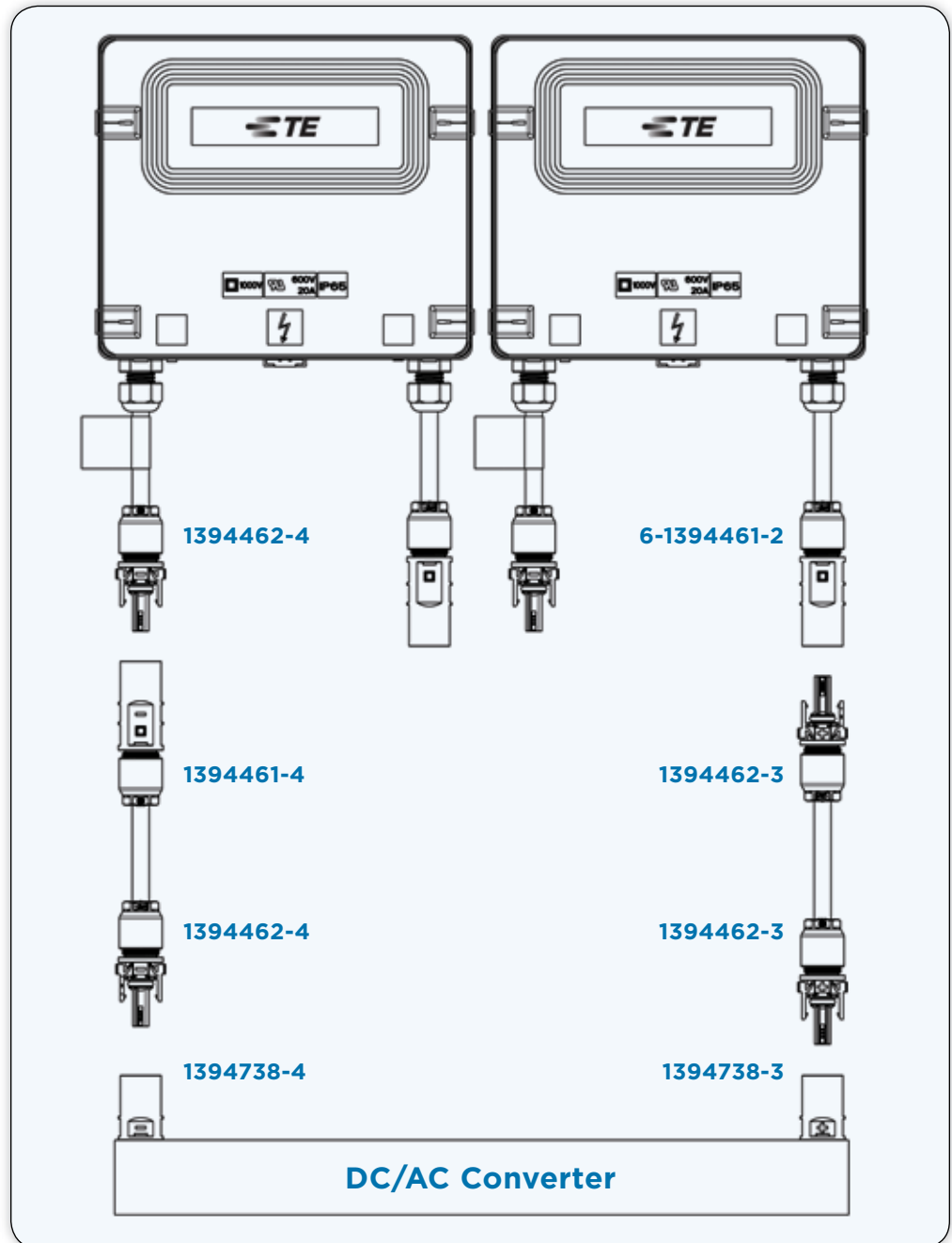
More variants (cable length, wire diameter, color) upon request.





## Interconnection Examples

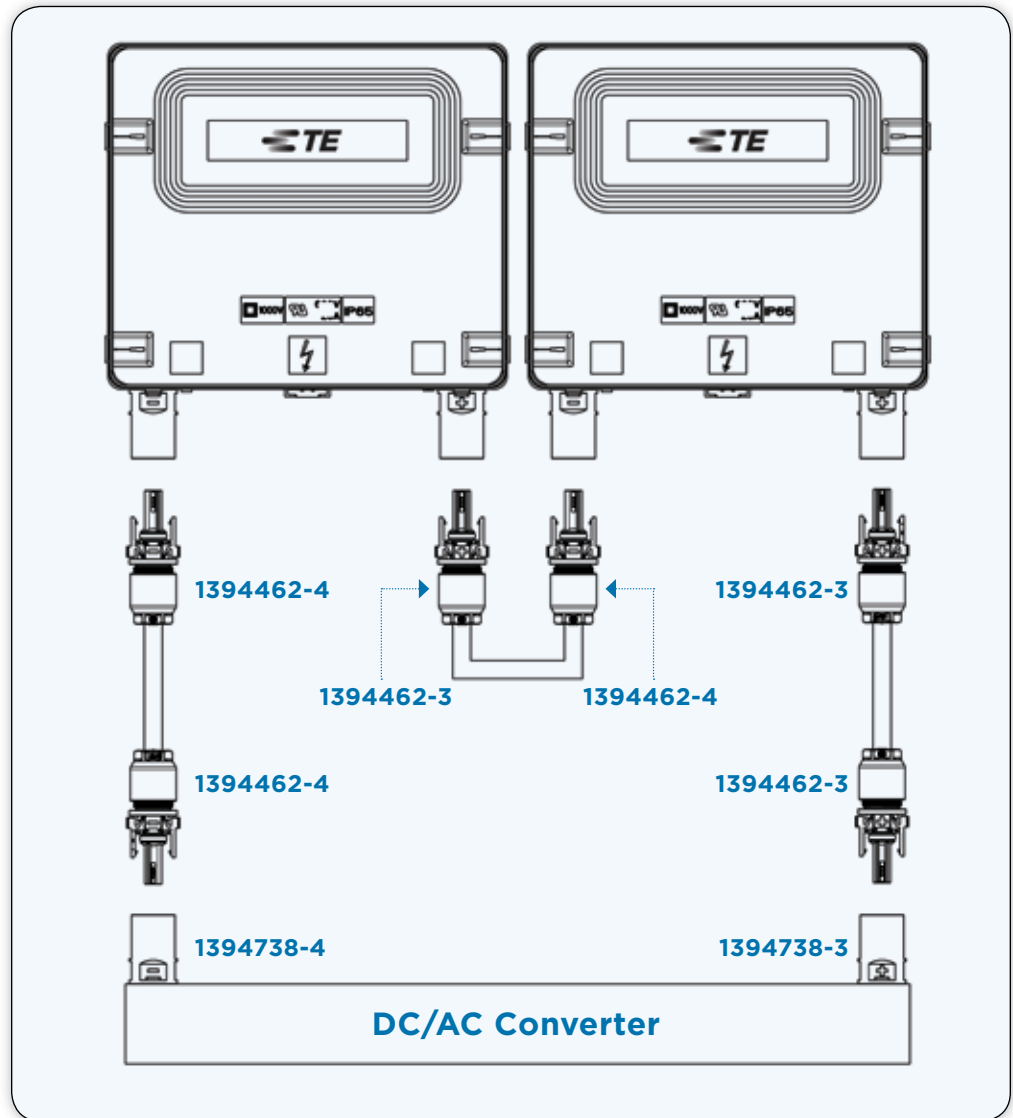
### Serial Interconnection for Junction Boxes with Cable Glands (4.0 mm<sup>2</sup> / 12 AWG Wiring)





## Interconnection Examples (continued)

### Serial Interconnection for Junction Boxes with Plug Connectors (4.0 mm<sup>2</sup> / 12 AWG Wiring)



## Application Tooling

### Cable Assembly Tooling Specs

- 1 Hand Crimp Tool**  
 for Screw Machine Contacts  
 Includes Crimp Head & Locator  
 PN : 1-1579004-1 (1.5 mm<sup>2</sup> & 2.5 mm<sup>2</sup>)  
 : 1-1579004-2 (4.0 mm<sup>2</sup> & 6.0 mm<sup>2</sup>)
- 2 Extraction Tool**  
 (suitable for all wire sizes)  
 PN : 1102855-3
- 3 Insulator Stripper**  
 Includes length stop for all wire size  
 (Suitable for our Solar Cable)  
 PN : 4-1579002-2 (1.5 mm<sup>2</sup>, 2.5 mm<sup>2</sup>,  
 4.0 mm<sup>2</sup> and 6.0 mm<sup>2</sup>)



### SOLARLOK Electric Terminator CS 200

Base Machine : PN : 539630-1

#### Electrical Terminator CS 200 for Screw Machine Contacts

Adaptor for Crimp Head  
 PN : 1579000-4

Crimp Head  
 (1.5 mm<sup>2</sup> and 2.5 mm<sup>2</sup>)  
 PN : 7-1579001-8

Crimp Head  
 (4.0 mm<sup>2</sup> and 6.0 mm<sup>2</sup>)  
 PN : 7-1579001-9

Crimp Head (AWG 10)  
 PN : 8-1579001-2

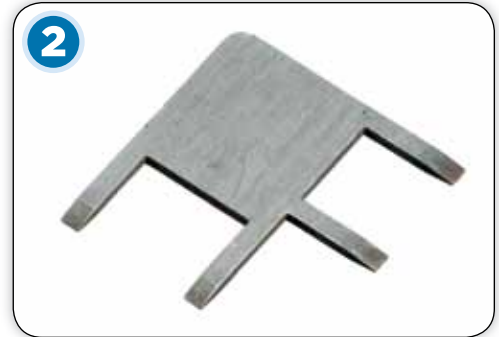
Crimp Head (AWG 12)  
 PN : 5-1579001-5



## Application Tooling (continued)

### Junction Box Assembly Tooling

- 1** Wire Spring Clamp Tool  
PN : 1579007-2
- 2** Dioden/Jumper Spring Clamp Tool  
PN : 1579007-5
- 3** Foil Spring Clamp Tools
  - 6 Rail Large Box (Shown)  
PN : 1579007-3
  - 5 Rail (Not Shown)  
PN : 1740969-3
  - 4 Rail Medium Box (Not Shown)  
PN : 1740969-1
  - 3 Rail Small Box (Not Shown)  
PN : 1740969-2



### Connector Assembly Tooling

- 4** Hexagon Spanner Head for torque Wrench  
PN : 523229-1
- 5** Torque Wrench,  
PN : 2161345-1

### Field Service Kit

Part Number : 1534858-1  
(Metric Wire)

#### Included in Kit:

- Hand Crimp Tool**  
PN : 1-1579004-2
- Extraction Tool**  
PN : 1102855-3
- Insulation Stripper**  
PN : 4-1579002-2
- 100 Cable Coupler (Housings, Plus and Minus coded)  
\*Cable outer diameter 5.5 mm to 8.0 mm
- Crimp Contacts (4.0 mm<sup>2</sup> and 6.0 mm<sup>2</sup>)
- Pinch ring
- Seals



### SOLARLOK INSTALLER STARTER KIT

Part Number : 5-1579010-4

#### Included in Kit:

- Hand Crimp Tool**  
PN : 1-1579004-2
- Extraction Tool**  
PN : 1102855-3
- 20 Cable Coupler (Housings, Plus and Minus coded)  
\*Cable outer diameter 5.5 mm to 8.0 mm
- Crimp Contacts (6.0 mm<sup>2</sup>)
- SOLARLOK Field Manual
- Instruction Sheets



### Assembly and Installation Guidelines SOLARLOK plug connectors

**ATTENTION** : This connector is to be used only to interconnect firmly fixed cables

**DO NOT DISCONNECT UNDER LOAD** : Current path should only be disconnected using approved disconnect devices.

**SOLARLOK component cable can be labeled with label PN : 1718077-1.  
(DO NOT DISCONNECT UNDER LOAD)**

**PROTECT AGAINST SHOCK** : Ensure that conductors and their associated connectors are separated from opposite polarity components.

## IMPORTANT NOTE

Mounting and installation must be done by qualified and trained staff considering all applying safety regulations. Failure to follow all instructions in Application Specification 114-18488 (available at [www.tycoelectronics.com/documents](http://www.tycoelectronics.com/documents)), including using only approved TE tooling (if applicable), can result in improper installation and/or crimping which is dangerous and may cause or contribute to electrical fires. Should be used only by individuals with proper training and experience.

### General Comments

Any kind of pollution (dust, oil, humidity, etc.) during the assembly process or to the unmated connector can degrade contact and connector performance. This applies in particular to the seals and the crimping of the contacts. A clean assembly environment is essential.

### Termination of the Cable Wires and Crimping of the Contacts

- SOLARLOK connectors use different crimp contacts for various wire gauges.
- Possible wire gauges are 2.5 mm<sup>2</sup>, 4.0 mm<sup>2</sup>, and 6.0 mm<sup>2</sup>, AWG 14, AWG 12 and AWG 10.
- The tools to be used are selected based upon the wire gauge.
- For the application specification, please refer to specification #114-18488.

### 3.1 Handling of the Connectors

When assembling the connectors, the following sequence must be followed:

- 1 : Stripping the wire to 9 +/- 1mm without damaging the strands (please refer to application specification **#114-74013**)



Fig.1

## Assembly and Installation Guidelines (continued)

### 3.1 Handling of the Connectors (continued)

**2 :** Insert the stripped wire into the wire crimp barrel until it stops.

**3 :** While holding the wire in place, squeeze tool handles together until ratchet releases.



**Fig. 2**

**4 :** Push contact with cable into the connector housing (include seal/pinch ring combination and backshell) until you hear the contact is locked into position. To verify contact engagement, give a gentle pull back on the cable to be sure the contact is locked.



**Fig. 3**

**5 :** Tighten backshell nut to 1.3 +0.2 Nm.  
(For tooling, please refer to page 33, item 5)



**Fig. 4**

### Assembly and Installation Guidelines (continued)

#### 3.2 Connector Latching **When mating the SOLARLOK connectors, ensure the following:**

**1** : Connectors labeled with a plus or minus are keyed and can only be mated to similarly marked and keyed connectors.

**CAUTION : THE “NEUTRAL” DESIGNATED PIN CONNECTORS INCORPORATE NO KEYING FEATURES AND MUST ONLY BE USED FOR SERIAL INTERCONNECTION OF PHOTOVOLTAIC MODULES. THE NEUTRAL PRODUCT SHOULD NOT BE USED WHERE MAINTAINING POLARITY IS CRITICAL.**

**2** : The polarity of the “neutral” connector should be labeled with **Part Number : 1394725-1 or 1394725-2.**

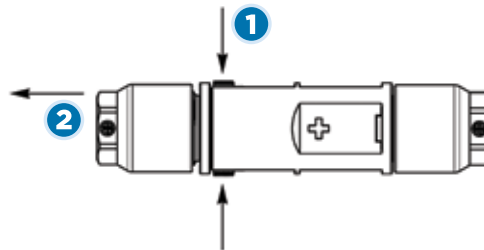
**3** : The connector system is fully latched only when the latches are flush with the mating connectors. After the connector is fully latched, the optional latch locking clip may be snapped, with a click, into place.



**Fig. 5**  
(female connector)

#### 3.3 Disconnecting **CAUTION : DO NOT DISCONNECTED UNDER LOAD.**

Disconnect circuit load before unplugging connectors by using approved devices (DC main switch, inverter connector and other devices). Cable assemblies should be labeled with **part number : 1394470-1.**



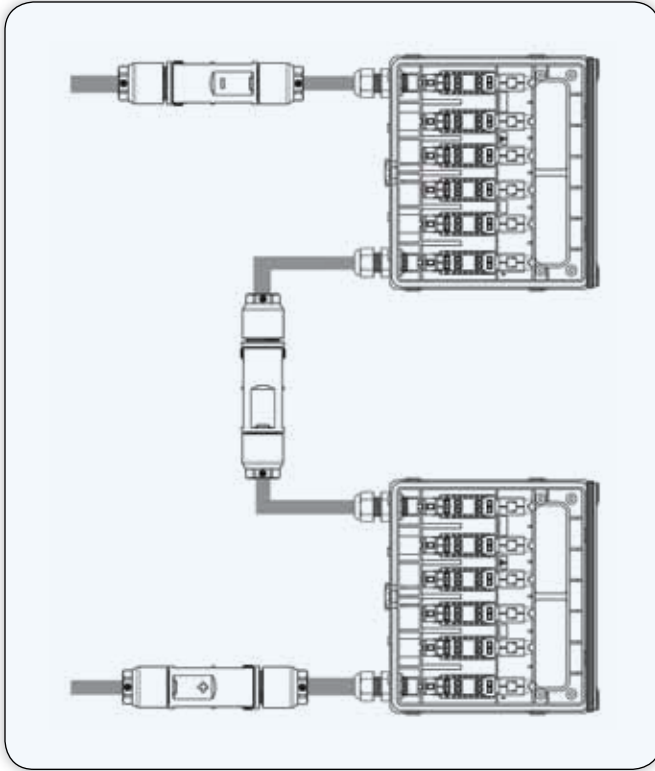
**Fig. 6**

**1** : The locking mechanism is opened by depressing the latches.

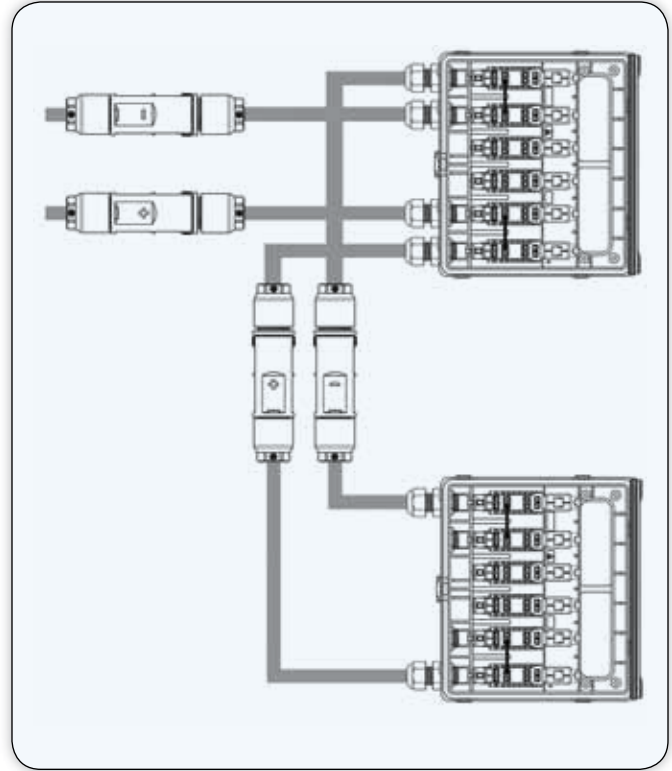
**2** : Pull out the connectors. While depressing the latches, disconnect the connector by pulling the connector halves apart.

## Assembly and Installation Guidelines (continued)

### Application Examples



**Fig. 7** : Serial (Wire Diagram)

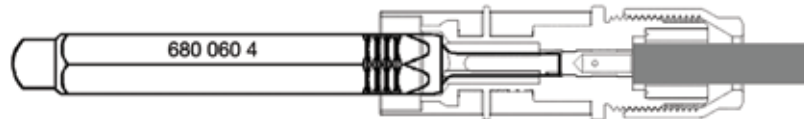


**Fig. 8** : Parallel (Wire Diagram)

**Storage** See product specification **108-18701**

**Tooling** Find available tools for the contact crimping on page 32 (please specify the required wire gauge). An extraction tool (**part number 1102855-3**) is needed to disassemble the connector components. The tool is used to unlock the contact retention features, after which the contact can be removed and re-used one time if necessary.

### Technical Description



**Fig. 9**

### PV Manufacturers Numerical Index

Part Number	Page	Part Number	Page	Part Number	Page
HM-064064-25-8A	16	HW-114040-25-9	17	HW-762508-2.5-9	17
HM-089047-10-8A	16	HW-127032-10-9	17	956297-4	26
HM-095080-25-8A	16	HW-127064-10-9	17	956297-5	26
HM-095095-10-8A	16	HW-127111-10-9	17	956297-6	26
HM-127111-10-8A	16	HW-127127-10-9	17	1-956297-4	26
HM-127127-10-8A	16	HW-165051-25-9	17	1-956297-5	26
HM-191064-10-8A	16	HW-171171-10-9	17	1-956297-6	26
HM-191114-15-8A	16	HW-178095-10-9	17	956298-4	26
HM-254064-10-8A	16	HW-191064-10-6	17	956298-5	26
HM-254127-10-8A	16	HW-191064-10-9	17	956298-6	26
HM-254254-10-8A	16	HW-203127-10-9	17	1-956298-4	26
HM-318097-10-8A	16	HW-229064-10-9	17	1-956298-5	26
HM-381064-10-8A	16	HW-254064-10-9	17	1-956298-6	26
HM-381127-5-8A	16	HW-254097-10-9	17	956299-4	26
HM-381191-5-8A	16	HW-254127-10-4	17	956299-5	26
HM-381381-2.5-8A	16	HW-254254-10-9	17	956299-6	26
HM-381635-5-8A	16	HW-318064-10-9	17	1-956299-4	26
HM-445064-10-8A	16	HW-318097-10-9	17	1-956299-5	26
HM-445445-2-8A	16	HW-381064-10-9	17	1-956299-6	26
HM-508064-10-8A	16	HW-381127-5-9	17	1394461-1	20
HM-508127-5-8A	16	HW-381191-5-9	17	1394461-2	20
HM-508254-5-8A	16	HW-445102-5-9	17	1394461-3	20
HM-508318-2.5-8A	16	HW-478175-5-9	17	1394461-4	20
HM-508508-3-8A	16	HW-508064-10-9	17	1394461-7	20
HM-762381-2.5-8A	16	HW-508095-5-9	17	1394461-8	20
HM-762508-2.5-8A	16	HW-508127-5-9	17	6-1394461-1	20
HM-101508-2.5-8A	16	HW-508254-5-9	17	6-1394461-2	20
HM-101635-2.5-8A	16	HW-508318-2.5-9	17	6-1394461-3	20
HM-101101-1.3-8A	16	HW-523841-1.5-9	17	6-1394461-4	20
HW-064064-25-9	17	HW-699191-5-9	17	6-1394461-5	20
HW-080080-10-9	17	HW-699254-5-9	17	6-1394461-6	20
HW-089047-10-9	17	HW-762127-1-9	17	7-1394461-0	20
HW-095095-10-9	17	HW-762254-5-9	17	7-1394461-1	20




### PV Manufacturers Numerical Index (Continued)

Part Number	Page	Part Number	Page	Part Number	Page
7-1394461-2	20	1740077-3	8	1740940-4	22
7-1394461-3	20	1740210-1	24	1740969-1	33
7-1394461-4	20	1740210-2	24	1740969-2	33
7-1394461-5	20	1740210-3	24	1740969-3	33
1394462-1	20	1740210-4	24	1740971-2	10
1394462-2	20	1740210-5	24	1740972-1	10
1394462-3	20	1740210-6	24	1954381-1	19
1394462-4	20	1740210-7	24	1954381-2	19
4-1394462-6	20	1740210-8	24	1954381-3	19
4-1394462-7	20	1740210-9	24	1954381-4	19
4-1394462-8	20	1-1740210-0	24	1954381-5	19
4-1394462-9	20	1-1740210-1	24	1971569-1	15
5-1394462-5	20	1-1740210-2	24	1971569-2	15
5-1394462-6	20	1740277-1	23	1971131-1	15
6-1394462-3	20	1740277-2	23	1971131-2	15
6-1394462-4	20	1740300-2	8	1971133-1	15
2-1394723-4	8	1740425-5	12	1986164-1	27
3-1394723-0	8	1740479-1	25	1986164-2	27
5-1394723-3	8	1740483-1	25	1986164-3	27
6-1394723-4	8	1740483-2	25	1986165-1	27
6-1394735-5	8	1740493-1	25	1986165-2	27
1394738-1	24	1740493-2	25	1986165-3	27
1394738-2	24	1740657-8	11	1986166-1	27
1394739-1	24	1740658-1	11	1986166-2	27
1394738-3	24	1740699-6	10	1986166-3	27
1394738-4	24	3-1740699-9	11	1987002-4	10
1394738-9	24	1-1740657-2	11	1987003-3	10
1-1394738-0	24	3-1740699-8	11	1987252-6	12
1418867-6	12	1740700-1	10	1987252-1	12
1534611-1	23	1740939-2	22	1987254-2	8
1534611-2	23	1740939-4	22	1987280-1	22
1534226-1	23	1740939-5	22	1987280-2	22
1740077-1	8	1740940-3	22	1987280-4	22

### PV Manufacturers Numerical Index (Continued)

### Tooling

Part Number	Page	Part Number	Page	Part Number	Page
1987281-1	22	4-1987376-3	28	2134417-2	13
1987281-2	22	4-1987376-4	28	2134417-3	13
1987281-3	22	4-1987376-5	28	174969-1	33
1987286-4	21	1987419-1	23	523229-1	33
1987286-5	21	1987423-1	23	539630-1	32
1987286-6	21	1987459-1	12	1102855-3	32,33
1987287-1	21	1987558-1	21	1-1579004-1	32,33
1987287-2	21	1987558-2	21	1-1579004-2	32,33
1987293-3	16	1987558-3	21	1534858-1	33
1-1987293-4	14	1-1987558-1	21	1579000-4	32
1987294-2	8	1-1987558-2	21	8-1579001-2	32
1987376-1	28	1-1987558-3	21	5-1579001-5	32
1987376-2	28	1987559-1	21	7-1579001-8	32
1987376-3	28	1987559-2	21	7-1579001-9	32
1987376-4	28	1-1987559-1	21	4-1579002-2	32,33
1987376-5	28	1-1987559-2	21	1579007-2	33
1-1987376-1	28	1987771-1	12	1579007-3	33
1-1987376-2	28	1987858-3	9	1579007-5	33
1-1987376-3	28	1987982-3	9	5-1579010-4	33
1-1987376-4	28	1987994-1	11	1740969-2	33
1-1987376-5	28	1987995-1	11	1740969-3	33
2-1987376-1	28	1987987-1	8	2161345-1	33
2-1987376-2	28	1987988-1	8		
2-1987376-3	28	2058729-1	18		
2-1987376-4	28	2106831-1	18		
2-1987376-5	28	2106207-1	23		
3-1987376-1	28	2120382-1	24		
3-1987376-2	28	2120382-3	24		
3-1987376-3	28	2120382-5	24		
3-1987376-4	28	2120382-2	24		
3-1987376-5	28	2120382-4	24		
4-1987376-1	28	2120382-6	24		
4-1987376-2	28	2134417-1	13		



We are a leading manufacturer of electronic components and solutions for solar energy. Our growing presence in the photovoltaic and solar thermal industry is backed by our innovative, extensive and high quality products to meet your individual needs.

**[te.com/solar](https://te.com/solar)**

## FOR MORE INFORMATION

### TE Technical Support Center

Internet	te.com/help
USA:	+1 (800) 522-6752
Canada:	+1 (905) 475-6222
Mexico	+52 (0) 55-1106-0800
Latin/S. America:	+54 (0) 11-4733-2200
Germany:	+49 (0) 6251-133-1999
UK:	+44 (0) 800-267666
France:	+33 (0) 1-3420-8686
Netherlands:	+31 (0) 73-6246-999
China:	+86 (0) 400-820-6015

Part numbers in this brochure are RoHS Compliant\*, unless marked otherwise.

\*as defined [www.te.com/leadfree](http://www.te.com/leadfree)

### te.com

© 2011 Tyco Electronics Corporation, a TE Connectivity Ltd. company. All Rights Reserved.

3-1773458-7 CIS FP 3M 04/2011

SOLARLOK, TE Connectivity, TE connectivity (logo) and TE (logo) are trademarks.

Other logos, product and/or company names might be trademarks of their respective owners.

While TE has made every reasonable effort to ensure the accuracy of the information in this brochure, TE does not guarantee that it is error-free, nor does TE make any other representation, warranty or guarantee that the information is accurate, correct, reliable or current. TE reserves the right to make any adjustments to the information contained herein at any time without notice. TE expressly disclaims all implied warranties regarding the information contained herein, including, but not limited to, any implied warranties of merchantability or fitness for a particular purpose. The dimensions in this catalog are for reference purposes only and are subject to change without notice. Specifications are subject to change without notice. Consult TE for the latest dimensions and design specifications.

