



Ordering number C12086
Description C12086-Strada-FW-XP-G

Family	Strada-Forward	FWHM	Asym degrees
Type	Lens	Efficiency	92 %
LED	XP-G	cd/Im	-
Color	Transparent	Gerber File	Available
Diameter	15.4 x 19.6 mm		
Height	10.8 mm		
Style	Rectangular		http://www.ledil.fi/Strada-F_Fully_Asymmetrical_Forward_Thro
Optic Material	PMMA		
Holder Material	-		
Fastening	Glue		
Status	Ready		

Ordering number CA12087
Description CA12087-Strada-FW-Tape-XP-G

Family	Strada-Forward	FWHM	Asym degrees
Type	Lens	Efficiency	92 %
LED	XP-G	cd/Im	-
Color	Transparent	Gerber File	Available
Diameter	15.4 x 19.6 mm		
Height	10.8 mm		
Style	Rectangular		http://www.ledil.fi/Strada-F_Fully_Asymmetrical_Forward_Thro
Optic Material	PMMA		
Holder Material	-		
Fastening	Tape		
Status	Ready		

...ence will be changed by different color, chip size and chip position
...l divergence is the full angle measured where the luminous intensity
is half of the peak value.



PRODUCT DATASHEET Strada-FW series



GENERAL INFORMATION

- Product series especially designed & optimized for XP-G series of LEDs.
- Special care taken to make light distribution as uniform as possible.
- Lens material optical grade PMMA with high UV and temperature resistance (105 degrees of Celcius / 220 degrees of Fahrenheit). Allows use of high current and temperature conditions.

Please find more information about used material from below:

http://ledil.fi/sites/default/files/Documents/Technical/Material/PMMA%20N%20UL94_Yellow%20Card.pdf

<http://ledil.fi/sites/default/files/Documents/Technical/Material/PMMA%20N%20PLEXIGLAS-Datasheet.pdf>

- Fastening to heat sink with a PU foam adhesive tape of automotive grade. Please find fastening details by clicking link: http://www.ledil.com/datasheets/DataSheet_TAPE.pdf

- Fastening to PCB with appropriate adhesive. By clicking link below you can find Ledil recommended glue options.

http://www.ledil.com/datasheets/DataSheet_GLUES.pdf

NOTE 1: We advise customer to ensure the suitability and sufficiency of the bond in the end product. For example, mechanical stress, vibration and holes on the surface of the circuit board weaken the strength of the tape.

NOTE 2: Assembly to the surface must be made straight, so the tape bonds constant and balanced with fastening surface. Slanted assembly might cause unbalanced bond to the surface. All surfaces where tape is applied must be clean, dry and free from grease and dirt.

If cleaning of PCB surfaces is needed, please follow strictly the cleaning instructions of your LED manufacturer - this is important as cleaning shall under no circumstances damage LEDs or other electronics components on the PCB.

Further note that optical components shall not be cleaned with any chemicals - only micro fiber cloth may be used to remove fingerprints or other traces from handling.

NOTE 1: We advise customer to ensure the suitability and sufficiency of the bond in the end product. For example, mechanical stress, vibration and holes on the surface of the circuit board weaken the strength of the glue.

NOTE 2: All surfaces where glue is applied must be clean, dry and free from grease and dirt. If cleaning of PCB surfaces is needed, please follow strictly the cleaning instructions of your LED manufacturer -this is important as cleaning shall under no circumstances damage LEDs or other electronics components on the PCB.

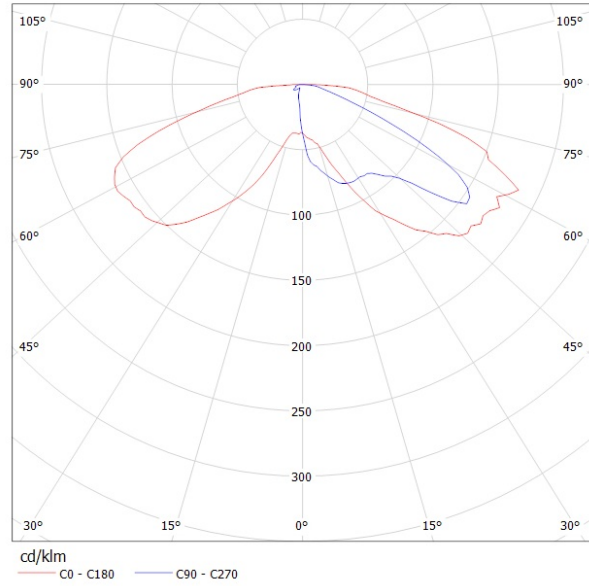
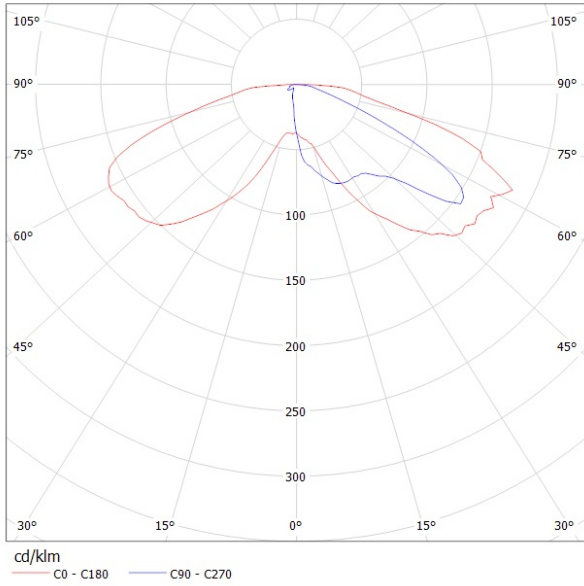
Further note that optical components shall not be cleaned with any chemicals - only micro fiber cloth may be used to remove fingerprints or other traces from handling.

C12086

Luminaire: Ledil Oy C12086_Strada-FW-XP-G (XP-G)
Lamps: 1 x Cree XP-G 86.9 lm @ 250mA

CA12087

Luminaire: Ledil Oy C12086_Strada-FW-XP-G (XP-G)
Lamps: 1 x Cree XP-G 86.9 lm @ 250mA



D

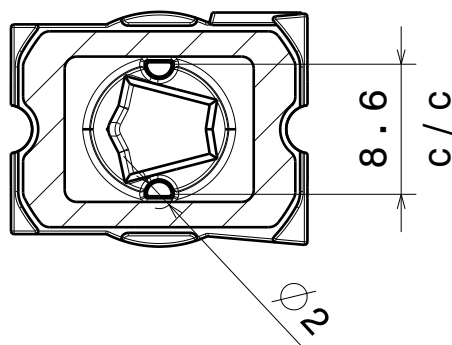
C

B

A

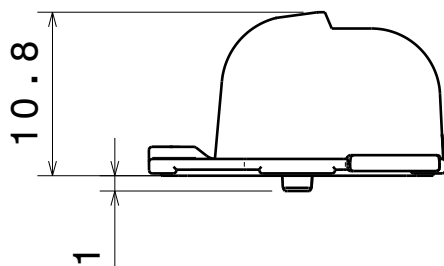
4

4



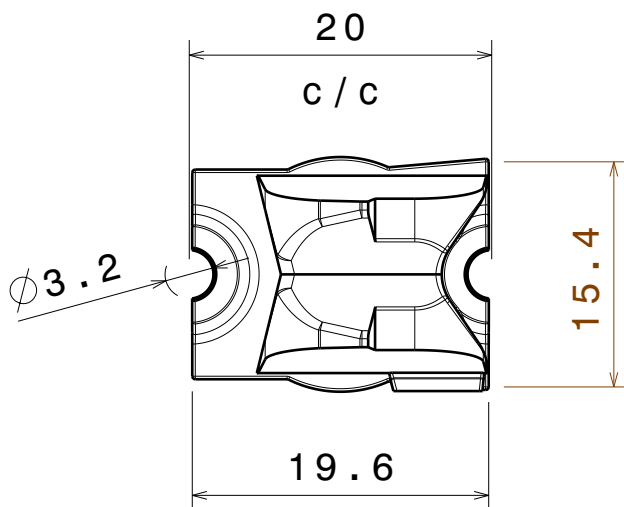
3

3



2

2



Top view
Scale: 2:1

MATERIALS
Lens: PMMA
tape: Pu foam with PSA

This drawing is our property.
It can't be reproduced
or communicated without
our written agreement.



Ledil Oy
Salorankatu 10
24240 SALO
Finland

DRAWING TITLE

Datasheet Strada-FW assy

DRAWN BY

pv

DATE

23.8.2011

CHECKED BY

ah

DATE

22.8.2011

SIZE

A4

DRAWING NUMBER

CA12087

REV

1

DESIGNED BY

hh

DATE

22.8.2011

SCALE

2:1

WEIGHT (g)

SHEET

1/1

D

A

1

1