

52mm sq.

San Ace 52

15mm thick (GA type)



General Specifications With a pulse sensor Specifications for pulse sensors ⇔ Refer to Page 297

With PWM speed control function ⇔ Refer to Page 299

- Material Frame: Plastics (Flammability: UL94V-0),
Impeller: Plastics (Flammability: UL94V-0)
- Expected Life Varies for each model (L10: Survival rate: 90% at 60°C ,
rated voltage, and continuously run in a free air state)
- Lead Wire ⊕red ⊖black Sensor yellow Control brown
- Storage Temperature -30°C to +70°C (Non-condensing)

52×52×15mm (Mass : 40g)

GA type



Specifications

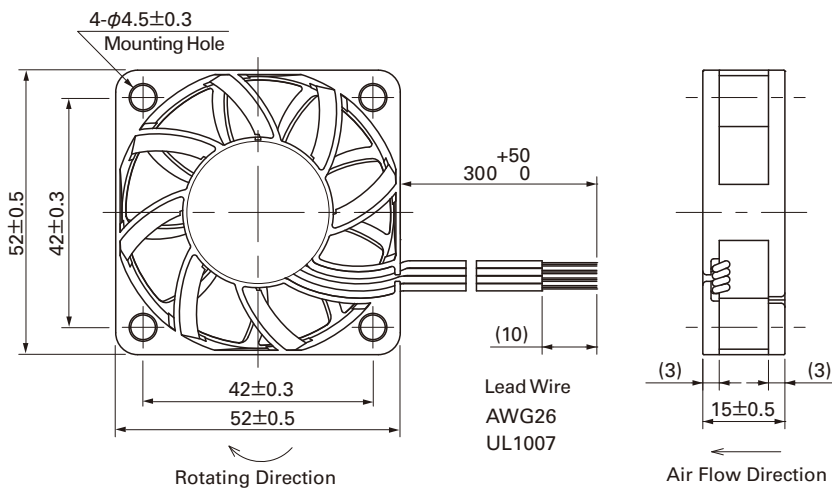
Model No.	Rated Voltage [V]	Operating Voltage Range [V]	PWM duty cycle ^{Note①} [%]	Rated Current [A]	Rated Input [W]	Rated Speed [min ⁻¹]	Max. Air Flow [m ³ /min] [CFM]	Max. Static Pressure [Pa] [inchH ₂ O]	SPL [dB(A)]	Operating Temperature [°C]	Expected Life [h]
9GA0512P7G001	12	10.2 to 13.8	100	0.13	1.56	7,800	0.50 17.7	91.5 0.367	38	-10 to +70	40,000
9GA0512P7A001				0.08	0.96	6,300	0.40 14.1	59 0.237	32		
9GA0512P7H001				0.05	0.60	4,300	0.275 9.7	27.5 0.110	22		
9GA0512P7M001				0.04	0.48	3,400	0.215 7.6	17 0.068	16		
9GA0524P7G001	24	20.4 to 27.6	100	0.07	1.68	7,800	0.50 17.7	91.5 0.367	38		
9GA0524P7A001				0.05	1.20	6,300	0.40 14.1	59.0 0.237	32		
9GA0524P7H001				0.03	0.72	4,300	0.275 9.7	27.5 0.110	22		
9GA0524P7M001				0.02	0.48	3,400	0.215 7.6	17.0 0.068	16		

Note : Fan does not rotate when PWM duty cycle is 0%.

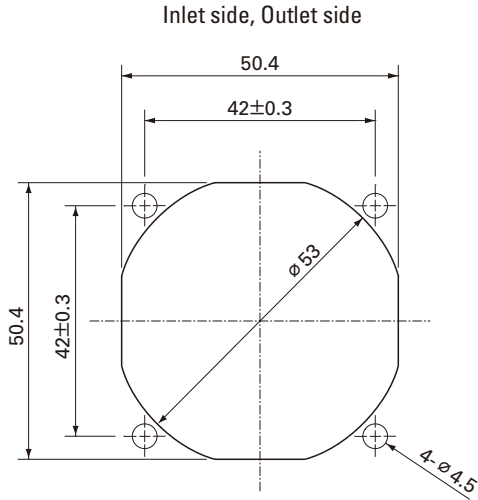
※PWM Frequency : 25kHz

Without Sensor Pulse Sensor PWM Control Available in all models.

Dimensions (Unit : mm)



Reference dimension of mounting holes and vent opening (Unit : mm)

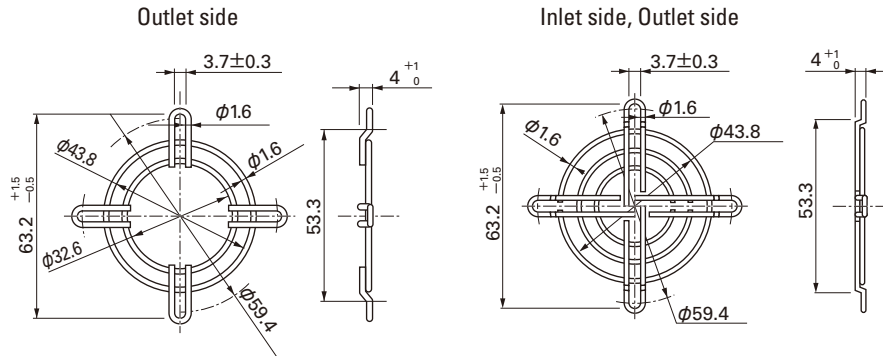


Options (Unit : mm)

Finger guards

Model : 109-149 Surface treatment : Nickel-chrome plating Color (silver)

Model : 109-149E Surface treatment : Nickel-chrome plating Color (silver)



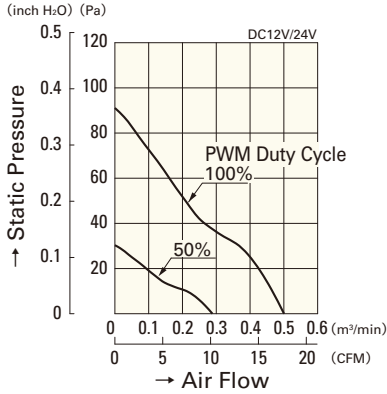
52mm sq.

San Ace 52

52×52×15mm [Mass : 40g]

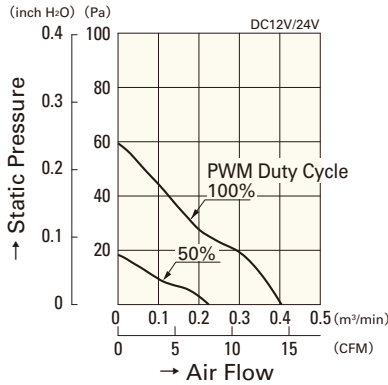
Air Flow - Static Pressure Characteristics

PWM Duty Cycle



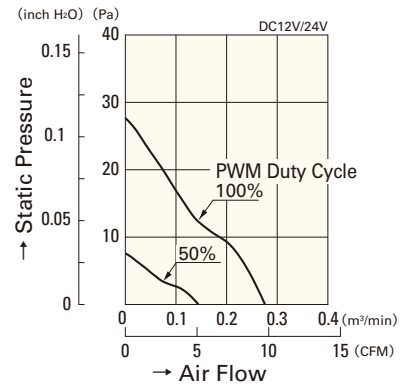
9GA0512P7G001

9GA0524P7G001



9GA0512P7A001

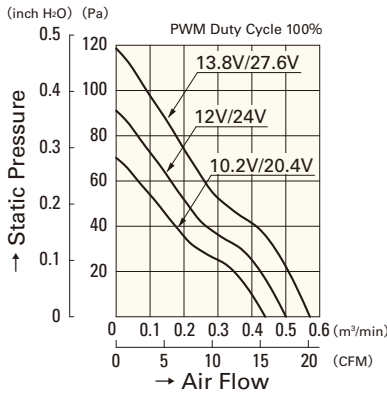
9GA0524P7A001



9GA0512P7H001

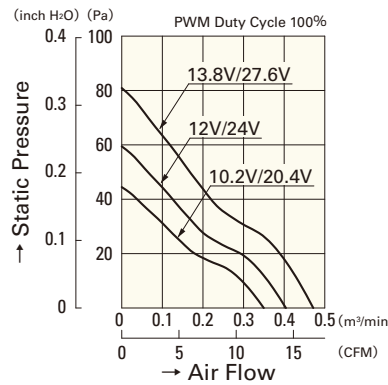
9GA0524P7H001

Operating Voltage Range



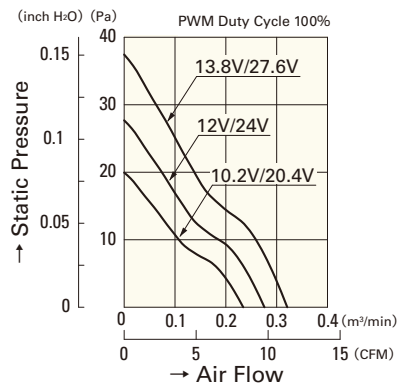
9GA0512P7G001

9GA0524P7G001



9GA0512P7A001

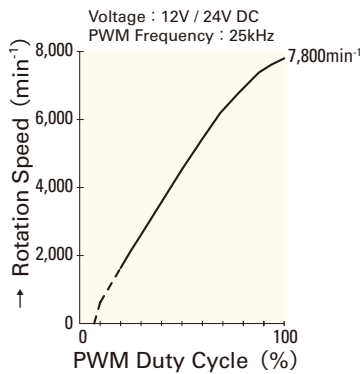
9GA0524P7A001



9GA0512P7H001

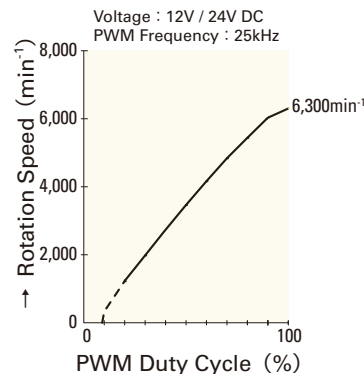
9GA0524P7H001

PWM Duty - Speed Characteristics Example



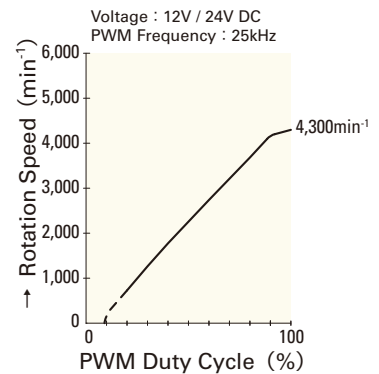
9GA0512P7G001

9GA0524P7G001



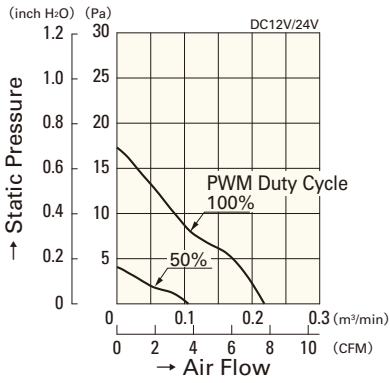
9GA0512P7A001

9GA0524P7A001



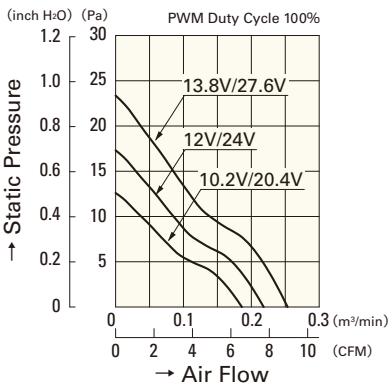
9GA0512P7H001

9GA0524P7H001



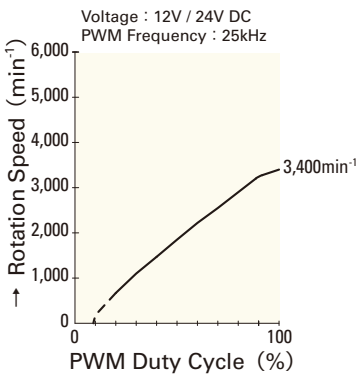
9GA0512P7M001

9GA0524P7M001



9GA0512P7M001

9GA0524P7M001



9GA0512P7M001

9GA0524P7M001

Mouser Electronics

Authorized Distributor

Click to View Pricing, Inventory, Delivery & Lifecycle Information:

[Sanyo Denki:](#)

[9GA0512P7G001](#) [9GA0512P7H001](#) [9GA0524P7G001](#) [9GA0524P7H001](#)