

120mm sq.

San Ace 92W

38mm thick(WV type), 38mm thick(WP type)
38mm thick(WG type), 38mm thick(WS type)



General Specifications With a pulse sensor Specifications for pulse sensors ⇨ Refer to Page 297

With PWM speed control function ⇨ Refer to Page 299

- Material Frame: Aluminum, Impeller: Plastics (Flammability: UL94V-1)
- Expected Life Varies for each model (Indoor, L10: Survival rate: 90% at 60°C , rated voltage, and continuously run in a free air state)
- Lead Wire ⊕red ⊖black (Sensor) yellow (Control) brown
- Storage Temperature -30°C to +70°C (Non-condensing)

120×120×38mm [Mass : 440g] **IP 55** Dust resistant device with protection against water jets **WV type**

Specifications

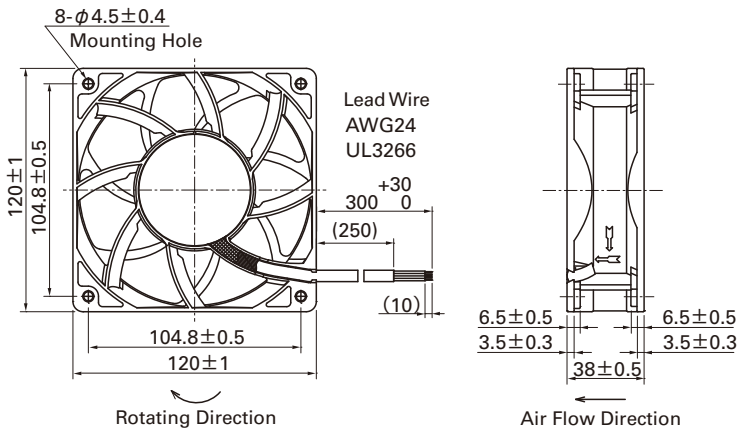
Model No.	Rated Voltage [V]	Operating Voltage Range [V]	PWM duty cycle* [%]	Rated Current [A]	Rated Input [W]	Rated Speed [min ⁻¹]	Max. Air Flow [m ³ /min] [CFM]	Max. Static Pressure [Pa] [inchH ₂ O]	SPL [dB(A)]	Operating Temperature [°C]	Expected Life [h]
9WV1224P1H001 ^{Note)}	24	20.4 to 27.6	100	0.80	19.2	5,200	5.16 182	237 0.95	58	-10 to +70	60,000
9WV1248P1J001	48	40.8 to 55.2	100 0	0.65 0.06	31.2 2.88	6,400 1,500	6.35 224 1.49 52.6	360 1.45 26.1 0.106	64 33		

Note: Rated voltage 12V fans do not rotate when PWM duty cycle is 0%.

※PWM Frequency : 25kHz

Without Sensor Pulse Sensor PWM Control Available in all models.

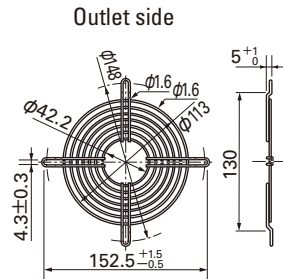
Dimensions (Unit : mm)



Options (Unit : mm)

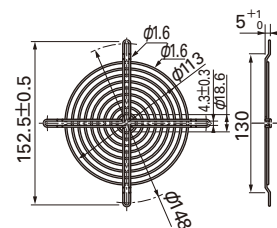
Finger guards

Model : 109-019C Surface treatment : Nickel-chrome plating (silver)
: 109-019H : Cation electropainting (black)

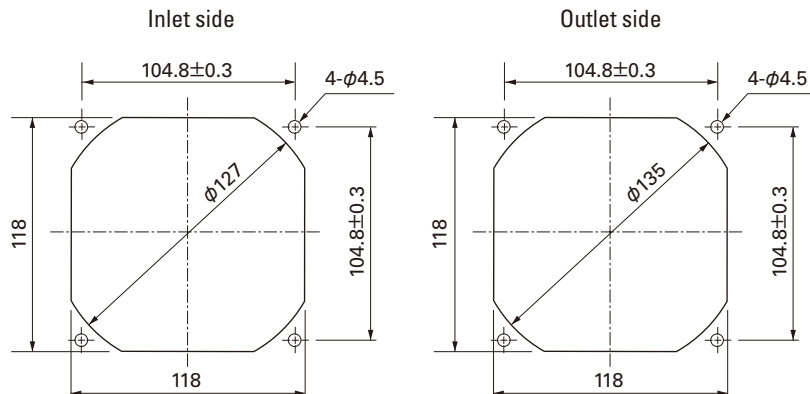


Model : 109-019E Surface treatment : Nickel-chrome plating (silver)
: 109-019K : Cation electropainting (black)

Inlet side, Outlet side



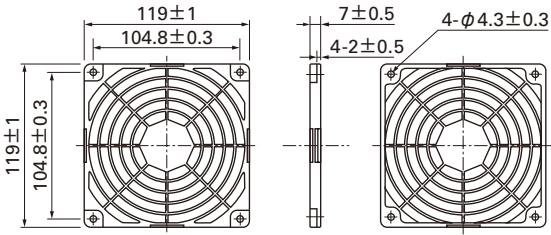
Reference dimension of mounting holes and vent opening (Unit : mm)



Options (Unit : mm)

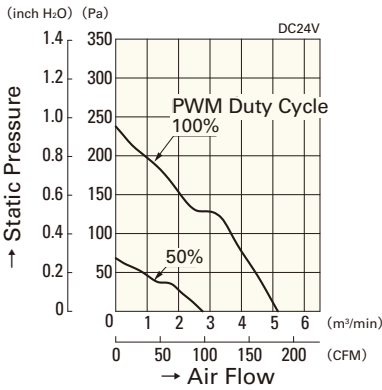
Resin Finger guards

Model : 109-1000G

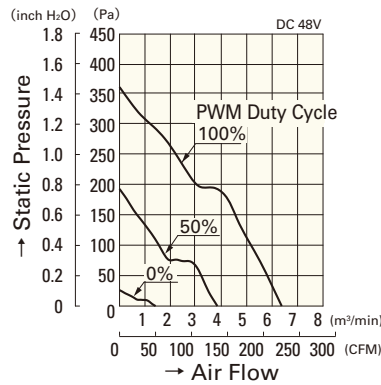


Air Flow - Static Pressure Characteristics

PWM Duty Cycle

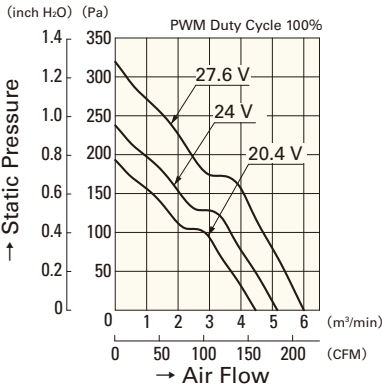


9WV1224P1H001

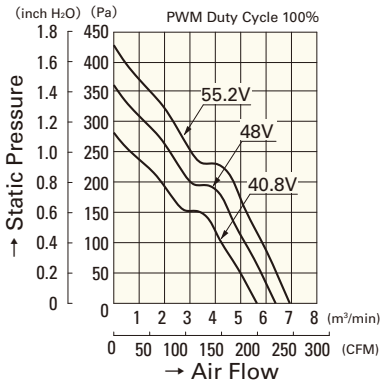


9WV1248P1J001

Operating Voltage Range

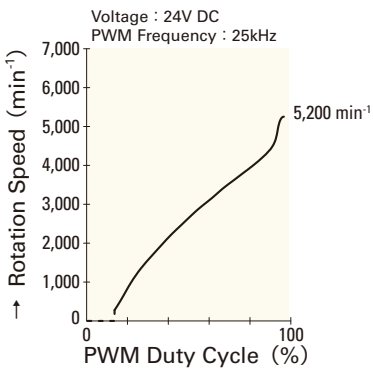


9WV1224P1H001

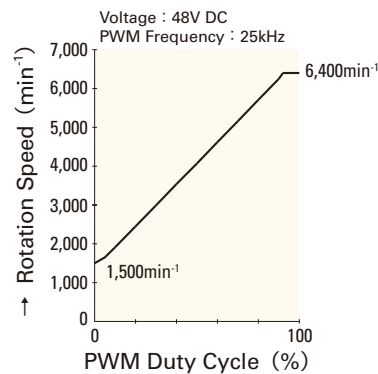


9WV1248P1J001

PWM Duty - Speed Characteristics Example



9WV1224P1H001



9WV1248P1J001

Mouser Electronics

Authorized Distributor

Click to View Pricing, Inventory, Delivery & Lifecycle Information:

Sanyo Denki:

[9WV1224P1H001](#) [9WV1248P1J001](#)