

Low Power Consumption Fan

**80** mm sq.

**San Ace 80**

20mm thick (GA type)  
32mm thick (GA type)  
38mm thick (GA type)



**General Specifications** With a pulse sensor Specifications for pulse sensors ⇔ Refer to Page 309

With PWM speed control function ⇔ Refer to Page 311

- Material ..... Frame: Plastics (Flammability: UL94V-0),  
Impeller: Plastics (Flammability: UL94V-0)
- Expected Life ..... Varies for each model (L10: Survival rate: 90% at 60°C ,  
rated voltage, and continuously run in a free air state)
- Lead Wire ..... ⊕red ⊖black (Sensor) yellow (Control) brown
- Storage Temperature ..... -30°C to +70°C (Non-condensing)

**80×80×32** mm (Mass : 130g) **GA type** **High air flow**

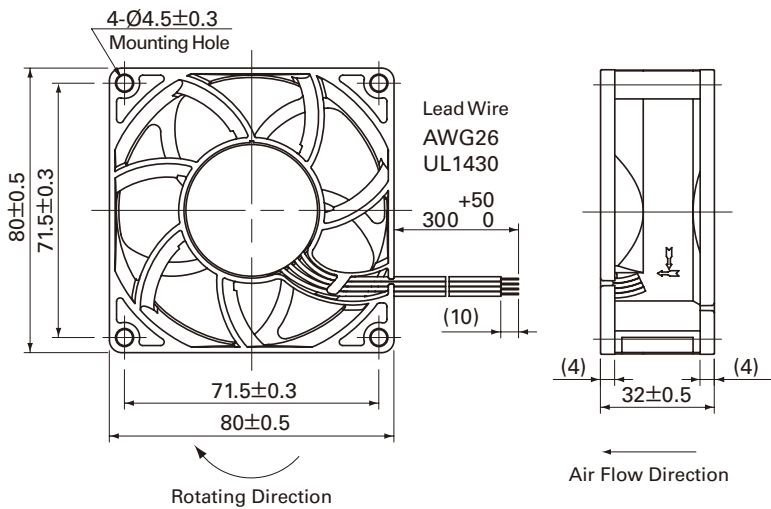
**Specifications** To order a ribless type, replace the last digits of a model number with digits in parenthesis.

Model No.	Rated Voltage [V]	Operating Voltage Range [V]	PWM duty cycle* [%]	Rated Current [A]	Rated Input [W]	Rated Speed [min <sup>-1</sup> ]	Max. Air Flow [m <sup>3</sup> /min] [CFM]	Max. Static Pressure [Pa] [inchH <sub>2</sub> O]	SPL [dB(A)]	Operating Temperature [°C]	Expected Life [h]
9GA0812P2S001(0011)	12	10.2 to 13.8	100	0.83	9.96	9,700	2.45 86.5	360 1.45	57	-10 to +70	40,000
			0	0.08	0.96	2,800	0.71 25.1	30 0.12	24		
100			0.59	7.08	8,700	2.20 77.7	294 1.18	54			
0			0.05	0.6	2,600	0.66 23.3	26 0.105	21			
9GA0812P2H001(0011)		10.2 to 12.6	100	0.35	4.2	6,700	1.69 59.6	171 0.68	47	-10 ~ +55	
			0	0.04	0.48	1,400	0.35 12.3	7.5 0.03	10		
9GA0812P2M001(0011)	24	20.4 to 27.6	100	0.42	10.1	9,700	2.45 86.5	360 1.45	57	-10 to +70	
			0	0.05	1.2	2,800	0.71 25.1	30 0.12	24		

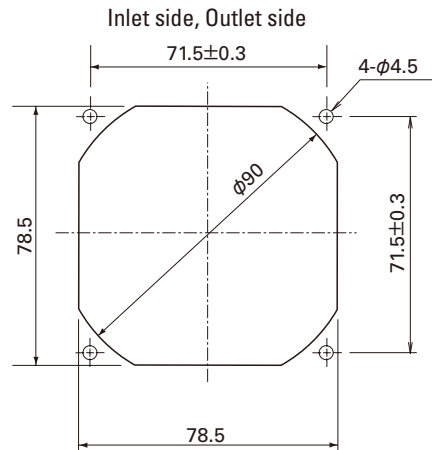
※PWM Frequency : 25kHz

Without Sensor Pulse Sensor PWM Control Available upon request for all the models above.

**Dimensions (Unit : mm)** (With ribs)



**Reference dimension of mounting holes and vent opening (Unit : mm)**

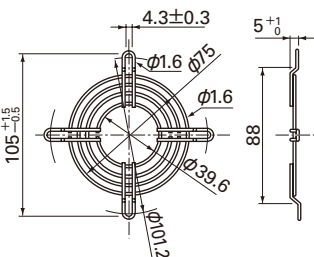


**Options (Unit : mm)**

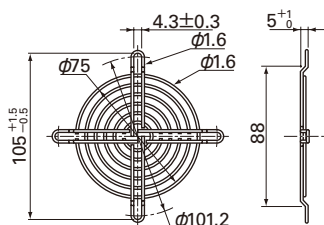
**Finger guards**

Model : 109-049C Surface treatment : Nickel-chrome plating (silver) Color : Silver  
Model : 109-049E Surface treatment : Nickel-chrome plating (silver) Color : Silver  
Model : 109-049H Surface treatment : Cation electropainting (black) Color : Black

Outlet side



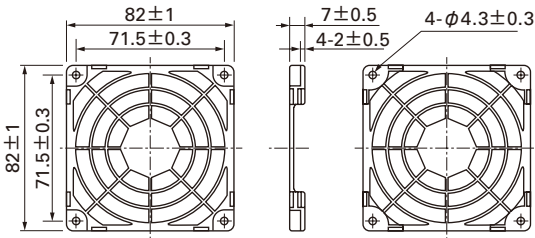
Inlet side, Outlet side



**Options (Unit : mm)**

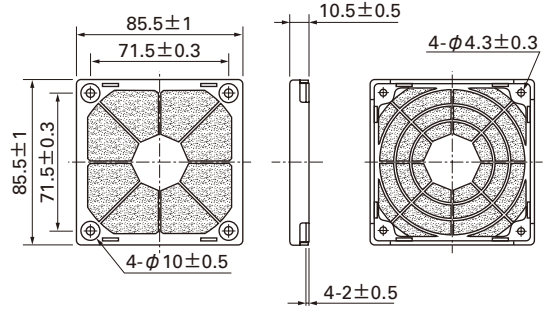
**Resin finger guards**

Model : 109-1002G



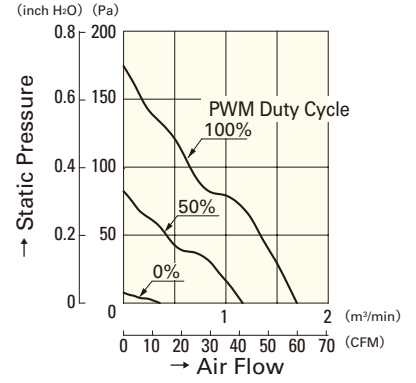
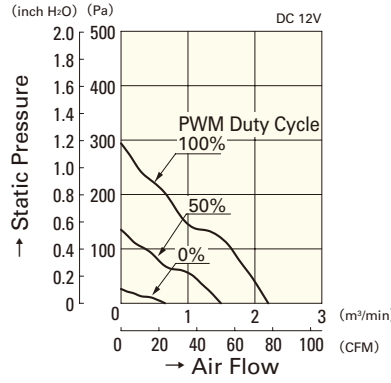
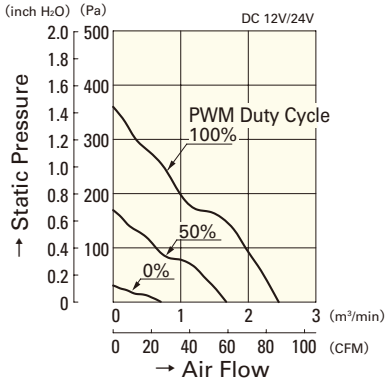
**Resin filter kits**

Model : 109-1002F13 (13PPI), 109-1002F20 (20PPI)  
: 109-1002F30 (30PPI), 109-1002F40 (40PPI)



**Air Flow - Static Pressure Characteristics**

**PWM Duty Cycle**



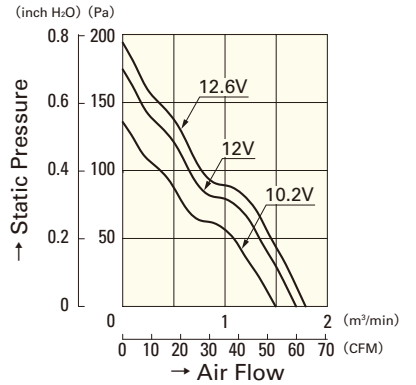
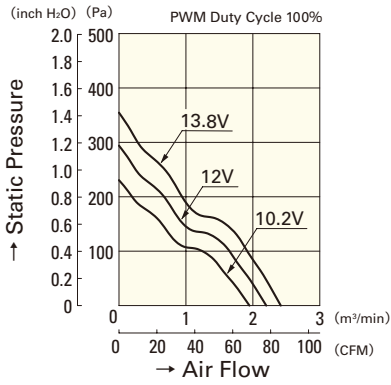
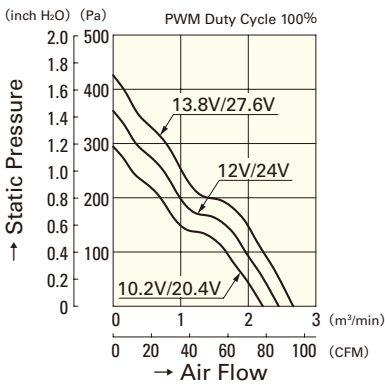
**9GA0812P2S001(0011)**

**9GA0824P2S001(0011)**

**9GA0812P2H001(0011)**

**9GA0812P2M001(0011)**

**Operating Voltage Range**



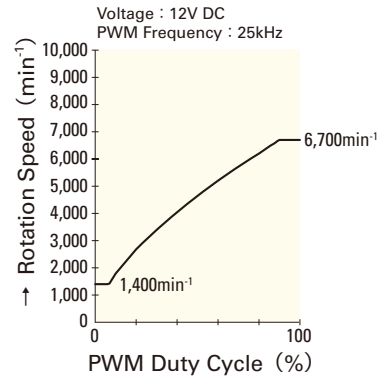
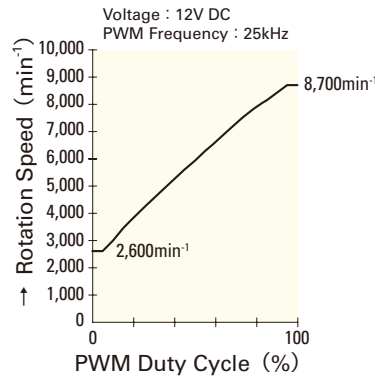
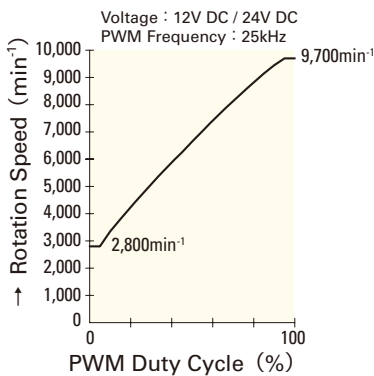
**9GA0812P2S001(0011)**

**9GA0824P2S001(0011)**

**9GA0812P2H001(0011)**

**9GA0812P2M001(0011)**

**PWM Duty - Speed Characteristics Example**



**9GA0812P2S001(0011)**

**9GA0824P2S001(0011)**

**9GA0812P2H001(0011)**

**9GA0812P2M001(0011)**