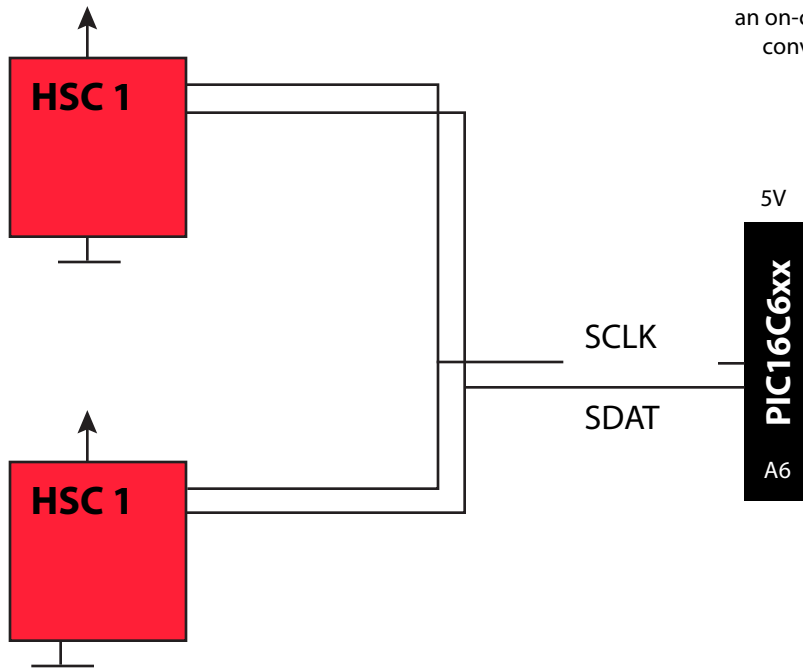


Analog Output

Source: Ian Bentley

A4 and A6 can be replaced with a PICmicro that has an on-chip A/D converter



Digital Output

Source: Ian Bentley