

NEW! ECK-THC Series Ceramic Capacitors

Molded Surface Mount Ceramic Y1 Capacitors

Safety Requirement Approved

Panasonic, a worldwide leader in Capacitor Products, now offers the **NEW ECK-THC Series** Surface Mount Ceramic Sub-Class Y1-Rated Capacitors for power supply applications. This Series is for line-to-ground use and has a voltage rating of 250 VAC. The **NEW ECK-THC Series** offers capacitance values of 100, 220, and 470pF and capacitance tolerances of +/-10 or +/-20%. Flexible style terminations afford a greater measure of safety. **ECK-THC Series** Surface Mount Y1-Rated capacitors are a unique industry offering. Earlier solutions were a Radial Leaded (Through-Hole) Capacitor or two (2) Y2 Surface Mount Capacitors in series.

Features:

- Y1 (Line-To-Ground) Rating
- Resin Molded SMD Type for Flow/Reflow Soldering (HC)
- High Reliability
- Safety Requirement Recognition: UL, SEMKO, NEMKO, FIMKO, DEMKO
- RoHS Directive Compliant

Industries:

- Communications
- Industrial
- Instrumentation
- Computer Peripherals
- Medical
- Lighting

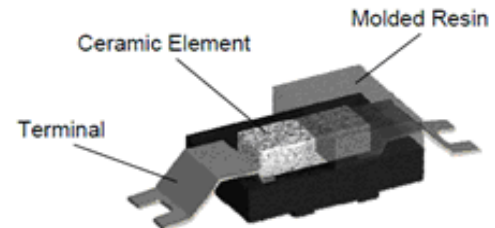
Applications:

- AC/DC Power Supply
- Interference Suppressor Circuits and Isolation Circuit of IT Equipment such as MODEM
- Interference Suppressor Circuits of Small Power Supply Machinery, such as DC-DC Converters and Power Modules
- Interference Suppressor Circuits on AC Primary Side for General Electronic Equipment

Benefits:

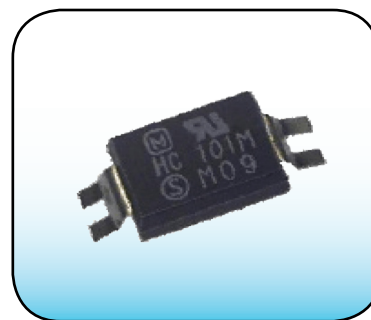
- Safety Agency Recognition for Ease of Equipment Approval.
- Meets Peak Impulse of 8kV (Y1)

Product Construction:



(For more detailed specification information, see reverse side)

Additional Information:



For detailed specification information the ECK-THC Series Ceramic Capacitor New Product Introduction, please visit panasonic.com/industrial/components/pdf/ECK-THC_Datasheet.pdf today!

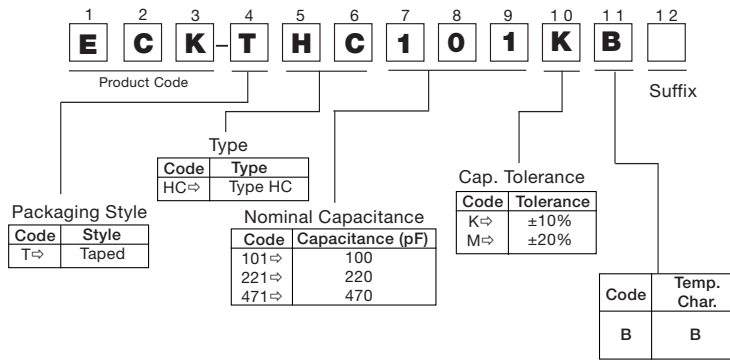
Website: panasonic.com/industrial/electronic-components/capacitive-products/index.aspx

NEW! ECK-THC Series Ceramic Capacitors

Molded Surface Mount Ceramic Y1 Capacitors

Safety Requirement Approved

Part Number Information:



Specifications:

Characteristics	Temp/ Char. B/Y5P		
Operating Temperature Range	-25 to 125°C		
Rated Voltage	250 VAC		
Dielectric Withstanding Voltage	4000 VAC for 1 Minute		
Capacitance	Within the specified tolerance, when measured at 1kHz±20%, 1 to 5 Vrms and 20°C		
Q or Dissipation Factor (tan δ)	tan δ < 0.025 at 1kHz±20%, 1 to 5 Vrms and 20°C		
Insulation Resistance	10000 M Ω min at 500 VDC and 1 minute electrification		
Temperature Characteristics	Char.	Max. Cap. Change	Temp. Range
	B/Y5P	±10%	-25 ~ 85°C

Ratings and Characteristics:

Type Name	Part Number	Capacitance (pF)	Cap. Tolerance	Temp. Char.	Dimensions in mm
Type HC	ECK-THC101KB	100	±10%	B/Y5P	6.8L x 4.5W x 2.5H
	ECK-THC221KB	200			
	ECK-THC471KB	470			
	ECK-THC101MB	100	±20%		
	ECK-THC221MB	220			
	ECK-THC471MB	470			

Panasonic ideas for life