

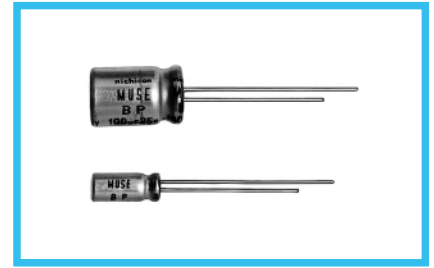
ALUMINUM ELECTROLYTIC CAPACITORS



Bi-Polarized, For Audio Equipment



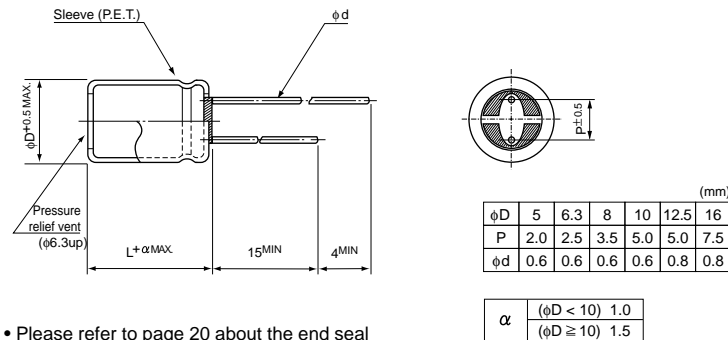
- Bi-polarized “nichicon MUSE” acoustic series.
- Suited for audio signal circuits.
- Compliant to the RoHS directive (2002/95/EC).



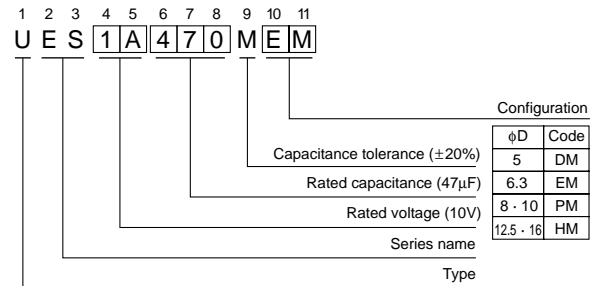
Specifications

Item	Performance Characteristics												
Category Temperature Range	-40 to +85°C												
Rated Voltage Range	6.3 to 50V												
Rated Capacitance Range	0.47 to 1000μF												
Capacitance Tolerance	±20% at 120Hz, 20°C												
Leakage Current	After 1 minute's application of rated voltage, leakage current is not more than 0.03CV or 3 (μA), whichever is greater.												
Tangent of loss angle (tan δ)	Measurement frequency : 120Hz at 20°C												
	Rated voltage (V)	6.3	10	16	25	35	50						
	tan δ (MAX.)	0.24	0.20	0.16	0.16	0.14	0.12						
Stability at Low Temperature	Measurement frequency : 120Hz												
	Rated voltage (V)		6.3	10	16	25	35	50					
	Impedance ratio	Z-25°C / Z+20°C	4	3	2	2	2	2					
	ZT / Z20 (MAX.)	Z-40°C / Z+20°C	8	6	4	4	4	4					
Endurance	The specifications listed at right shall be met when the capacitors are restored to 20°C after the rated voltage is applied for 1000 hours at 85°C with the polarity inverted every 250 hours.		<table border="1"> <tr> <td>Capacitance change</td> <td>Within ±20% of the initial capacitance value</td> </tr> <tr> <td>tan δ</td> <td>150% or less than the initial specified value</td> </tr> <tr> <td>Leakage current</td> <td>Less than or equal to the initial specified value</td> </tr> </table>					Capacitance change	Within ±20% of the initial capacitance value	tan δ	150% or less than the initial specified value	Leakage current	Less than or equal to the initial specified value
Capacitance change	Within ±20% of the initial capacitance value												
tan δ	150% or less than the initial specified value												
Leakage current	Less than or equal to the initial specified value												
Shelf Life	After storing the capacitors under no load at 85°C for 1000 hours and then performing voltage treatment based on JIS C 5101-4 clause 4.1 at 20°C, they shall meet the specified values for the endurance characteristics listed above.												
Marking	Printed with black color letter on clear green sleeve.												

Radial Lead Type



Type numbering system (Example : 10V 47μF)



• Please refer to page 20 about the end seal configuration.

Dimensions

Cap.(μF)	Code	φD × L (mm)						
		V	6.3	10	16	25	35	50
			0J	1A	1C	1E	1V	1H
0.47	R47							5 × 11
1	010							5 × 11
2.2	2R2							5 × 11
3.3	3R3							5 × 11
4.7	4R7							5 × 11
10	100				5 × 11	5 × 11	5 × 11	6.3 × 11
22	220			5 × 11	6.3 × 11	6.3 × 11	6.3 × 11	8 × 11.5
33	330		5 × 11	6.3 × 11	6.3 × 11	8 × 11.5	8 × 11.5	10 × 12.5
47	470		6.3 × 11	6.3 × 11	8 × 11.5	10 × 12.5	10 × 12.5	10 × 20
100	101		8 × 11.5	10 × 12.5	10 × 12.5	10 × 16	10 × 20	12.5 × 25
220	221		10 × 12.5	10 × 16	10 × 20	12.5 × 25	12.5 × 25	16 × 25
330	331		10 × 16	10 × 20	12.5 × 20	12.5 × 25	16 × 25	16 × 31.5
470	471		10 × 20	12.5 × 20	12.5 × 25	16 × 25	16 × 25	
1000	102		12.5 × 25	16 × 25	16 × 25	16 × 31.5		

Please refer to page 20, 21, 22 about the formed or taped product spec.
Please refer to page 4 for the minimum order quantity.

Mouser Electronics

Authorized Distributor

Click to View Pricing, Inventory, Delivery & Lifecycle Information:

Nichicon:

[UES1A331MPJ](#) [UES1C100MDJ](#) [UES1C471MHJ](#) [UES0J101MPJ](#) [UES1C102MHJ](#) [UES1V100MEJ](#) [UES1E220MEJ](#)
[UES1H101MHJ](#) [UES0J101MPM](#) [UES0J102MHM](#) [UES0J221MPM](#) [UES0J330MDM](#) [UES0J331MPM](#)
[UES0J470MEM](#) [UES0J471MPM](#) [UES1A101MPM](#) [UES1A102MHM](#) [UES1A220MDM](#) [UES1A221MPM](#)
[UES1A330MEM](#) [UES1A331MPM](#) [UES1A470MEM](#) [UES1A471MHM](#) [UES1C100MDM](#) [UES1C101MPM](#)
[UES1C102MHM](#) [UES1C220MEM](#) [UES1C221MPM](#) [UES1C330MEM](#) [UES1C331MHM](#) [UES1C470MPM](#)
[UES1C471MHM](#) [UES1E100MDM](#) [UES1E101MPM](#) [UES1E102MHM](#) [UES1E221MHM](#) [UES1E330MPM](#)
[UES1E331MHM](#) [UES1E470MPM](#) [UES1E471MHM](#) [UES1E4R7MDM](#) [UES1H010MDM](#) [UES1H100MPM](#)
[UES1H220MPM](#) [UES1H221MHM](#) [UES1H2R2MDM](#) [UES1H330MPM](#) [UES1H331MHM](#) [UES1H3R3MDM](#)
[UES1H470MPM](#) [UES1H4R7MEM](#) [UES1HR47MDM](#) [UES1V101MPM](#) [UES1V220MPM](#) [UES1V221MHM](#)
[UES1V330MPM](#) [UES1V331MHM](#) [UES1V470MPM](#) [UES1V471MHM](#) [UES1V4R7MDM](#) [UES1V470MPH](#)
[UES1H101MHM](#) [UES1E220MEM](#) [UES1V100MEM](#) [UES0J471MHM](#)