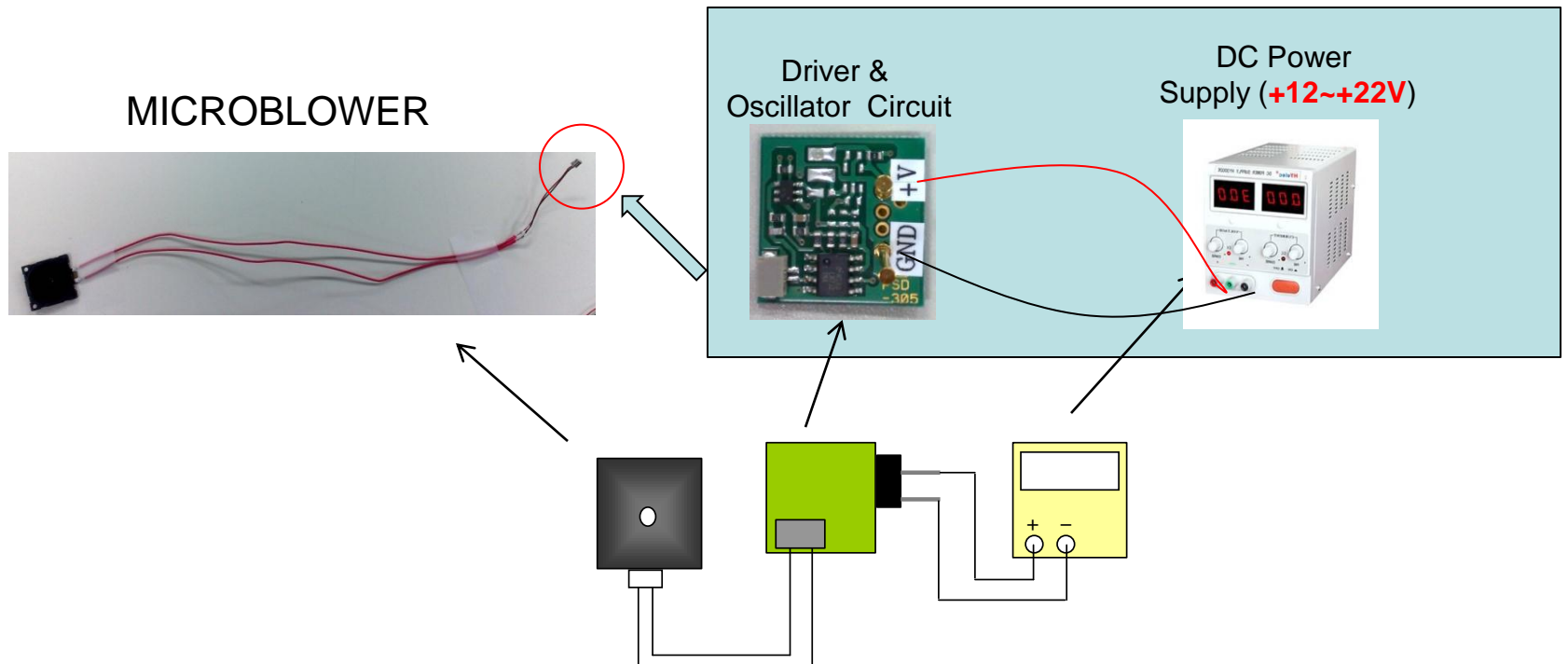
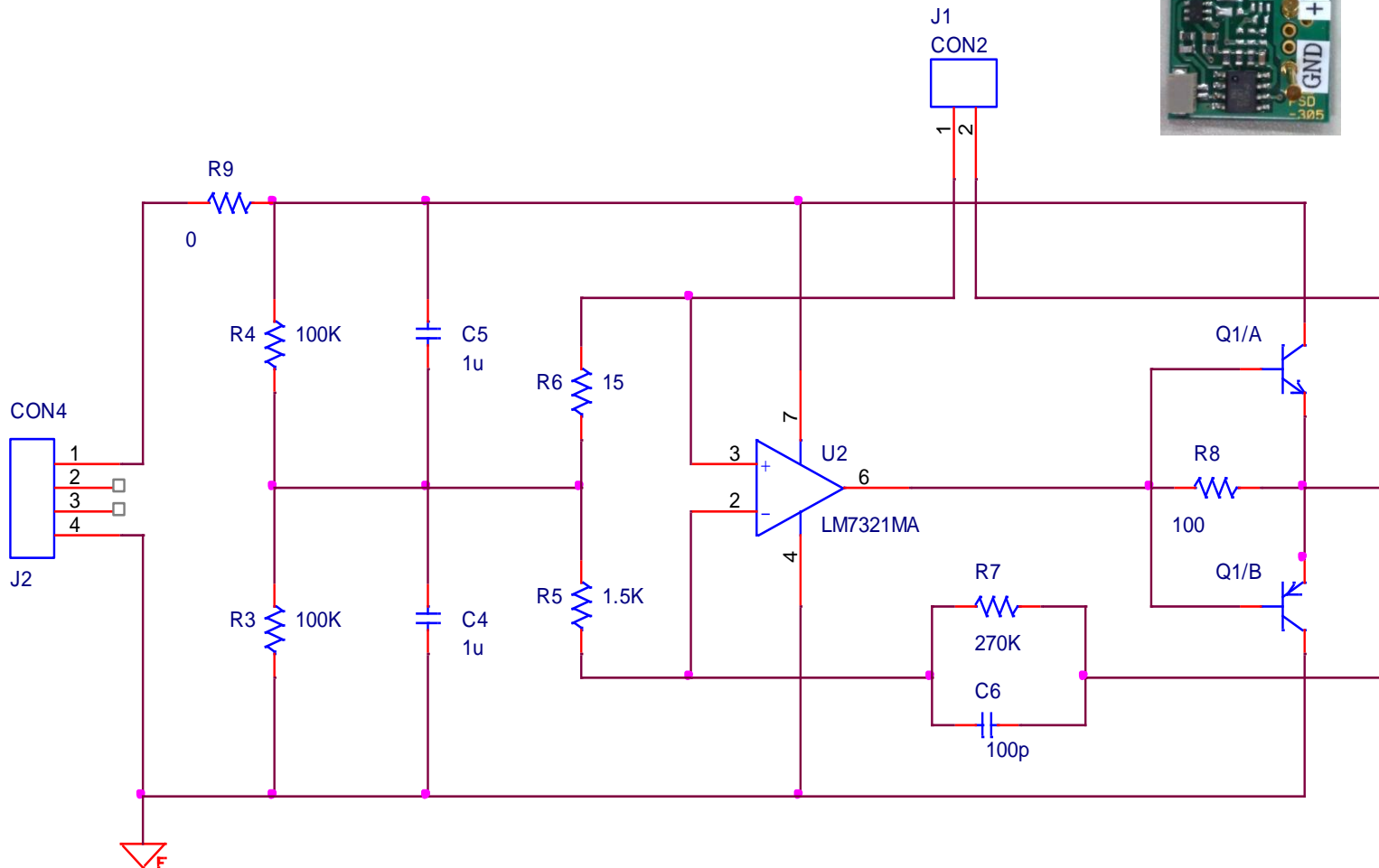


MICROBLOWER Driver Information

MICROBLOWER Sample (How to connect)



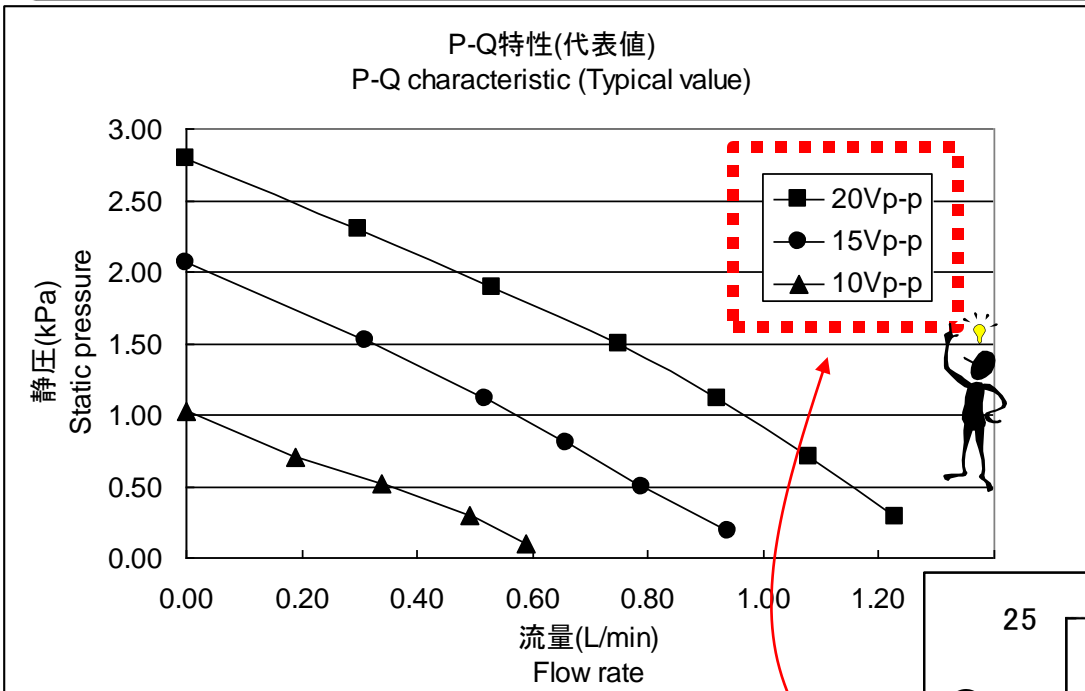
Driver Circuit



Driver Part List – Voltage change

U2	Op Amp	LM7321 MA	National Semiconductor	GBW=20MHz RailtoRail IN/OUT
Q1	Transister(PNP/NPN)	HN1 B04F	Toshiba Semiconductor	Ic=500mA
R3,R4	Chip Resistor 100k Ω	RK73B1 JTTD1 04J	KOA	0.1W
R5	Chip Resistor 1.5k Ω	RK73B1 JTTD1 52J	KOA	0.1W
R6	Chip Resistor 15 Ω	RK73B1 JTTD1 50J	KOA	0.1W
R7	Chip Resistor 270K Ω	RK73B1 JTTD274J	KOA	0.1W
R8	Chip Resistor 100 Ω	RK73B1 JTTD1 01 J	KOA	0.1W
R9	Short Chip	RK73Z1 JTTD	KOA	
C4,C5	Chip Capacitor 1 μ F	GRM1 88R71 E1 05KA1 2D	MURATA	25V X7R
C6	Chip Capacitor 100p	GRM1 882C1 H1 01 JA01 D	MURATA	50Vdc CH
J1	Connector	SM02B-SSR-H-TB	JST	
J2	USB Connector	317A	Chant Sincere	

How to apply voltage



Driver & Oscillator Circuit



DC Power Supply (12~22V)

