

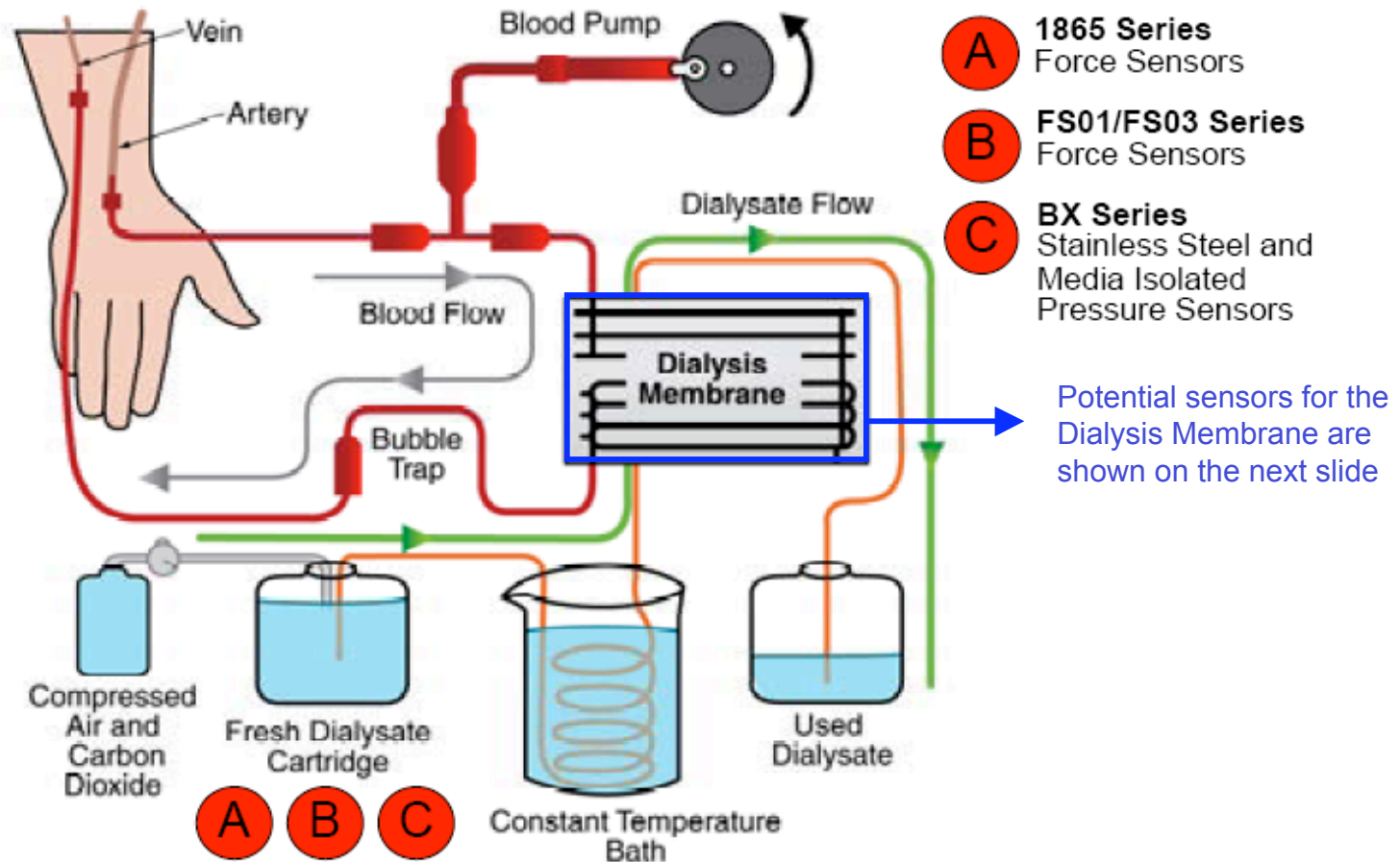


Potential Sensor and Switch Solutions for Dialysis and Respiratory Applications

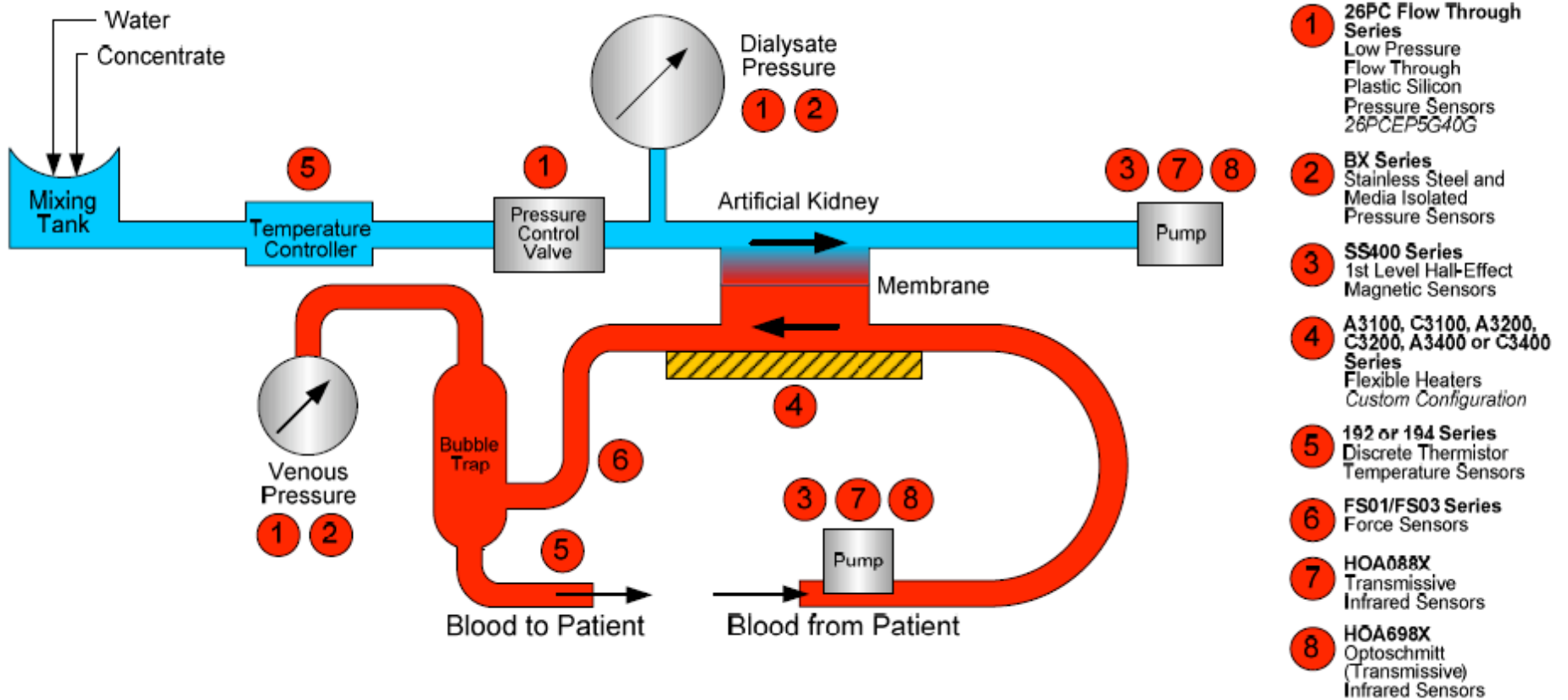
February 2009

Honeywell

Potential Sensors for Dialysis: Overview



Potential Sensors for Dialysis Membrane



Note: Value propositions have been provided for flexible heaters, force sensors, Hall-effect magnetic position sensors and pressure sensors.



Potential Sensor and Switch Solutions for Respiratory – Anesthesia, Oxygen Concentrators, Ventilators

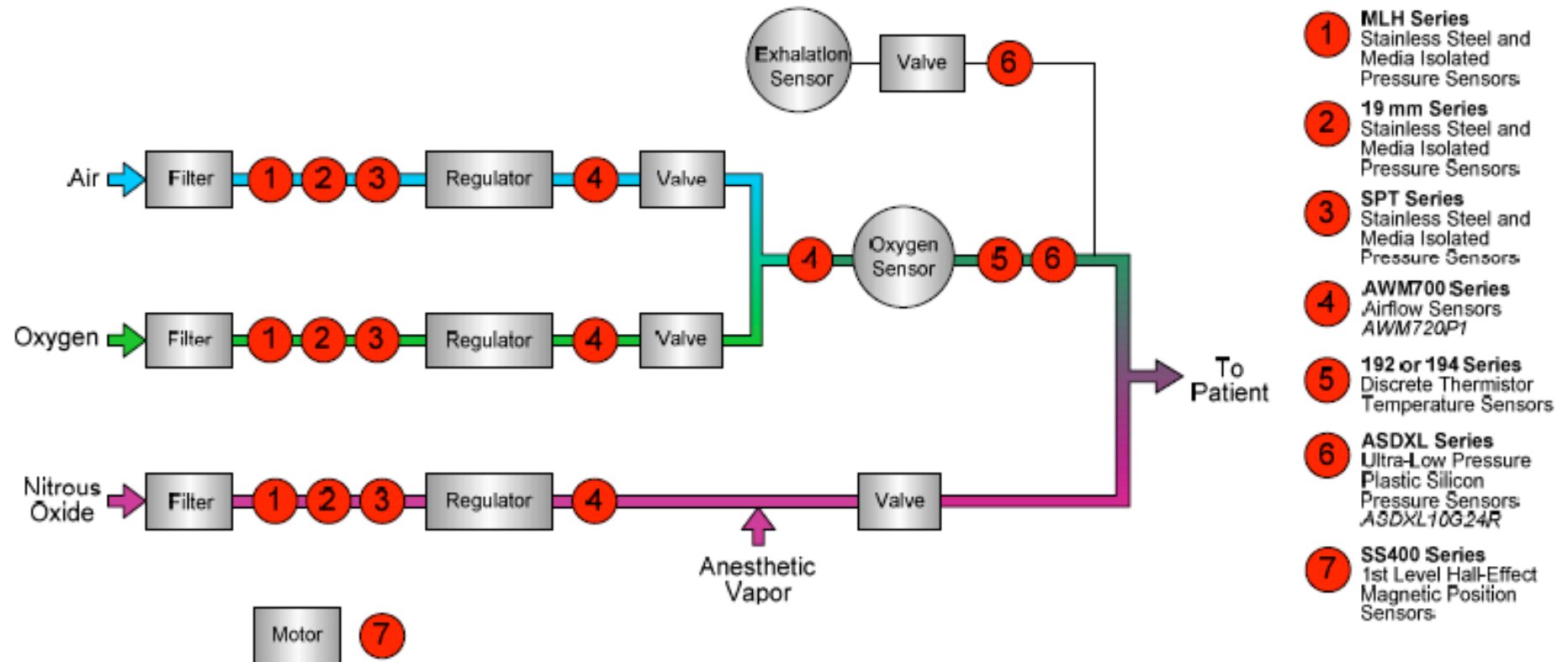
Honeywell



Potential Sensor Solutions for Respiratory – Anesthesia Machines

Honeywell

Potential Sensors for Anesthesia



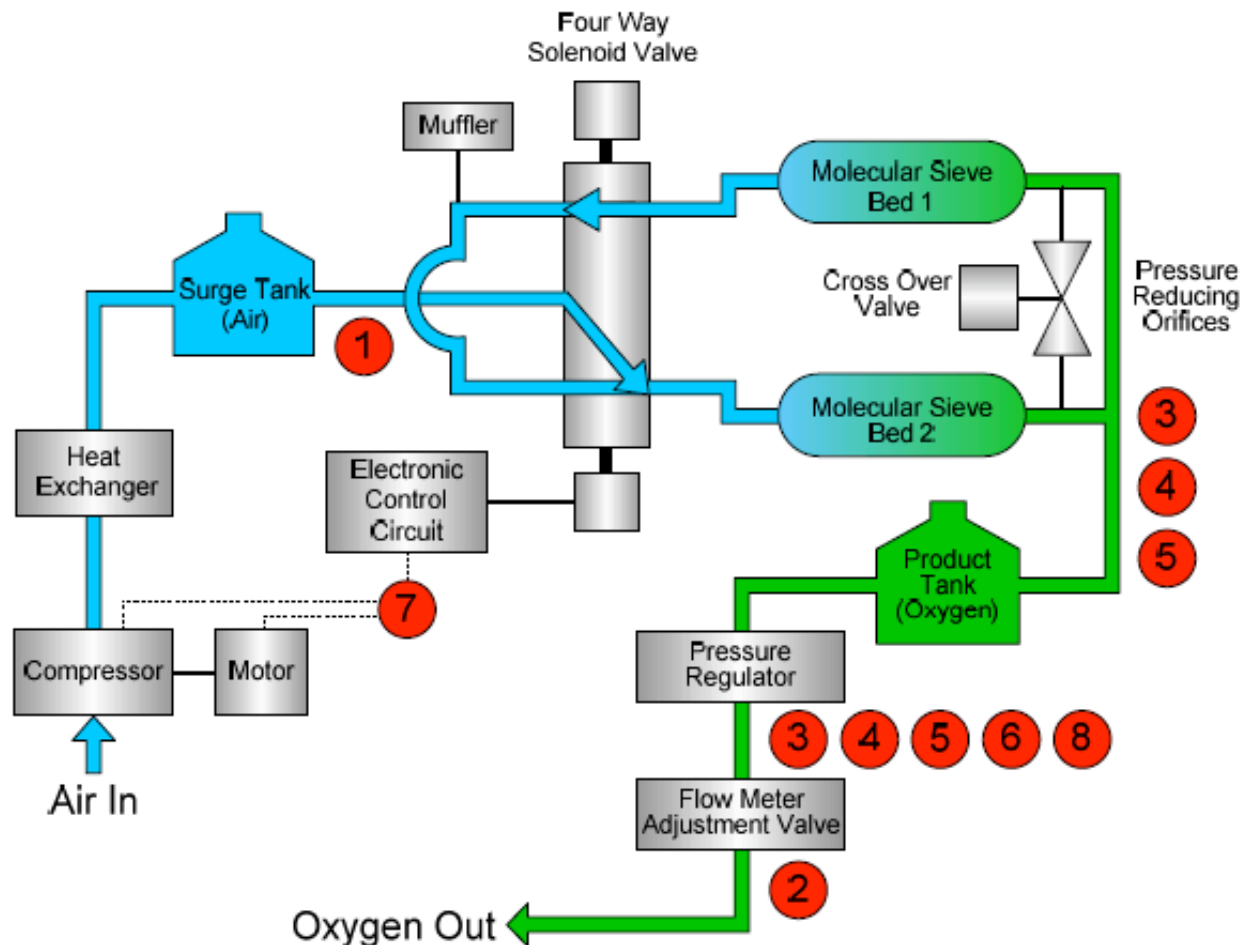
Note: Value propositions have been provided airflow sensors, Hall-effect magnetic sensors and pressure sensors.



Potential Sensor and Switch Solutions for Respiratory – Oxygen Concentrators

Honeywell

Potential Sensors & Switches for Oxygen Concentrators



- 1 **MLH Series**
Stainless Steel and Media Isolated Pressure Sensors
- 2 **CPCL Series**
Ultra-Low Pressure Plastic Silicon Pressure Sensors
CPCL04
- 3 **CPC Series**
Low Pressure Plastic Silicon Pressure Sensors
- 4 **DUXL Series**
Ultra-Low Pressure Plastic Silicon Pressure Sensors
DUXL01D
- 5 **SDX Series**
Low Pressure Plastic Silicon Pressure Sensors
SDX005IND4
- 6 **AWM90000 Series**
Airflow Sensors
AWM92100V
- 7 **20000 Series**
AC Hour Meters
- 8 **5000 Series**
Pressure Switches

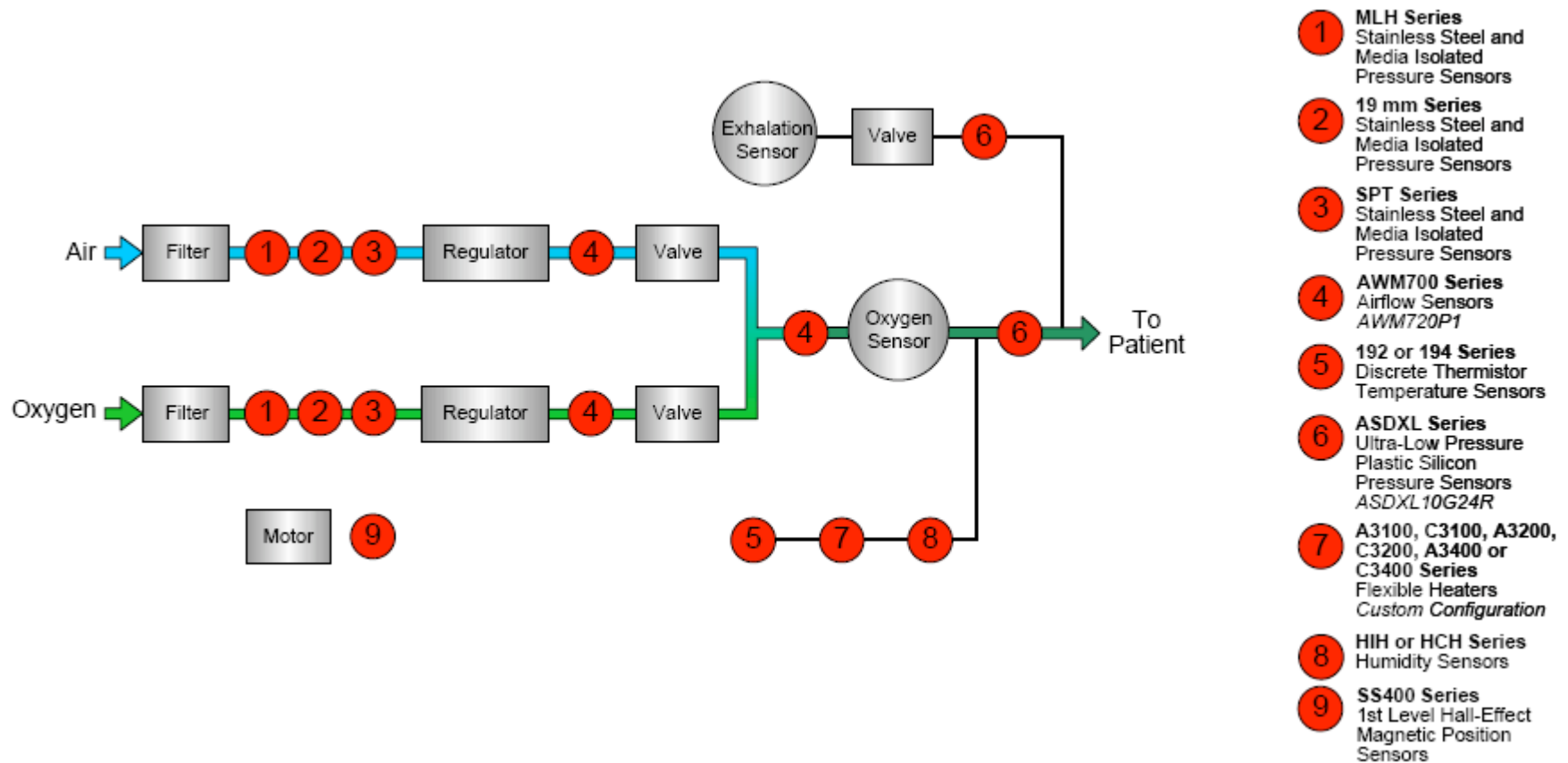
Note: Value propositions have been provided for airflow sensors, hour meters, pressure sensors and pressure switches.



Potential Sensor Solutions for Respiratory – Ventilators

Honeywell

Potential Sensor Solutions for Ventilators



Note: Value propositions have been provided for airflow sensors, flexible heaters, humidity sensors, Hall-effect magnetic sensors and pressure sensors.