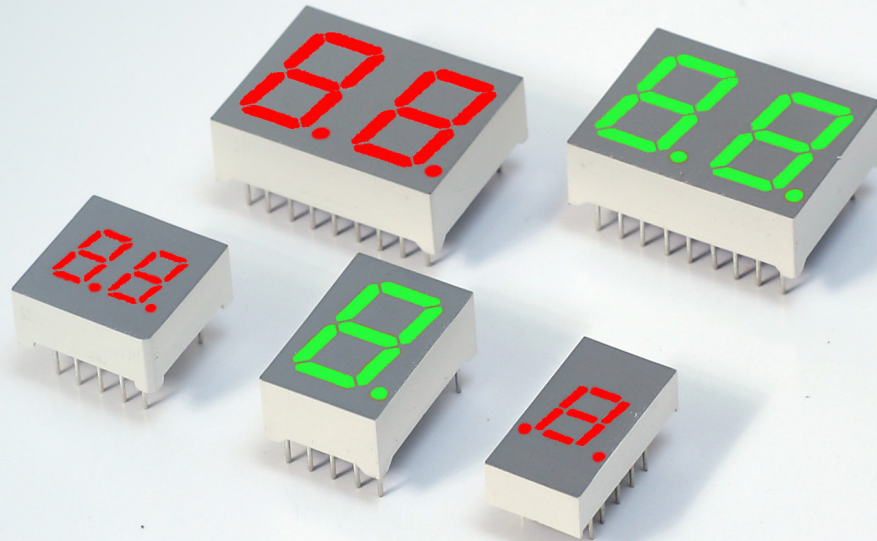


QuasarBrite™ High Temp LED Displays



High Temp LED Displays Provide Market-Leading Temperature Range and Cost Savings

Lumex's new High Temp LED 7-Segment Displays provide outstanding color and brightness performance at up to 105°C, which is unique in today's marketplace. Standard size 1 and 2 digit QuasarBrite High Temp 7-Segment LED Displays are available in stock from Lumex's strategic distribution partners immediately (includes .30" and .56", red and green displays).

Features:

- Bright, crisp display performance in market-leading temp ranges up to 105°C
- Available in sizes from 0.28 to 4 inch character height
- Compatible with standard drivers
- Available in any standard color

Applications:

- Aircraft, ground vehicles and GPS
- Heavy motor control technologies
- Oil field and gas flow metering
- Displays on ovens, microwaves, etc.

Markets:

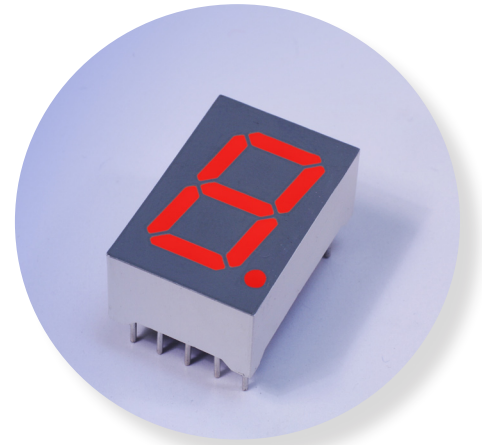
- Industrial Controls
- Military
- Appliances



LUMEX®
Creating LED and LCD Solutions Together™

QuasarBrite™

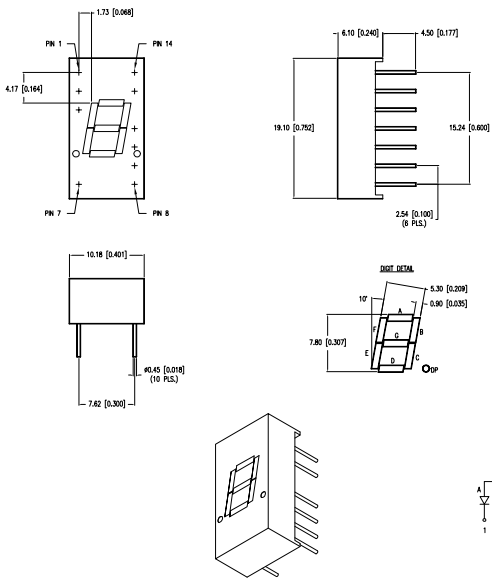
High Temp LED Displays - Single Digit



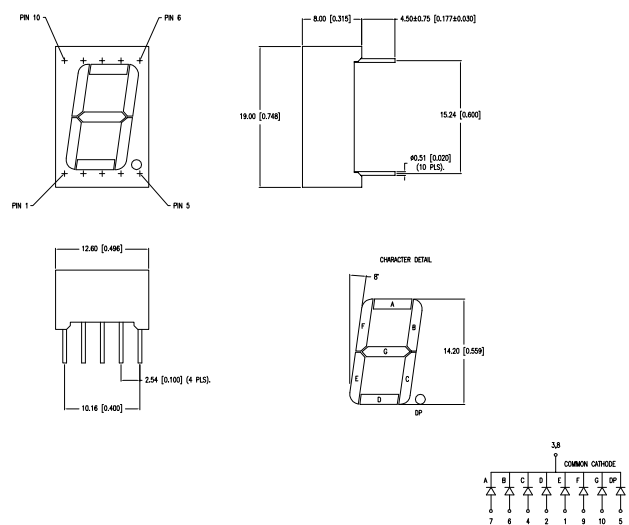
Single Digit - High Temp LED Displays

PN	Wavelength	Intensity mcd @ 10mA	Character Height	Color	Common Column Pin	Face	Segment
LDS-HTA302RI	565	2500	.30"	Green	Anode	Gray	Milky White
LDS-HTA304RI	635	2000	.30"	Red	Anode	Gray	Milky White
LDS-HTA512RI	565	3900	.56"	Green	Anode	Gray	Milky White
LDS-HTA514RI	635	3900	.56"	Red	Anode	Gray	Milky White
LDS-HTC302RI	565	3500	.30"	Green	Cathode	Gray	Milky White
LDS-HTC304RI	635	3500	.30"	Red	Cathode	Gray	Milky White
LDS-HTC512RI	565	3500	.56"	Green	Cathode	Gray	Milky White
LDS-HTC514RI	625	3900	.56"	Red	Cathode	Gray	Milky White

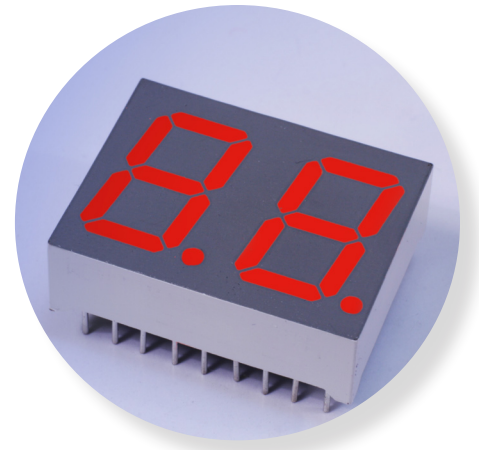
Single Digit: .30" Character Height



Single Digit: .56" Character Height



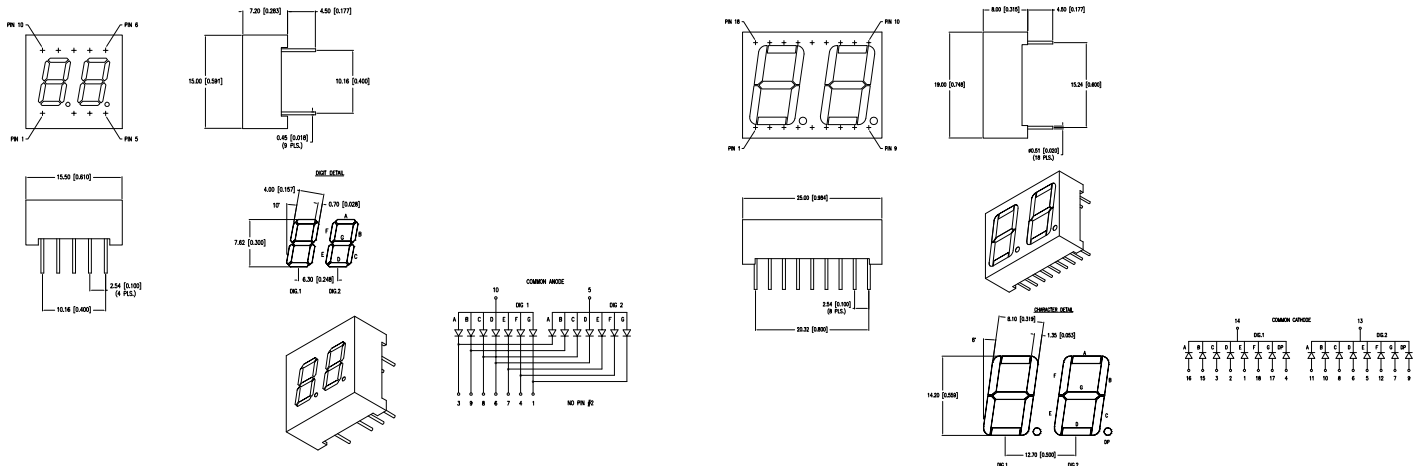
QuasarBrite™ High Temp LED Displays - Dual Digit



Dual Digit - High Temp LED Displays	PN	Wavelength	Intensity mcd @ 10mA	Character Height	Color	Common Column Pin	Face	Segment
	LDD-HTE302NI	565	2500	.30"	Green	Anode	Gray	Milky White
	LDD-HTE304NI	635	2000	.30"	Red	Anode	Gray	Milky White
	LDD-HTF302NI	565	3900	.30"	Green	Anode	Gray	Milky White
	LDD-HTF304NI	635	3900	.30"	Red	Anode	Gray	Milky White
	LDD-HTA512RI	565	3500	.56"	Green	Cathode	Gray	Milky White
	LDD-HTA514RI	635	3500	.56"	Red	Cathode	Gray	Milky White
	LDD-HTC512RI	565	3500	.56"	Green	Cathode	Gray	Milky White
	LDD-HTC514RI	625	3900	.56"	Red	Cathode	Gray	Milky White

Dual Digit: .30" Character Height

Dual Digit: .56" Character Height



Contact **MOUSER ELECTRONICS** today at
800.346.6873 or sales@mouser.com
 to learn more about this exciting new technology.

