

## Low Cost Plastic Backshell for D-Subminiature Connectors

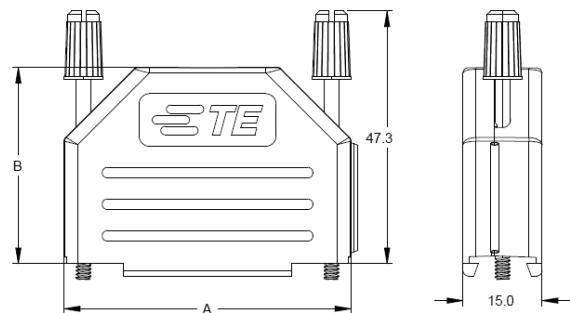
A new range of plastic backshells for D-Subminiature connectors, providing an ideal solution for unshielded applications. Supplied complete with jackscrews, these compact lightweight shells feature a hinged design for ease and speed of assembly. Suitable for a wide range of cable sizes, backshells are available to suit 9 to 37 way standard density D-Subminiature connectors.



- Low cost
- Compact attractive design
- Complete with jackscrews
- 3.0 to 11.0 mm cable sizes
- Quick and easy to assemble

### Specification

Material	Black polyamide
Flammability	UL 94V-2
Jackscrews	4-40 UNC threaded
Cable diameter range	3.0 - 11.0 mm
Temperature rating	-55 to +105C



### Ordering Information

Shell Size	No of Ways	Part No	Dim A	Dim B
1	9	1991253-9	32.4	31.3
2	15	1-1991253-5	40.7	30.8
3	25	2-1991253-5	54.4	37.3
4	37	3-1991253-7	70.9	36.0

TE logo and TE Connectivity are trademarks

All dimensions in mm