



Ordering number C12446_SOPHIE

Family	Sophie	FWHM	Asym degrees
Type	Lens	Efficiency	90 %
LED	Oslon Square PC	cd/lm	-
Color	Clear	Gerber File	Available
Diameter	150 mm		
Height	10.43 mm		
Style	Rectangular		
Optic Material	PMMA		
Holder Material	-		
Fastening	Glue		
Status	Ready		

NOTE: The typical divergence will be changed by different color, chip size and chip position tolerance. The typical total divergence is the full angle measured where the luminous intensity is half of the peak value.



PRODUCT DATASHEET Sophie series

last update 30/3/2012



GENERAL INFORMATION

- Product series especially designed & optimized for Oslon Square PC series of LEDs.
- Special care taken to make light distribution as uniform as possible.
- Lens material optical grade PMMA with high UV and temperature resistance (105 degrees of Celcius / 220 degrees of Fahrenheit). Allows use of high current and temperature conditions.

Please find more information about used material from below:

http://ledil.fi/sites/default/files/Documents/Technical/Material/PMMA%20N%20UL94_Yellow%20Card.pdf

<http://ledil.fi/sites/default/files/Documents/Technical/Material/PMMA%20N%20PLEXIGLAS-Datasheet.pdf>

- Fastening to PCB with appropriate adhesive. By clicking link below you can find Ledil recommended glue options.

http://www.ledil.com/datasheets/DataSheet_GLUES.pdf

NOTE 1: We advise customer to ensure the suitability and sufficiency of the bond in the end product. For example, mechanical stress, vibration and holes on the surface of the circuit board weaken the strength of the glue.

NOTE 2: All surfaces where glue is applied must be clean, dry and free from grease and dirt. If cleaning of PCB surfaces is needed, please follow strictly the cleaning instructions of your LED manufacturer -this is important as cleaning shall under no circumstances damage LEDs or other electronics components on the PCB.

Further note that optical components shall not be cleaned with any chemicals - only micro fiber cloth may be used to remove fingerprints or other traces from handling.

D

C

B

A

4

4

3

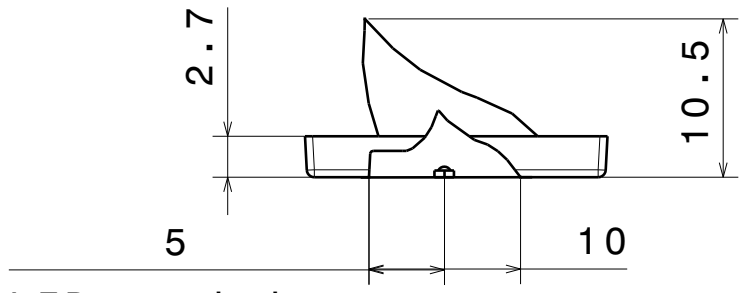
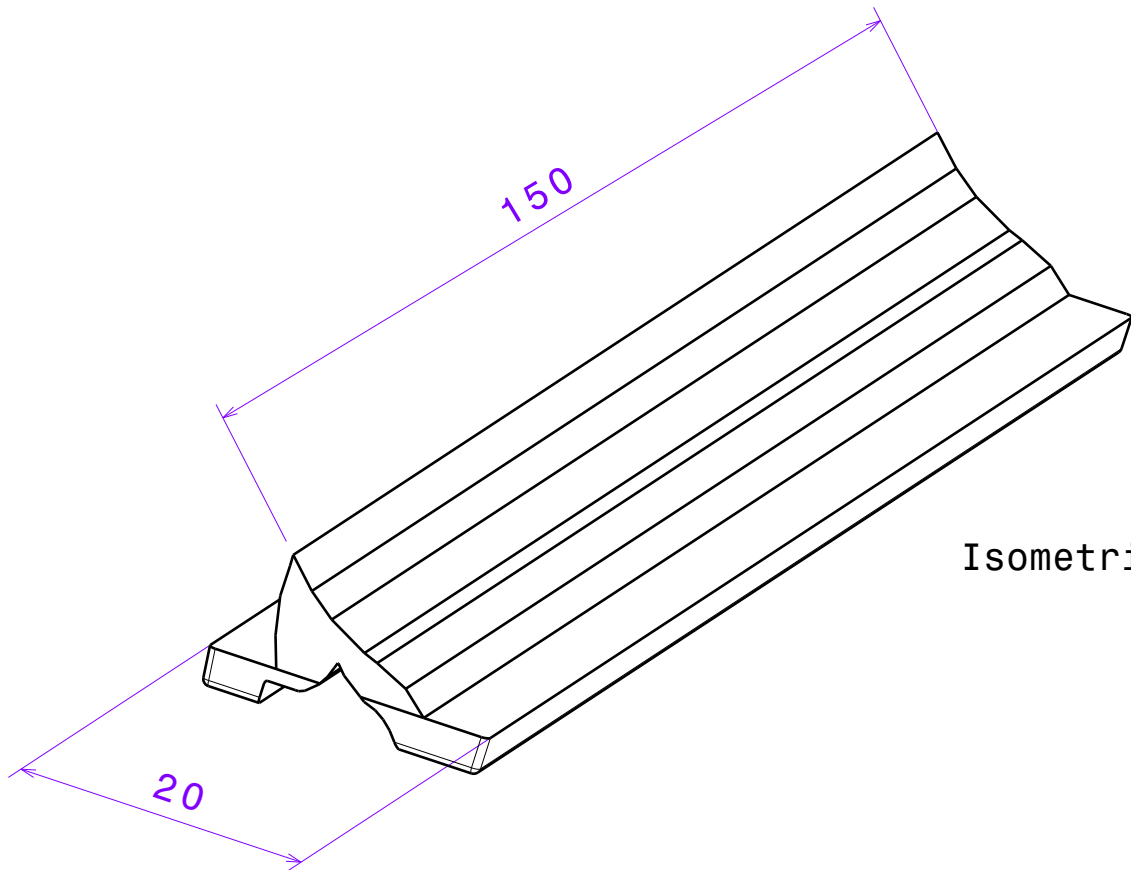
3

2

2

1

1



LED position

Front view

MATERIAL: PMMA clear

This drawing is our property.
It can't be reproduced
or communicated without
our written agreement.



L
S
F
F

e
l
i
n

d
l

DRAWING TITLE

Datasheet Sophie

DRAWN BY
ah

DATE
9.12.2011

CHECKED BY
-

DATE
-

SIZE
A4

DRAWING NUMBER
C12446

REV
3

DESIGNED BY
pl

DATE
25.10.2011

SCALE 2:1

WEIGHT (g)

SHEET

1/1

D

A