



**Ordering number** C12361\_HB-2X2

Family	High Bay	FWHM	43 degrees
Type	Lens	Efficiency	89 %
LED	Oslon SSL 80	cd/lm	1.260
Color	Clear	Gerber File	Available
Diameter	50x50 mm		
Height	8.5 mm		
Style	Square		
Optic Material	PMMA		
Holder Material	-		
Fastening	Screw, pin, glue		
Status	Ready		

**NOTE: The typical divergence will be changed by different color, chip size and chip position tolerance. The typical total divergence is the full angle measured where the luminous intensity is half of the peak value.**



## PRODUCT DATASHEET High Bay series

last update 10/8/2012



### GENERAL INFORMATION

- Product series especially designed & optimized for Oslon SSL 80 series of LEDs.
- Special care taken to make light distribution as uniform as possible.
- Lens material optical grade PMMA with high UV and temperature resistance (105 degrees of Celcius / 220 degrees of Fahrenheit). Allows use of high current and temperature conditions.

Please find more information about used material from below:

[http://ledil.fi/sites/default/files/Documents/Technical/Material/PMMA%20N%20UL94\\_Yellow%20Card.pdf](http://ledil.fi/sites/default/files/Documents/Technical/Material/PMMA%20N%20UL94_Yellow%20Card.pdf)

<http://ledil.fi/sites/default/files/Documents/Technical/Material/PMMA%20N%20PLEXIGLAS-Datasheet.pdf>

- Fastening to PCB with appropriate adhesive. By clicking link below you can find Ledil recommended glue options.

[http://www.ledil.com/datasheets/DataSheet\\_GLUES.pdf](http://www.ledil.com/datasheets/DataSheet_GLUES.pdf)

**NOTE 1: We advise customer to ensure the suitability and sufficiency of the bond in the end product. For example, mechanical stress, vibration and holes on the surface of the circuit board weaken the strength of the glue.**

**NOTE 2: All surfaces where glue is applied must be clean, dry and free from grease and dirt. If cleaning of PCB surfaces is needed, please follow strictly the cleaning instructions of your LED manufacturer -this is important as cleaning shall under no circumstances damage LEDs or other electronics components on the PCB.**

**Further note that optical components shall not be cleaned with any chemicals - only micro fiber cloth may be used to remove fingerprints or other traces from handling.**

D

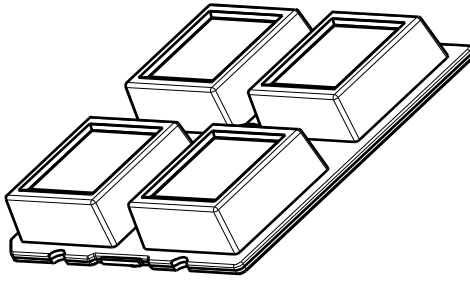
C

B

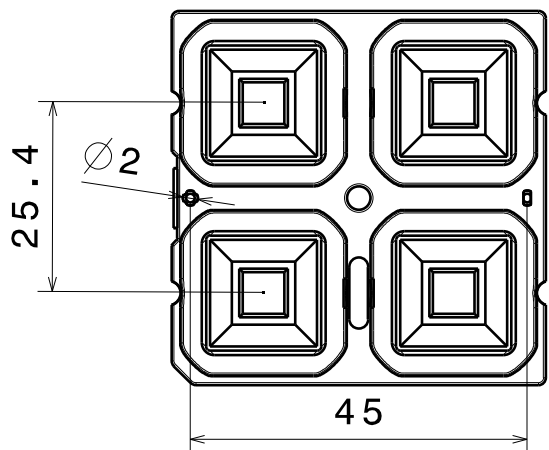
A

4

4



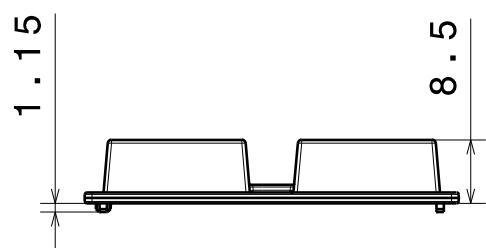
Isometric view



Bottom view

3

3



Front view

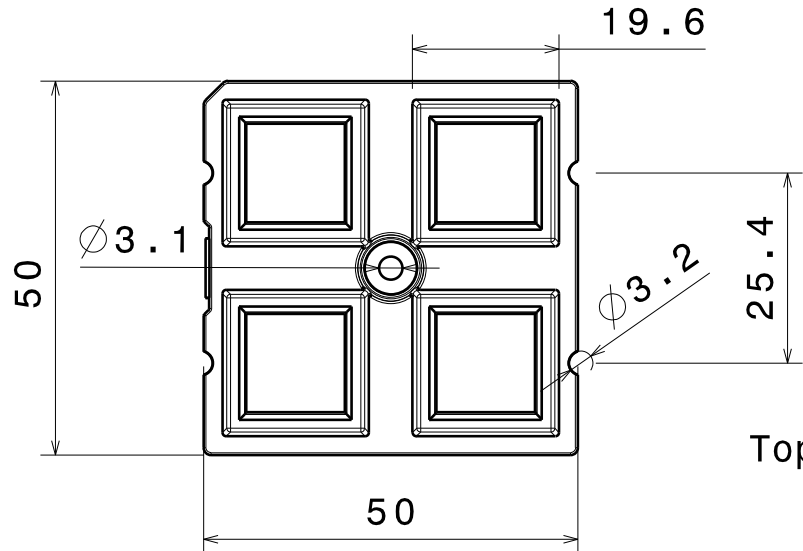
2

2

MATERIALS  
 Lens: PMMA

M3.5 screw  
 recommended for  
 fastening

Fastening also  
 with glue



Top view

This drawing is our property.  
 It can't be reproduced  
 or communicated without  
 our written agreement.



Ledil Oy  
 Tehdaskatu 13  
 FIN-24100 SALO  
 Finland

DRAWING TITLE

Datasheet HB-2x2 Lens module

DRAWN BY  
 mav

DATE  
 21.12.2011

CHECKED BY  
 pv

DATE  
 21.12.2011

DESIGNED BY  
 mav

DATE  
 18.10.2011

SIZE A4 DRAWING NUMBER C12361 REV 2

SCALE 1:1 WEIGHT (g) SHEET 1/1

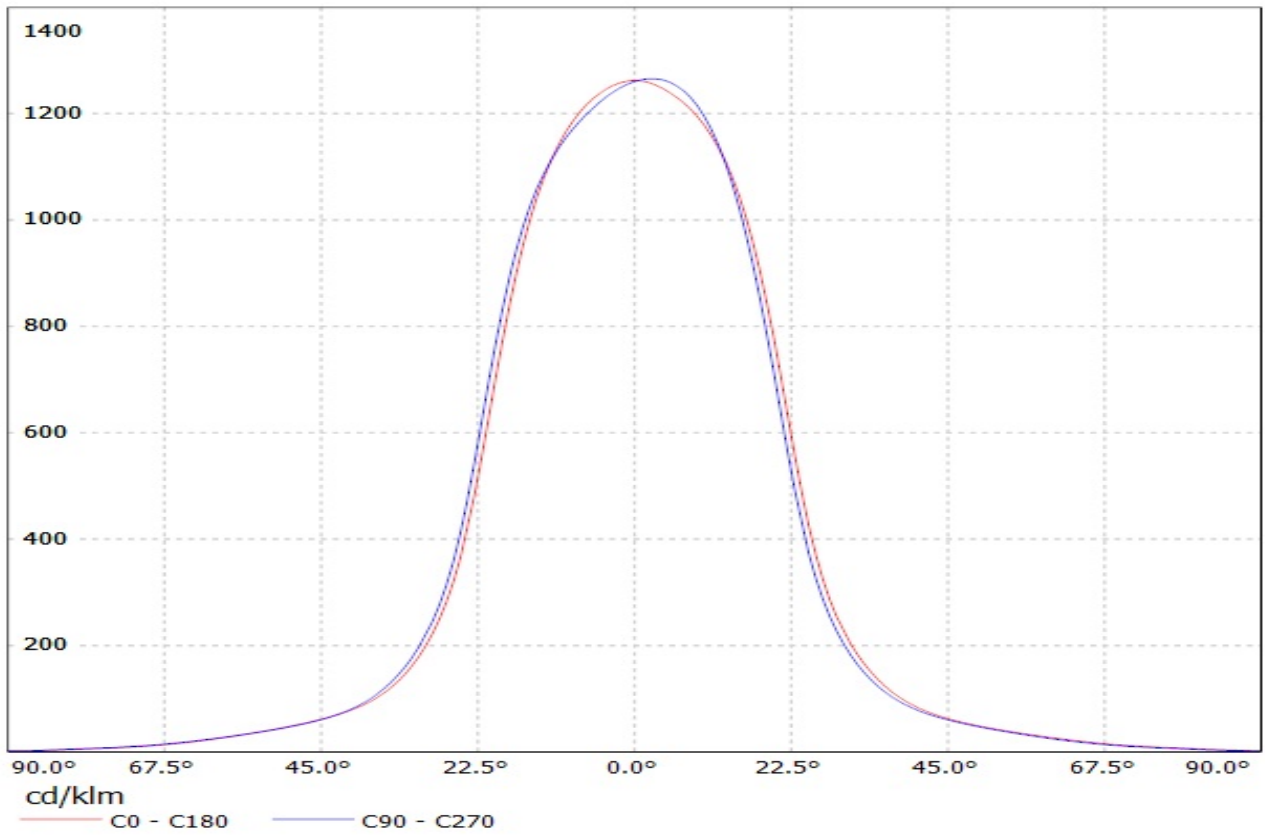
D

A

1

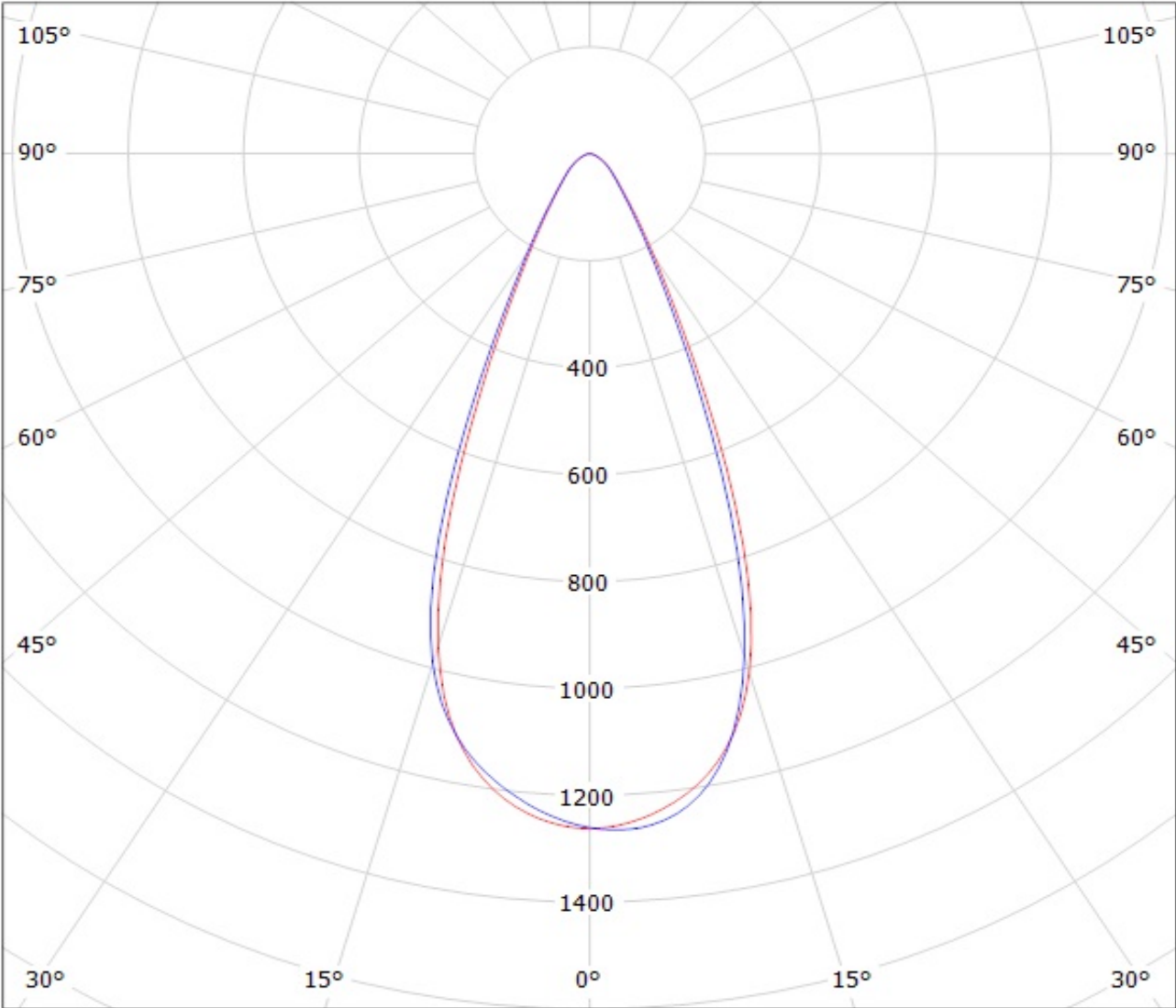
1

Luminaire: LEDIL OY C12361\_HB-2X2 (SSL80) Efficiency=89%  
Lamps: 1 x Osram SSL80 (340lm @ 250mA)



Luminaire: LEDIL OY C12361\_HB-2X2 (SSL80) Efficiency=89%

Lamps: 1 x Osram SSL80 (340lm @ 250mA)



cd/klm

— C0 - C180

— C90 - C270