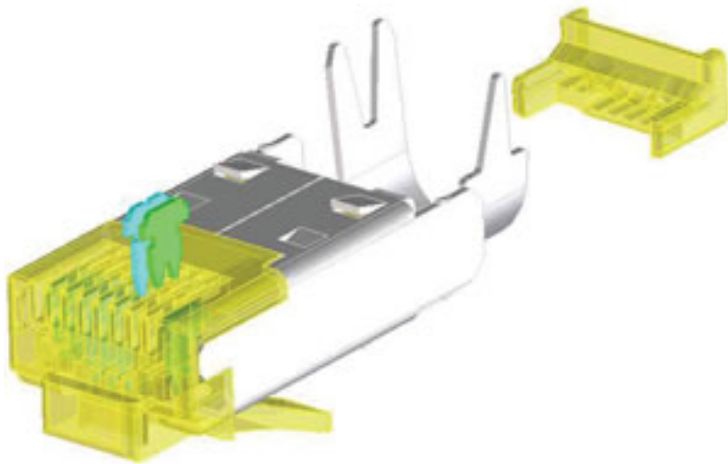


TM31 series shielded RJ45 modular plugs from Hirose offer CAT6a performance.



To meet with the high demand for better performing high speed connectors, Hirose are proud to introduce the TM31 series modular plug that meets with CAT6a performance and ANSI/TIA/EIA-568-B.2-10 standards.

The plug has been designed to be user friendly by having a simple and quick assembly process. This is achieved by using the wire guide plate that places the individual wires to the correct contact. The standard TM11/TM21 series hand tool is suitable for TM31 series allowing quick and easy IDC contact

termination and clamping of the cable. It is also possible to lengthen the cable jacket end during assembly without comprising the CAT6a performance.

The TM31 features a unique contact arrangement placed over two rows instead of one to give improved transmission characteristics and optimized performance.

Covers are available in different colours from the TM21P range. Stranded PIMF cable is recommended in AWG 24-27 size. The part numbers are TM31P-TM-88P(01) for the plug, TM31P-TM-88P(02) for the wire guide and HT601/TM21P-88P for the hand tool.

For more information, or details on the full range of Hirose products available from Anglia, please email info@anglia.com

[Alternatively, click on this link to go to the main Hirose section where you can view other news articles and product data.](#)

[Back to product news](#)

Bookmark with:



[info?](#)

[Show more](#) ▼

This news article was originally published in May 2012.

anglia designs angliadisplays angliaembedded angliagreenpages angliaHi-Rel
anglialighting angliaM2M

Copyright © 1995-2012 Anglia Components Ltd.

Please read our [Privacy Statement](#) in conjunction with the [Terms and Conditions](#) of this Website.

8/11/11