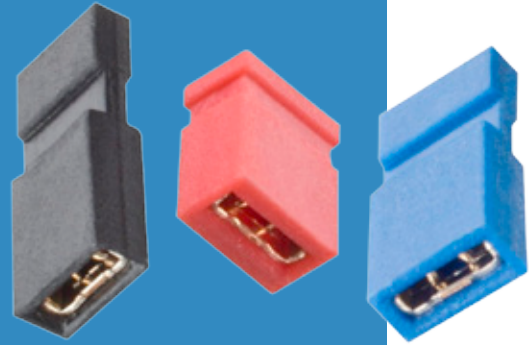


Archer Connectors – M50

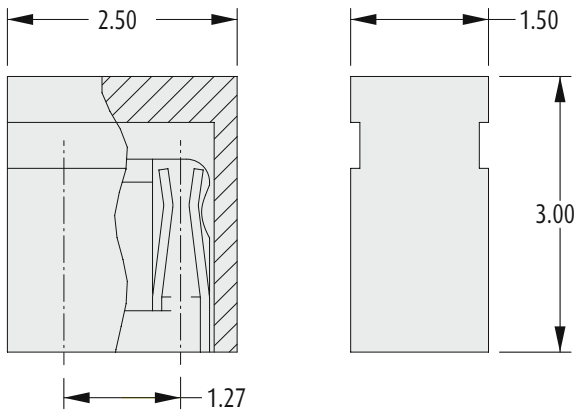


Jumper Sockets

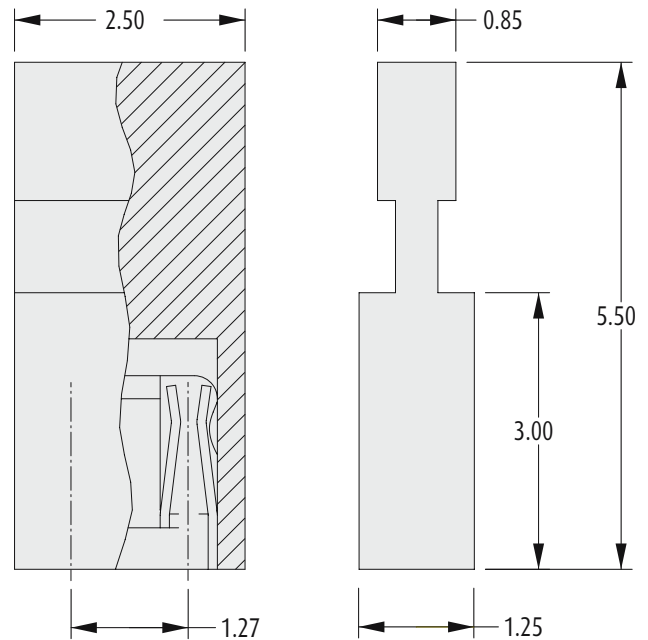
- ❖ Can be fitted and removed by hand, giving an alternative on-board programming method to DIP switches.
- ❖ Suitable for use with pin headers shown on pages 108 and 109.
- ❖ Choice of colours available.



CLOSED TOP



CLOSED TOP WITH HANDLE



1.27mm (.050") PITCH

HOW TO ORDER

M50 - XXX 05

SERIES CODE

FINISH

05

Gold



TYPE

Closed Top		Closed Top with Handle	
190	Black	200	Black
192	Red	202	Red
193	Blue	203	Blue

All dimensions in mm.