

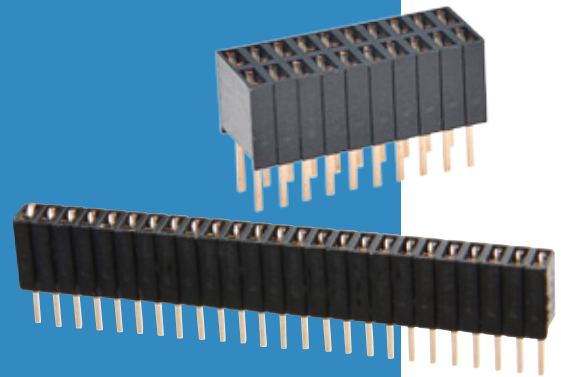
Archer Connectors – M52



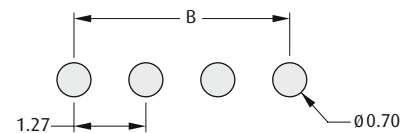
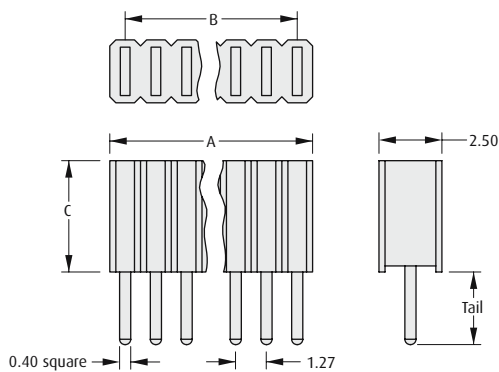
Female Vertical PC Tail

A range of 1.27mm x 2.54mm male and female connectors, for vertical board-to-board applications.

- Choice of connector height.
- Suitable for use with male connectors shown on pages 120 to 122.



SINGLE ROW

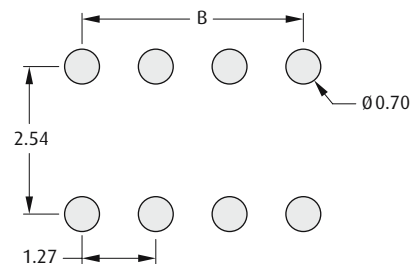
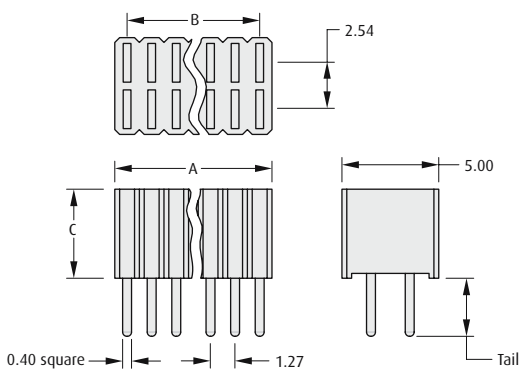


Recommended PC Board Pattern

CALCULATION

A	B + 1.67 (when C = 4.6mm) B + 1.27 (when C = 8.5mm)
B	1.27 x (No. of contacts per row - 1)

DOUBLE ROW



Recommended PC Board Pattern

HOW TO ORDER

M52 - 5 X X XX 45

SERIES CODE

NO. OF ROWS

0	Single Row
1	Double Row

HEIGHT

0	C = 4.6mm, Tail = 3.00mm
1	C = 8.5mm, Tail = 2.80mm

FINISH

45 Gold

NO. OF CONTACTS PER ROW

02 to 40

All dimensions in mm.

1.27mm (.050") PITCH