

GM67X Series Box Side IP67 Panel Mount Jack with Cable and Plug

(Must Be Used with GM67X Series Cable Side Part)

Features

- IP67
- Panel Mount
- Cable and Plug Termination
- Cat. 5 Cable UTP
- Optional Cap Available

Performance Specifications

Materials and Finish

Housing Material

Thermoplastic, UL 94V-0 Rated, Black Color

Contact Material

Phosphor Bronze

Nut Material

Thermoplastic, UL 94V-0 Rated, Black Color

Gasket Material

EPDM

Electrical Characteristics

Insulation Resistance

500 Megohms Min.

Dielectric Withstanding Voltage

1000V DC for 1 Minute

Contact Resistance

50 milliohms Max.

Current Rating

1.5A

Voltage Rating

125V DC

Operating Temperature

-40°C to +80°C

Notes:

*Must be used with GM67X series cable side part

*Kycon can provide custom cable assemblies (mins will apply)

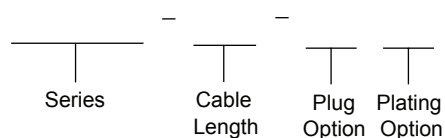
MODULAR JACKS AND PLUGS

GM67X Series

Documentation & Ordering Information

Kycon Part

Part Number Builder



Series

GM67X-CBL - Panel Mount IP67 Modular Jack with Cable and Plug

Cable Length

152 - 152 mm

304 - 304 mm

Plug Option

P - Plug

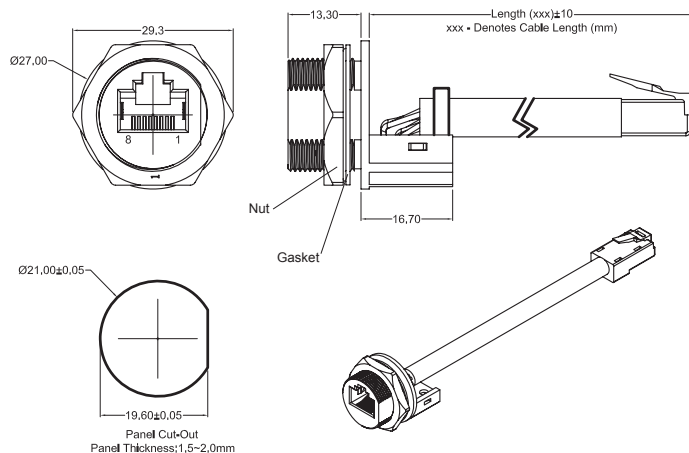
Plating Option

Blank - Standard

50 - 50µ" Gold Plating (Only Available on Jack End)

GM67X-CBL-xxx-P

Dimensions in mm



*Kit includes cable, nut, and gasket

[Click here for assembly instructions](#)