

Metri-Pack Series

630



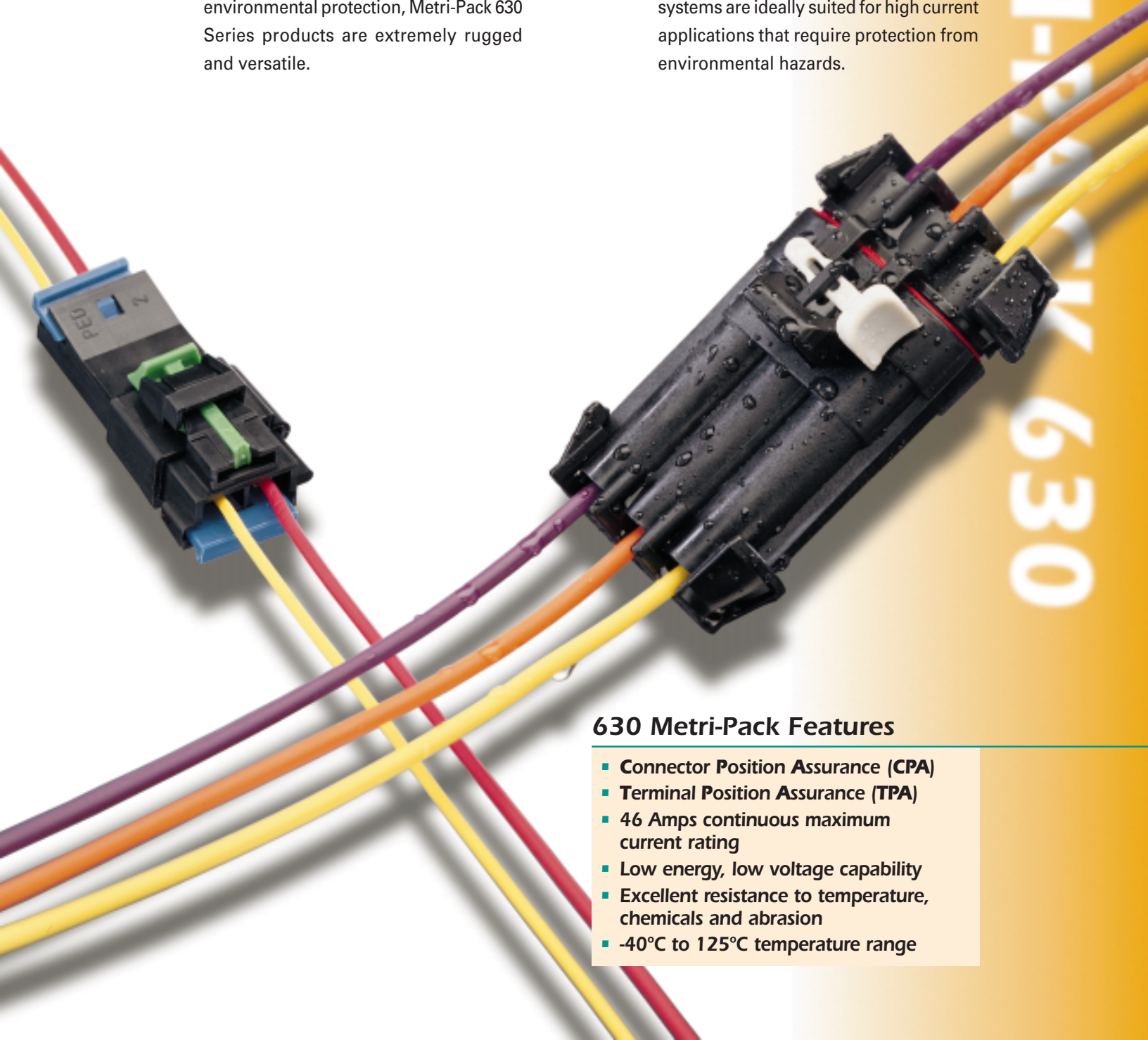
Available in device and in-line connections for vehicle applications, Metri-Pack 630 Series connectors can meet or exceed the requirements for most marine, appliance, and industrial control applications.

Ideally suited for high current applications that do not require environmental protection, Metri-Pack 630 Series products are extremely rugged and versatile.



Available in device and in-line connections for underhood vehicle applications, Metri-Pack 630 Series sealed connectors can meet or exceed the requirements for most marine, appliance, and industrial control applications.

Utilizing triple-rib peripheral silicone rubber seals, Metri-Pack 630 Series sealed systems are ideally suited for high current applications that require protection from environmental hazards.



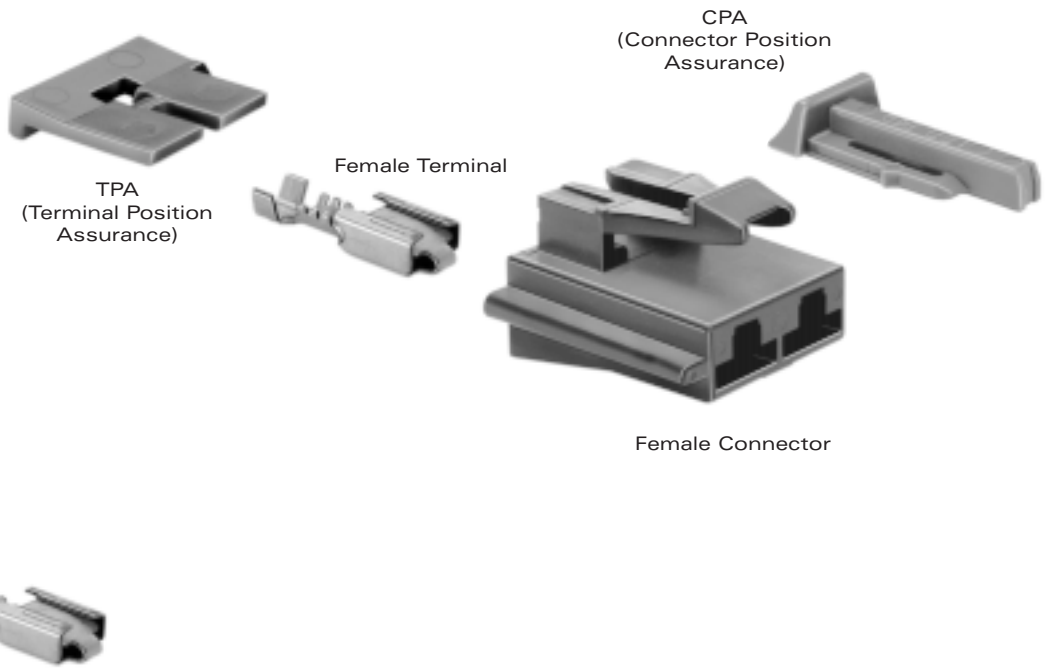
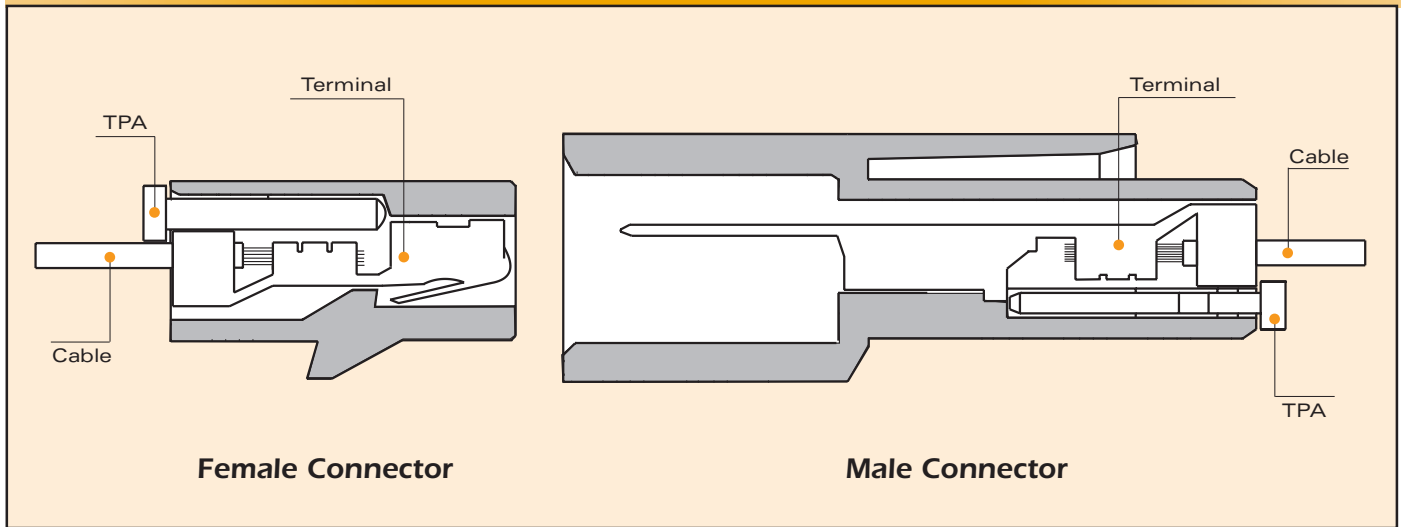
METRI-PACK 630

630 Metri-Pack Features

- Connector Position Assurance (CPA)
- Terminal Position Assurance (TPA)
- 46 Amps continuous maximum current rating
- Low energy, low voltage capability
- Excellent resistance to temperature, chemicals and abrasion
- -40°C to 125°C temperature range



Cross Sectional View



630 FEMALE TERMINALS UNSEALED			
Part #	Cable Range (mm ²)	Material	Plating
12084590	5.0	Tin Brass	Tin
12052224	3.0	Tin Brass	Tin
12084596	3.0 (2 Req'd.)	Tin Brass	Tin
12015870	2.0-1.0	Tin Brass	Tin
12015869	1.0-0.80	Tin Brass	Tin
12020035	0.80-0.50 (2 Req'd.)	Tin Brass	Tin
12052222	0.50-0.35	Tin Brass	Tin

630 FEMALE CONNECTORS UNSEALED				
# Cavities	Connector	Color	Material	TPA
2	12129939	Black	PA66 HS IM	12129940
4	12015664	Black	PA6	-

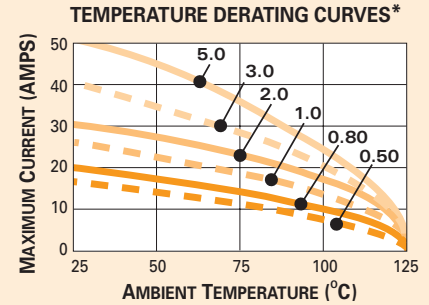
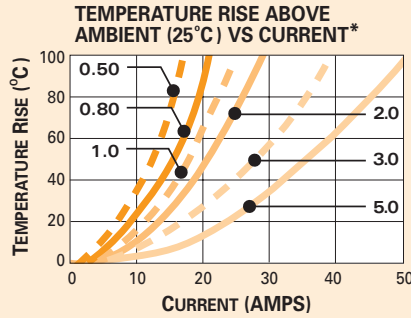
<http://delphi.com/products/connect>



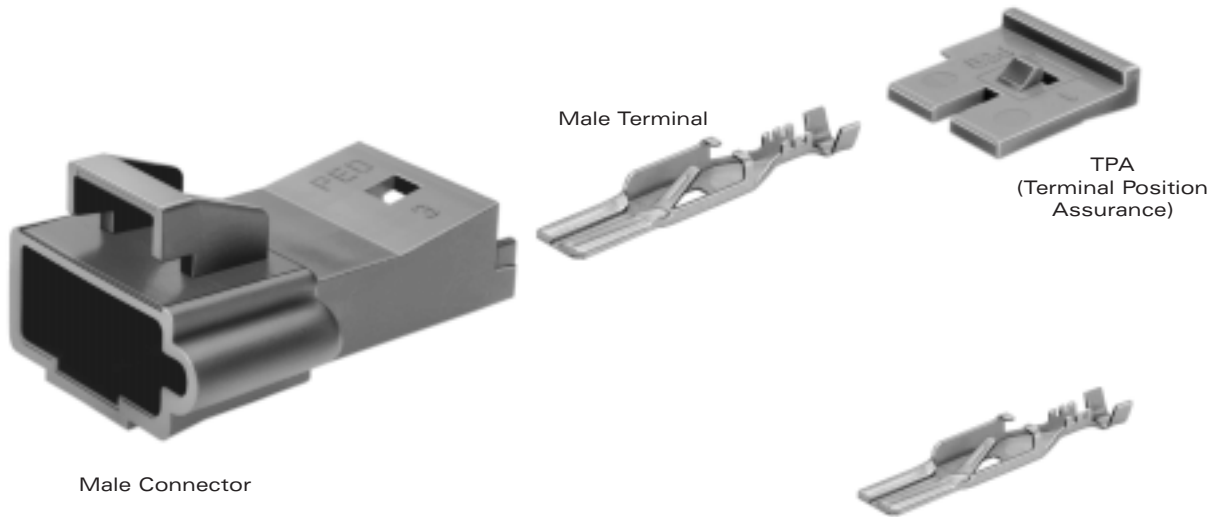
Unsealed System Application Information

CABLE RANGE (mm²): 0.35-5.0
CURRENT RANGE (AMPS): 0-46
TEMP RANGE °C: -40 to 125
RESISTANCE: <10mΩ@20mV
VOLTAGE DROP: <3.0mV/amp
CENTERLINE SPACING (mm): 8.5
BLADE WIDTH (mm): 6.3

630 SERIES TERMINALS-Tin Plated



*The test data are based on single circuits in free space and were generated using a "Lumped Resistance" model. This model does not account for all of the variables that would be present in an actual application. For actual product performance, contact your regional support representative at the number listed below.



630 MALE CONNECTORS UNSEALED

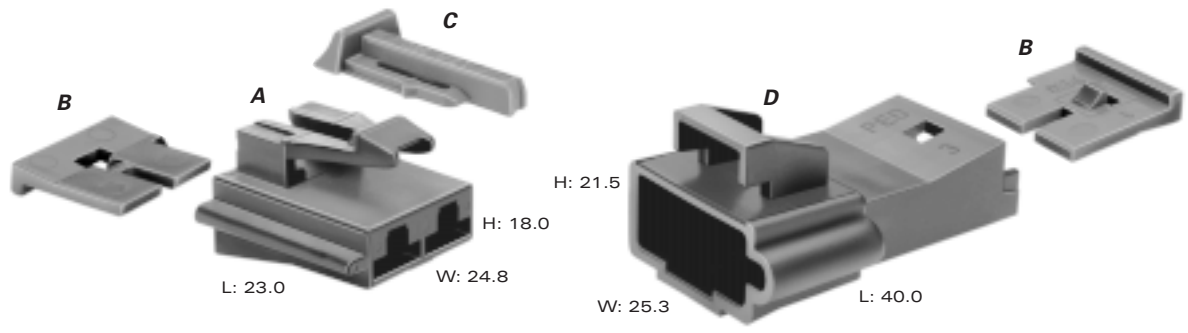
# Cavities	Connector	Color	Material	TPA
2	12129938	Black	PA66 HS IM	12129940
4	12052623	Black	PA6	-

630 MALE TERMINALS UNSEALED

Part #	Cable Range (mm ²)	Material	Plating
12066493	5.0	Tin Brass	Tin over Copper
12052826	3.0	Tin Brass	Tin over Copper
12020365	3.0 (2 Req'd.)	Tin Brass	Tin over Copper
12020126	2.0-1.0	Tin Brass	Tin over Copper
12020125	1.0-0.80	Tin Brass	Tin over Copper
12033972	0.80-0.50 (2 Req'd.)	Tin Brass	Tin over Copper
12066454	0.50-0.35	Tin Brass	Tin over Copper

SECTION NOTES:

- Contact your regional support representative at the number listed below.
- Due to rigid tolerances of connector cavities, it is critical to meet all crimp dimensions as specified.



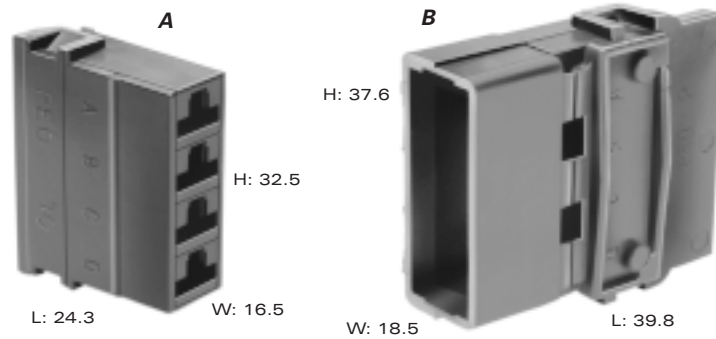
Total Mated Length: 53.0mm

A PART NO: 12129939
 DESCRIPTION: Connector 2F
 SIZE: 23.0L x 18.0H x 24.8W
 COLOR: Black
 MATERIAL: PA66 HS IM
 TERMINALS: See Page 106

D PART NO: 12129938
 DESCRIPTION: Connector 2M (Clip Slot-Self Locking)
 SIZE: 40.0L x 21.5H x 25.3W
 COLOR: Black
 MATERIAL: PA66 HS IM
 TERMINALS: See Page 107

B PART NO: 12129940
 DESCRIPTION: TPA
 NUMBER REQ: 2
 COLOR: Blue
 MATERIAL: PA6

C PART NO: 12052834
 DESCRIPTION: CPA
 COLOR: Green
 MATERIAL: PP



Total Mated Length: 53.1mm

A PART NO: 12015664*

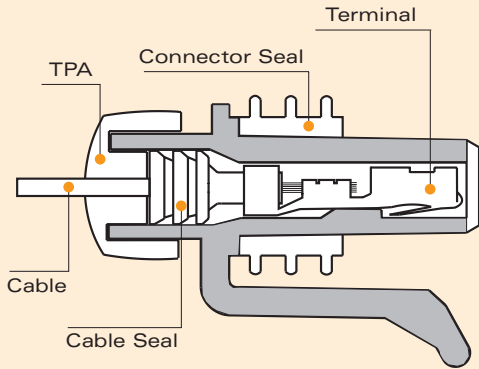
DESCRIPTION: Connector 4F
 SIZE: 24.3L x 32.5H x 16.5W
 COLOR: Black
 MATERIAL: PA6
 TERMINALS: See Page 106
 *HINGED SECONDARY LOCK.

B PART NO: 12052623*

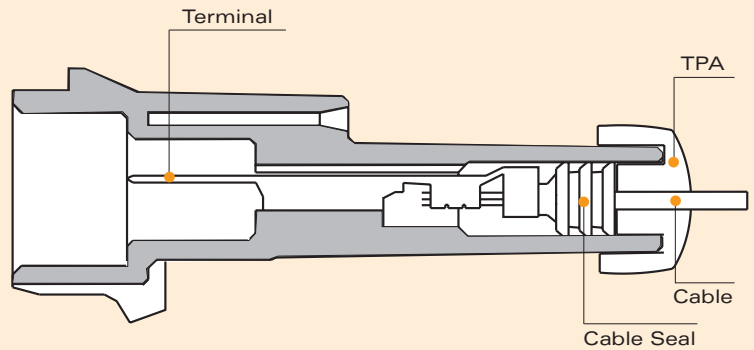
DESCRIPTION: Connector 4M
 SIZE: 39.8L x 37.6H x 18.5W
 COLOR: Black
 MATERIAL: PA6
 TERMINALS: See Page 107
 *HINGED SECONDARY LOCK.



Cross Sectional View



Female Connector Assembly



Male Connector

TPA
(Terminal Position Assurance)



Cable Seal

Female Terminal



Female Connector Assembly

630 FEMALE TERMINALS SEALED

Part #	Cable Range (mm ²)	Material	Plating
12052456	5.0-3.0	Tin Brass	Tin
12052455	2.0-1.0	Tin Brass	Tin
12052457	0.80-0.50	Tin Brass	Tin



630 FEMALE PULL-TO-SEAT TERMINALS

Part #	Cable Range (mm ²)	Material	Plating
12033997	5.0-3.0	Tin Brass	Tin
12066614	2.0-1.0	Tin Brass	Tin
12020156	0.80-0.50	Tin Brass	Tin



630 METRI-PACK CABLE SEALS

Reel Part #	Loose Part #	Cable Diameter	Material	Color
12059257	12052386	5.15-4.40	Silicone	Green
12059260	12052668	4.50-3.61	Silicone	Blue
12059258	12052387	3.75-2.81	Silicone	Lt. Gray
12059259	12052388	2.85-2.01	Silicone	Dk. Red
12077760	12077759	2.15-1.65	Silicone	Tan

630 FEMALE CONNECTOR ASSEMBLY SEALED

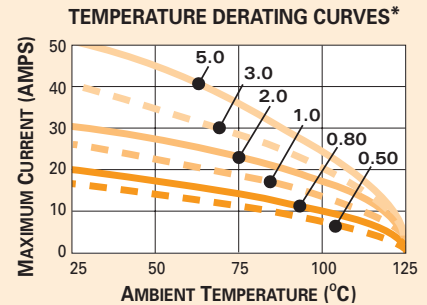
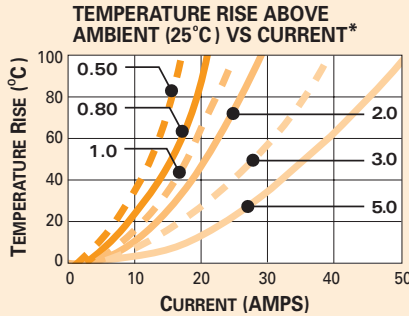
# Cavities	Conn. Asm.	Color	Material	TPA
3	12124685	Black	PA6	12045699



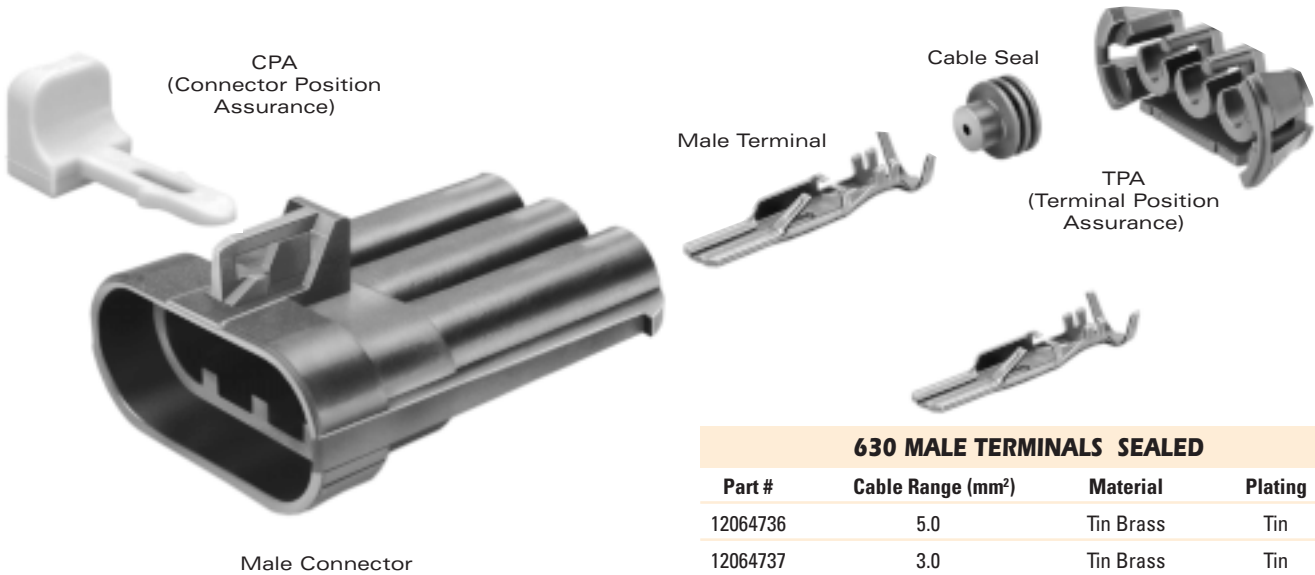
Sealed System Application Information

CABLE RANGE (mm²): 0.50-5.0
CURRENT RANGE (AMPS): 0-46
TEMP RANGE °C: -40 to 125
RESISTANCE: <10mΩ@20mV
VOLTAGE DROP: <3.0mV/amp
CENTERLINE SPACING (mm): 10.8
BLADE WIDTH (mm): 6.3

630 SERIES TERMINALS-Tin Plated



*The test data are based on single circuits in free space and were generated using a "Lumped Resistance" model. This model does not account for all of the variables that would be present in an actual application. For actual product performance, contact your regional support representative at the number listed below.



630 MALE TERMINALS SEALED

Part #	Cable Range (mm ²)	Material	Plating
12064736	5.0	Tin Brass	Tin
12064737	3.0	Tin Brass	Tin
12064735	2.0-1.0	Tin Brass	Tin
12064734	0.80-0.50	Tin Brass	Tin

630 MALE CONNECTOR SEALED

# Cavities	Connector	Color	Material	TPA
3	12124686	Black	PBT 30% GF	12045699



630 METRI-PACK CAVITY PLUG*

Part #	Cavity Inside Diameter	Material	Color
12059255	9.8mm	Silicone	Lt. Green

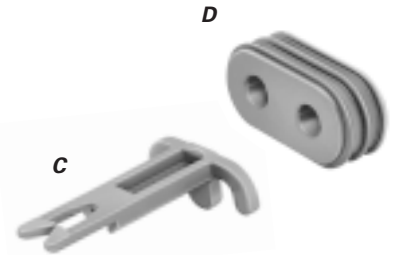
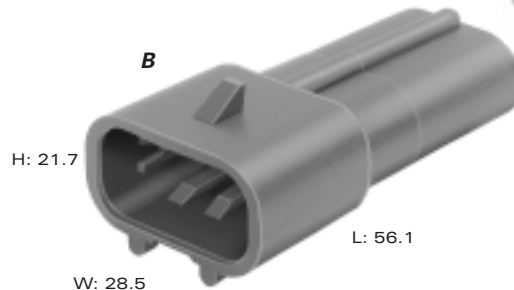
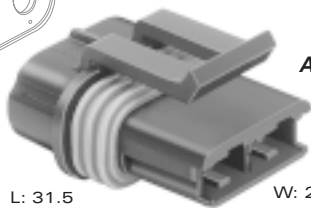
*Cavity plugs seal unused female and male cavities.

SECTION NOTES:

- Contact your regional support representative at the number listed below.
- Due to rigid tolerances of connector cavities, it is critical to meet all crimp dimensions as specified.



Multiple Cable Seal
(Included)



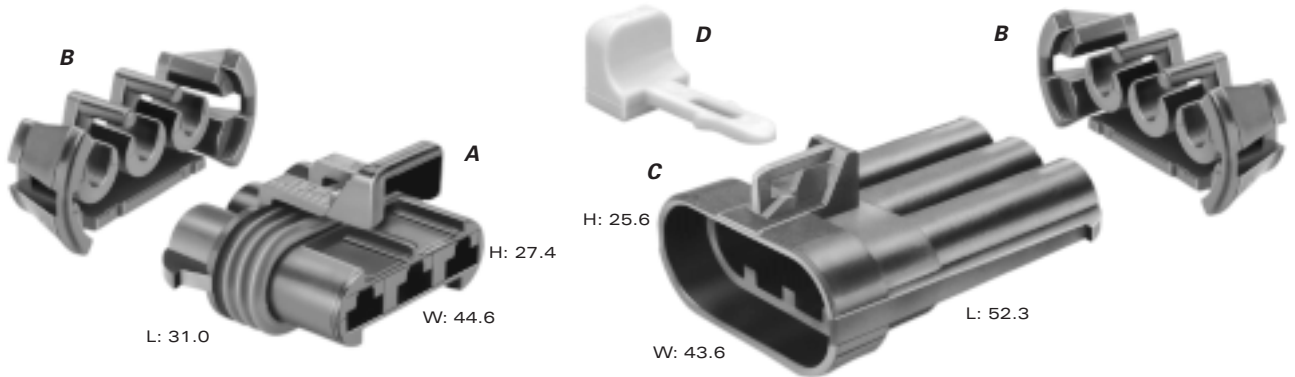
Total Mated Length: 67.5mm

A PART NO: 12033769
 DESCRIPTION: Connector Assembly 2F
 SIZE: 31.5L x 20.0H x 27.3W
 COLOR: Black
 MATERIAL: PA66 HS IM
 TERMINALS: See Page 110, Pull-To-Seat Terminals

B PART NO: 12034269
 DESCRIPTION: Connector 2M
 SIZE: 56.1L x 21.7H x 28.5W
 COLOR: Black
 MATERIAL: PA66 HS IM
 TERMINALS: See Page 111

C PART NO: 12034363
 DESCRIPTION: TPA
 COLOR: Md. Gray
 MATERIAL: PA66 HS IM

D PART NO: 12034364
 DESCRIPTION: Seal
 COLOR: Gray
 MATERIAL: Silicone



Total Mated Length: 69.5mm

A PART NO: 12124685
 DESCRIPTION: Connector Assembly 3F
 SIZE: 31.0L x 27.4H x 44.6W
 COLOR: Black
 MATERIAL: PA6
 TERMINALS: See Page 110
 SEALS/PLUGS: See Page 110, 111

C PART NO: 12124686
 DESCRIPTION: Connector 3M (Clip Slot)
 SIZE: 52.3L x 25.6H x 43.6W
 COLOR: Black
 MATERIAL: PBT 30% GF
 TERMINALS: See Page 111
 SEALS/PLUGS: See Page 110, 111

B PART NO: 12045699
 DESCRIPTION: TPA
 NUMBER REQ: 2
 COLOR: Black
 MATERIAL: PA6

D PART NO: 12020833
 DESCRIPTION: CPA
 COLOR: Gray
 MATERIAL: PBT