

# T1/E1 Protection GR-1089-CORE Inter-building

## Solution Products



TBU-DT085-200-WH



TISP4015L1BJR-S



2020-42T-C2FLF



B1250T

## Design Kit



PN-DESIGNKIT-40

## Objective

T1/E1 ports are data communication ports used to communicate over long cable distances. This solution provides protection against surge and power contact threats.

## Solution

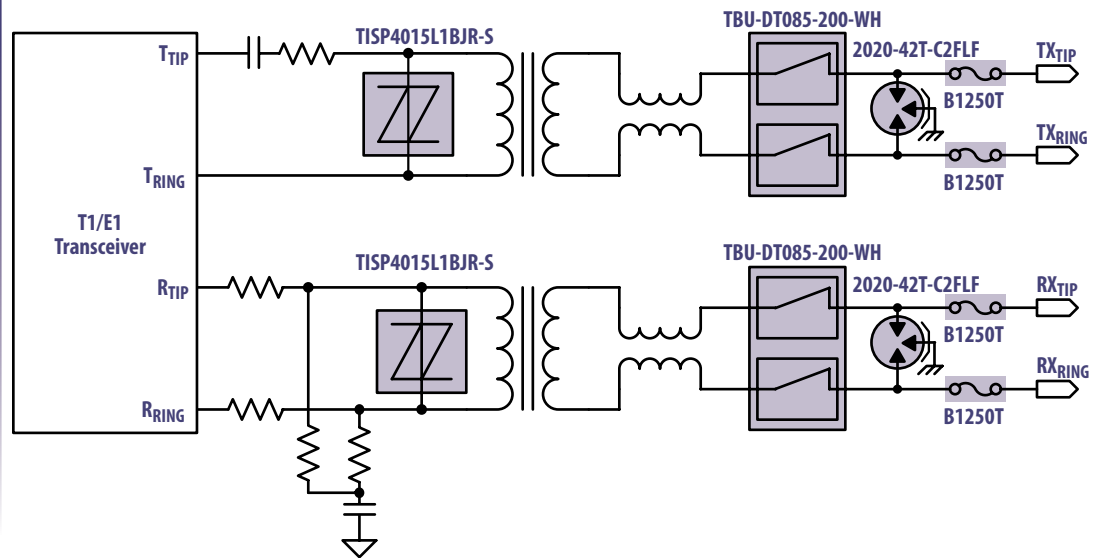
- 2 TBU<sup>®</sup> High-Speed Protectors:  
TBU-DT085-200-WH
- 2 Thyristor Surge Protectors:  
TISP4015L1BJR-S
- 2 GDTs: 2020-42T-C2FLF
- 4 Fuses: B1250T

## Compliance

GR-1089-CORE, Section 4, Port Types 1, 3, 5

## Benefit

This solution provides protection without impairing the signal.



*The schematic above illustrates the application protection and does not constitute the complete circuit design. Customers should verify actual device performance in their specific applications.*