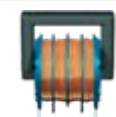
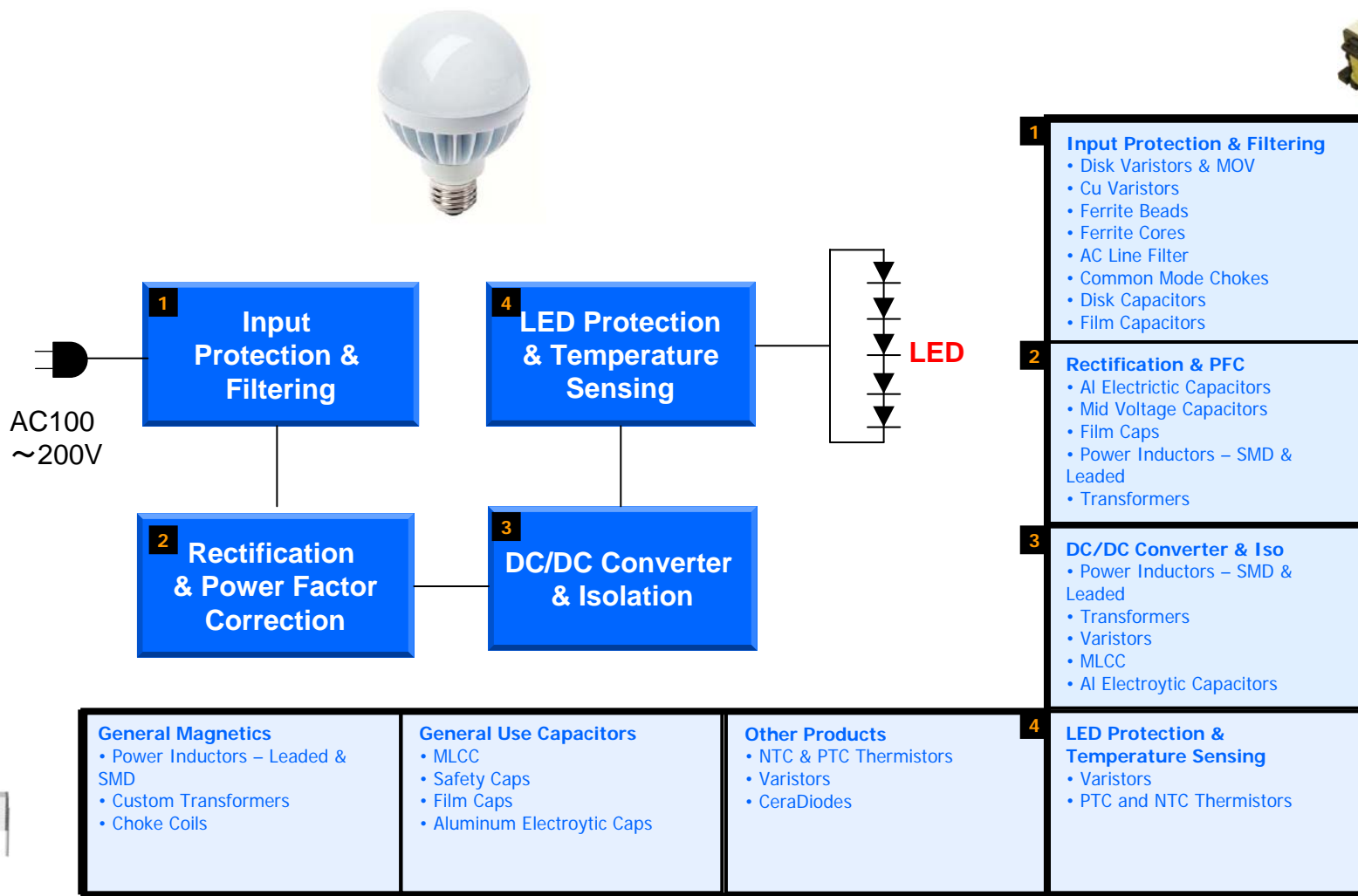




Creating Advanced Products for New Technologies  
LED Lighting Solutions

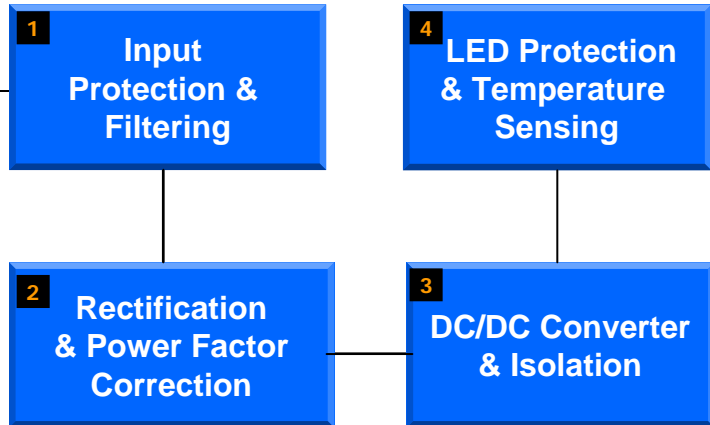
# LED Lighting – Replacement Bulbs



# LED Lighting – T5 & T8 Replacement



AC100  
~200V

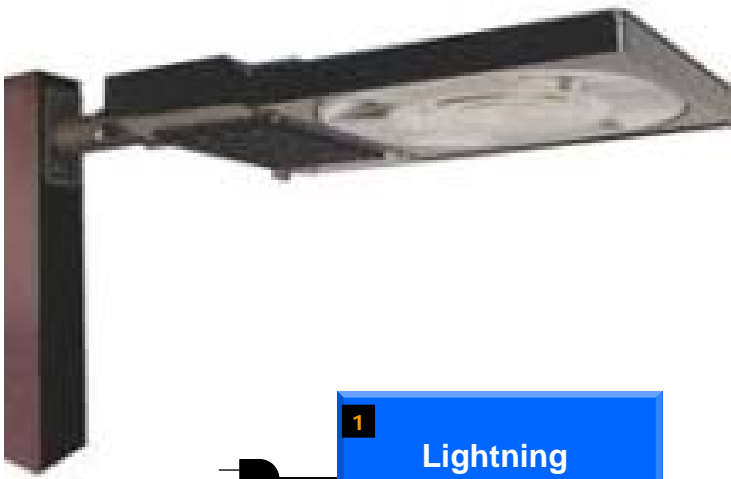


- |   |  |
|---|--|
| 1 | <b>Input Protection &amp; Filtering</b> <ul style="list-style-type: none"> <li>• Disk Varistors &amp; MOV</li> <li>• Cu Varistors</li> <li>• Ferrite Beads</li> <li>• Ferrite Cores</li> <li>• AC Line Filter</li> <li>• Common Mode Chokes</li> <li>• Disk Capacitors</li> <li>• Film Capacitors</li> </ul> |
| 2 | <b>Rectification &amp; PFC</b> <ul style="list-style-type: none"> <li>• Alum Electrolytic Capacitors</li> <li>• Mid Voltage Capacitors</li> <li>• Film Capacitors</li> <li>• Power Inductors</li> <li>• Transformers</li> </ul>  |
| 3 | <b>DC/DC Converter &amp; Iso</b> <ul style="list-style-type: none"> <li>• Power Inductors</li> <li>• Transformers</li> <li>• Varistors</li> <li>• MLCC</li> <li>• Alum Electrolytic Capacitors</li> </ul>  |
| 4 | <b>LED Protection &amp; Temperature Sensing</b> <ul style="list-style-type: none"> <li>• Varistors</li> <li>• PTC &amp; NTC Thermistors</li> </ul>   |

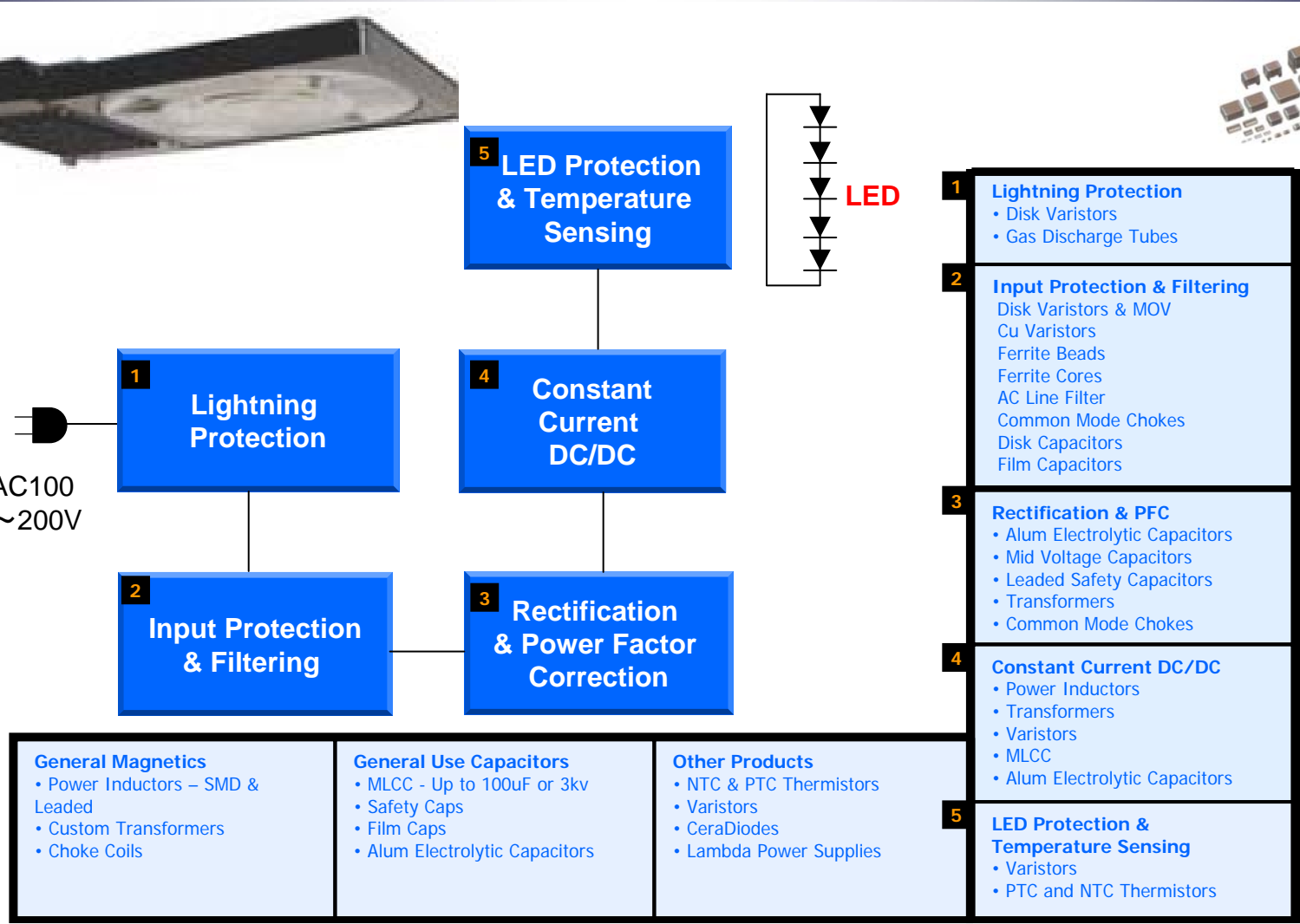
- |   |  |  |
|---|--|--|
| <b>General Magnetics</b> <ul style="list-style-type: none"> <li>• Power Inductors – Ledged &amp; SMD</li> <li>• Custom Transformers</li> <li>• Choke Coils</li> <li>• Ferrites</li> </ul> | <b>General Use Capacitors</b> <ul style="list-style-type: none"> <li>• MLCC</li> <li>• Safety Caps</li> <li>• Film Caps</li> <li>• Alum Electrolytic Capacitors</li> </ul> | <b>Other Products</b> <ul style="list-style-type: none"> <li>• NTC &amp; PTC Thermistors</li> <li>• Varistors</li> <li>• CeraDiodes</li> </ul> |
|---|--|--|



# LED Lighting – Area Lighting



AC100  
~200V

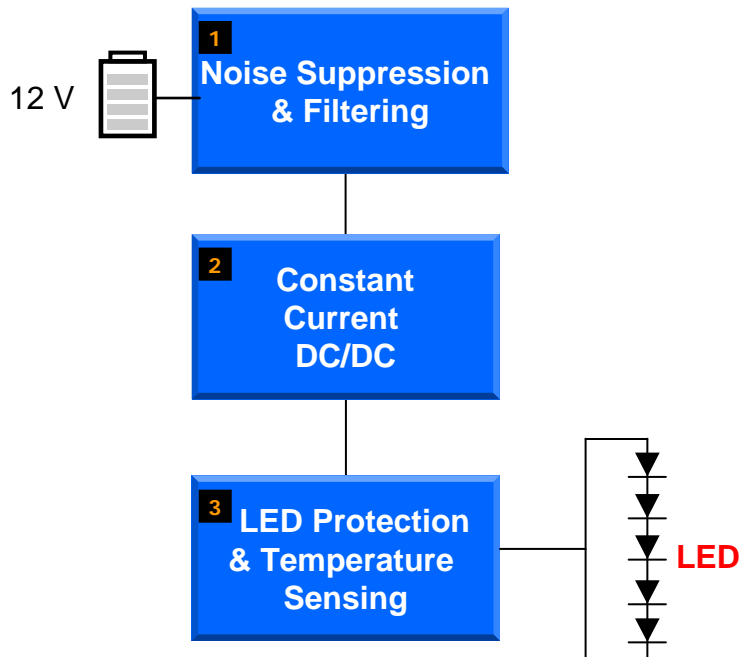


General Magnetics	General Use Capacitors	Other Products
<ul style="list-style-type: none"> <li>Power Inductors – SMD &amp; Leaded</li> <li>Custom Transformers</li> <li>Choke Coils</li> </ul>	<ul style="list-style-type: none"> <li>MLCC - Up to 100uF or 3kv</li> <li>Safety Caps</li> <li>Film Caps</li> <li>Alum Electrolytic Capacitors</li> </ul>	<ul style="list-style-type: none"> <li>NTC &amp; PTC Thermistors</li> <li>Varistors</li> <li>CeraDiodes</li> <li>Lambda Power Supplies</li> </ul>

- Lightning Protection**
  - Disk Varistors
  - Gas Discharge Tubes
- Input Protection & Filtering**
  - Disk Varistors & MOV
  - Cu Varistors
  - Ferrite Beads
  - Ferrite Cores
  - AC Line Filter
  - Common Mode Chokes
  - Disk Capacitors
  - Film Capacitors
- Rectification & PFC**
  - Alum Electrolytic Capacitors
  - Mid Voltage Capacitors
  - Leaded Safety Capacitors
  - Transformers
  - Common Mode Chokes
- Constant Current DC/DC**
  - Power Inductors
  - Transformers
  - Varistors
  - MLCC
  - Alum Electrolytic Capacitors
- LED Protection & Temperature Sensing**
  - Varistors
  - PTC and NTC Thermistors



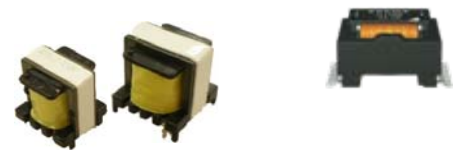
# LED Lighting – Automotive









<b>1</b>	<b>Noise Suppression &amp; Filtering</b> <ul style="list-style-type: none"> <li>• Ferrite Beads</li> <li>• Common Mode Chokes</li> </ul>
<b>2</b>	<b>Constant Current DC/DC</b> <ul style="list-style-type: none"> <li>• Power Inductors</li> <li>• Transformers</li> <li>• Varistors</li> <li>• MLCC</li> <li>• Alum Electrolytic Capacitors</li> </ul>
<b>3</b>	<b>LED Protection &amp; Temperature Sensing</b> <ul style="list-style-type: none"> <li>• MLV &amp; CeraDiodes</li> <li>• PTC Thermistors</li> <li>• NTC Thermistors</li> </ul>



<b>General Magnetics</b> <ul style="list-style-type: none"> <li>• Power Inductors – Leaded &amp; SMD</li> <li>• Custom Transformers</li> <li>• Choke Coils</li> </ul>	<b>General Use Capacitors</b> <ul style="list-style-type: none"> <li>• MLCC</li> <li>• Safety Caps</li> <li>• Film Caps</li> <li>• Alum Electrolytic Capacitors</li> </ul>	<b>Other Products</b> <ul style="list-style-type: none"> <li>• NTC &amp; PTC Thermistors</li> <li>• Varistors</li> <li>• CeraDiodes</li> </ul>
---	--	--



# LED Lighting Support Team

Business Group	Product Support Contact	Email	Phone
 <p>MLCCs</p>	Jeremy Coe	<a href="mailto:jeremy.coe@us.tdk.com">jeremy.coe@us.tdk.com</a>	972-409-4510
 <p>Film Caps</p>	Graciela Saldua	<a href="mailto:graciela.saldua@epcos.com">graciela.saldua@epcos.com</a>	732-906-4386
 <p>Aluminum Electrolytics</p>	Norton Brissac	<a href="mailto:norton.brissac@epcos.com">norton.brissac@epcos.com</a>	732-906-4316
 <p>Magnetics</p>	Stan Kato	<a href="mailto:stan.kato@us.tdk.com">stan.kato@us.tdk.com</a>	847-390-4332
 <p>Sensors</p>	Jason Blume	<a href="mailto:jason.blume@epcos.com">jason.blume@epcos.com</a>	732-906-4315
 <p>Piezo &amp; Protection</p>	Rob O'Conner	<a href="mailto:rob.oconner@epcos.com">rob.oconner@epcos.com</a>	732-906-4377
Distribution Vertical Market Leader	Marc Picard	<a href="mailto:marc.picard@us.tdk.com">marc.picard@us.tdk.com</a>	714-934-7324