

# ATTENUATORS – FIXED COAXIAL

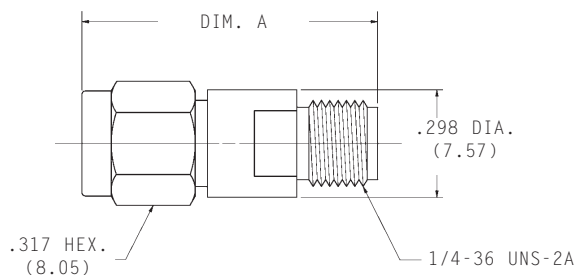
SV Microwave manufactures a complete line of standard and custom-designed attenuators, including QPL and Hi-Rel versions. A variety of connector configurations are available, including: SMA, SVK 2.92mm, 2.4mm, Blindmate, ZMA, SMB, SMC, SSMA, BNC, TNC and Type N, and provide direct replacements for other manufacturers. Low-power chip attenuators are also available in standard and innovative custom designs.

## Features

- Nominal Impedance: 50 Ohms
- Connector interfaces are in accordance with MIL-PRF-39012.
- Attenuators meet requirements of MIL-A-3933
- Environmental standards per MIL-STD-202

## SMA Subminiature • High Performance • 2 Watts • DC – 18 GHz

- 2 Watts @ +25°C derated linearly to 0.5 Watt @ +125°C (500 Watts peak power)
- Available in 0.5 dB increments from 1 to 10 dB
- Available in 1 dB increments from 11 to 20 dB
- 50 dB and 60 dB attenuation values available
- Plug-to-plug and jack-to-jack also available



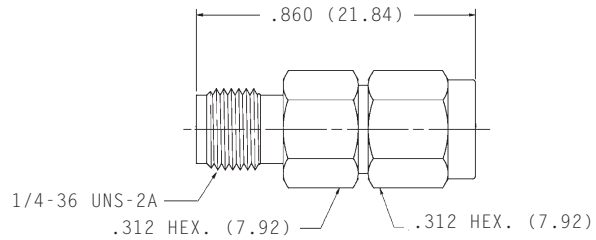
Part Number	dB Value	Attenuation Accuracy	VSWR				DM. A Inch (mm)
			DC – 4	4 – 8	8 – 12.4	12.4 – 18	
<b>SF0929-6200-03</b>	3	±0.3 dB	1.15:1 max.	1.20:1 max.	1.25:1 max.	1.35:1 max.	.86 (21.8)
<b>SF0929-6200-06</b>	6	±0.3 dB					
<b>SF0929-6200-10</b>	10	±0.5 dB					
<b>SF0929-6200-20</b>	20	±0.7 dB	1.15:1 max.	1.20:1 max.	1.25:1 max.	1.35:1 max.	.99 (25.1)
<b>SF0929-6200-30</b>	30	±1.0 dB					
<b>SF0929-6200-40</b>	40	±1.0 dB					

Finish: Passivated stainless steel body and connectors.

# ATTENUATORS – FIXED COAXIAL

## SMA Subminiature • 2 Watts • DC – 18 GHz

- 2 Watts @ +25°C derated linearly to 0.5 Watt @ +125°C (100 Watts peak power)
- Additional attenuation values available
- Plug-to-plug and jack-to-jack also available

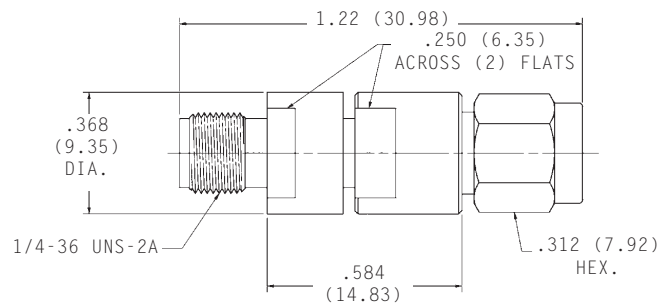


Part Number	dB Value	Attenuation Accuracy	VSWR		
			DC – 4	4 – 12.4	12.4 – 18
<b>SF0929-6299-03</b>	3	± 0.50 dB	1.15:1 max.	1.25:1 max.	1.50:1 max.
<b>SF0929-6299-06</b>	6	± 0.75 dB			
<b>SF0929-6299-10</b>	10	± 0.75 dB			
<b>SF0929-6299-20</b>	20	± 1.00 dB			

Finish: Passivated stainless steel body and connectors.

## SMA Miniature • 2 Watts • DC – 18 GHz

- 2 Watts @ +25°C derated linearly to 0.5 Watt @ +125°C (200 Watts peak power)
- Available in 0.5 dB increments from 0.5 to 10 dB
- Available in 1 dB increments from 10 to 20 dB
- Plug-to-plug and jack-to-jack also available



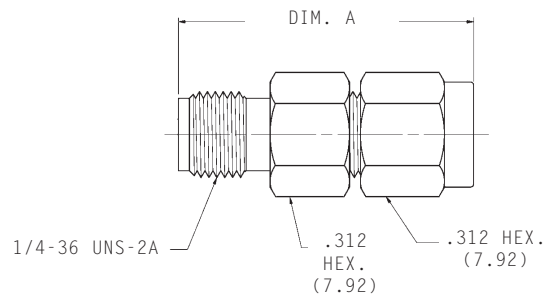
Part Number	dB Value	Attenuation Accuracy	VSWR			
			DC – 4	4 – 8	8 – 12.4	12.4 – 18
<b>SF0930-6200-03</b>	3	± 0.3 dB	1.15:1 max.	1.20:1 max.	1.25:1 max.	1.35:1 max.
<b>SF0930-6200-06</b>	6	± 0.3 dB				
<b>SF0930-6200-10</b>	10	± 0.5 dB				
<b>SF0930-6200-20</b>	20	± 0.7 dB				
<b>SF0930-6200-30</b>	30	± 1.0 dB				
<b>SF0930-6200-40</b>	40	± 1.0 dB				

Finish: Passivated stainless steel body and connectors.

# ATTENUATORS – FIXED COAXIAL

## SMA Subminiature • High Performance • 2 Watts • DC – 18 GHz

- 2 Watts @ +25°C derated linearly to 0.5 Watt @ +125°C (500 Watts peak power)
- Additional attenuation values available
- Plug-to-plug and jack-to-jack also available

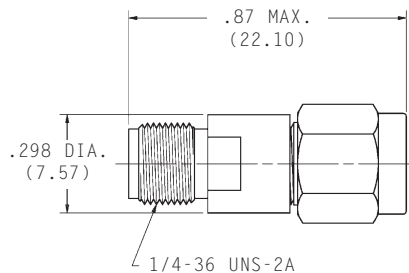


Part Number	dB Value	Attenuation Accuracy	VSWR				DIM. A Inch (mm)
			DC – 4	4 – 8	8 – 12.4	12.4 – 18	
<b>SF0929-6112-03</b>	3	±0.3 dB	1.15:1 max.	1.20:1 max.	1.25:1 max.	1.35:1 max.	.86 (21.8)
<b>SF0929-6112-06</b>	6	±0.3 dB					
<b>SF0929-6112-10</b>	10	±0.5 dB					
<b>SF0929-6112-20</b>	20	±0.6 dB	1.15:1 max.	1.20:1 max.	1.25:1 max.	1.35:1 max.	.99 (25.1)
<b>SF0929-6112-30</b>	30	±1.0 dB					
<b>SF0929-6112-40</b>	40	±1.0 dB					

Finish: Passivated stainless steel body and connectors.

## SVK 2.92mm • 0.5 Watt • DC – 40 GHz

- 0.5 Watts @ +25°C derated linearly to 0.25 Watt @ +125°C (100 Watts peak power)
- Additional attenuation values available
- Plug-to-plug and jack-to-jack also available

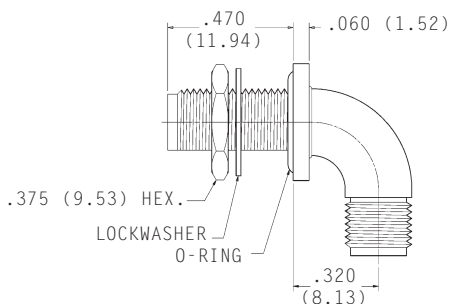


Part Number	dB Value	Attenuation Accuracy		VSWR	
		DC – 26.5	26.5 – 40	DC – 26.5	26.5 – 40
<b>SF0915-6200-03</b>	3	±0.5 dB	±0.8 dB	1.30:1 max.	1.40:1 max.
<b>SF0915-6200-06</b>	6				
<b>SF0915-6200-10</b>	10				
<b>SF0915-6200-20</b>	20	±0.6 dB	±1.0 dB		

Finish: Passivated stainless steel body and connectors.

# ATTENUATORS – FIXED COAXIAL

## SMA Radius Right Angle • 2 Watts DC – 12.4 GHz

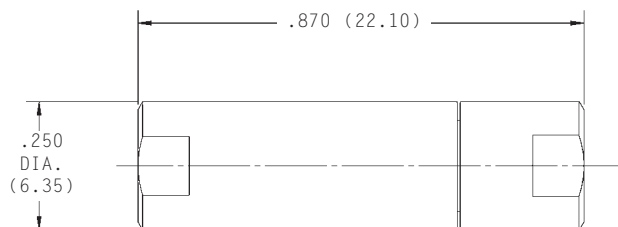


- 2 Watts @ +25°C derated linearly to 0.5 Watt @ +125°C (100 Watts peak power)
- Available in 1 dB increments from 1 to 20 dB

Part Number	dB Value	Attenuation Accuracy	VSWR 12.4 GHz
<b>SF0992-6002-03</b>	3	±0.50 dB	1.25:1 max.
<b>SF0992-6002-06</b>	6	±0.60 dB	
<b>SF0992-6002-10</b>	10	±0.70 dB	
<b>SF0992-6002-20</b>	20	±0.75 dB	

Finish: Passivated stainless steel body and connectors.

## SMP Full Detent Male • 0.5 Watt DC – 18 GHz



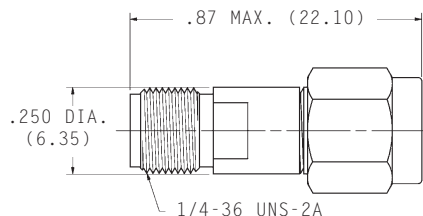
- 0.4 Watt @ +25°C derated linearly to 0.25 Watt @ +125°C (100 Watts peak power)
- Available in 0.5 dB increments from 0.5 to 20 dB
- VSWR: 1.20:1 max. DC – 4 GHz  
1.35:1 max. 4 – 12.4 GHz  
1.50:1 max. 12.4 – 18 GHz

Part Number	dB Value	Attenuation Accuracy
<b>SF0912-6305-03</b>	3	±0.3 dB
<b>SF0912-6305-06</b>	6	±0.3 dB
<b>SF0912-6305-10</b>	10	±0.5 dB
<b>SF0912-6305-20</b>	20	±1.0 dB

Finish: Passivated stainless steel body and sleeves.

## 2.4mm • 0.5 Watt • DC – 50 GHz

- 0.5 Watts @ +25°C derated linearly to 0.25 Watt @ +125°C (100 Watts peak power)
- Additional attenuation values available
- Plug-to-plug and jack-to-jack also available



Part Number	dB Value	Attenuation Accuracy			VSWR		
		DC – 26.5	26.5 – 40	40 – 50	DC – 26.5	26.5 – 40	40 – 50
<b>SF0916-6200-03</b>	3	±0.5 dB	±1.0 dB	1.5dB	1.35:1 max.	1.50:1 max.	1.65:1 max.
<b>SF0916-6200-06</b>	6						
<b>SF0916-6200-10</b>	10						
<b>SF0916-6200-20</b>	20	±0.75 dB	±1.25 dB	±2.0 dB			

Finish: Passivated stainless steel body and connectors.