

### NEW! AN260xxA Series

#### SiGeC Bi-CMOS Monolithic IC, Low Noise Amplifiers

#### Featuring Low Noise and Low Power Consumption

Panasonic, a worldwide leader in Semiconductor Products, is pleased to announce the **NEW AN260xxA Series** Low Noise Amplifiers. Using a 0.18u SiGeC Bi-CMOS process, high frequency performance is achieved with low noise and low power consumption. Utilizing an ultra-small package, the **NEW AN260xxA Series** facilitates design miniaturization in applications for smart phones, mobile DTV, GPS, WiFi, WiMAX, and WLAN among others. The **NEW AN260xxA Series** has a wide frequency range from 40MHz to 5GHz to satisfy the needs of different applications and offers two packaging types, the ultra small WLCSP PKG and the small SSMINI-5 PKG.

#### Features:

- Ultra Small WLCSP PKG:  
0.56mm x 0.86mm x 0.4mm, for Module
- Small SSMINI-5 PKG:  
1.6mm x 1.6mm x 0.7mm, for on Board
- Applicable for Lower Supply Voltage: Vdd=1.8V
- Strengthen ESD Breakdown
- Wide Frequency Range LNA Line Up,  
from VHF / UHF to WiFi / WiMAX

#### Benefits:

- Minimize PCB Layout Area
- Low Noise & Low Current Consumption
- Improved Receiving Sensitivity
- Integrate External Components
- Contributes to Ease of Design

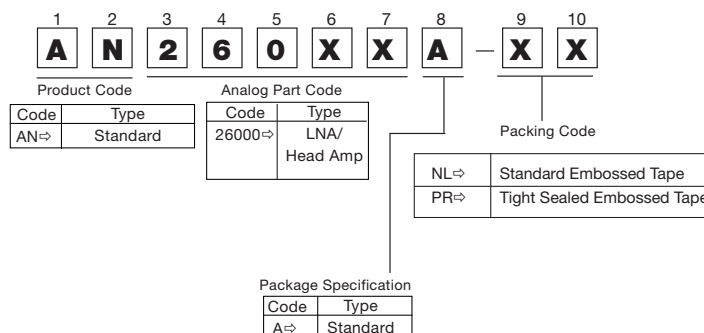
#### Industries:

- Smart Phone
- Tablet & PC
- Car Navigation
- DTV
- Blue Ray / DVD recorder
- Game
- Printer
- DSC

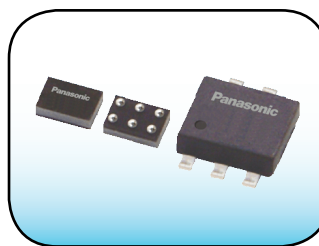
#### Applications:

- DTV Tuner
- WLAN /WiFi
- WiMAX
- GPS

#### Part Number Information:



#### Additional Information:



For detailed specification information on these SiGeC Bi-CMOS Monolithic IC Low Noise Amplifiers, visit: [panasonic.com/industrial/includes/zip/AN260xxA\\_DataSheet.zip](http://panasonic.com/industrial/includes/zip/AN260xxA_DataSheet.zip) today!

Website: [panasonic.com/industrial/semiconductors](http://panasonic.com/industrial/semiconductors)