

[Top Page](#) > [Products](#) > [Sensor](#) > [Magnetic Sensors](#)  
 > [HGP\\*D Series](#) > [HGPRDT001A](#)

[Dimensions](#) | [Packing Specifications](#) |

PRINT

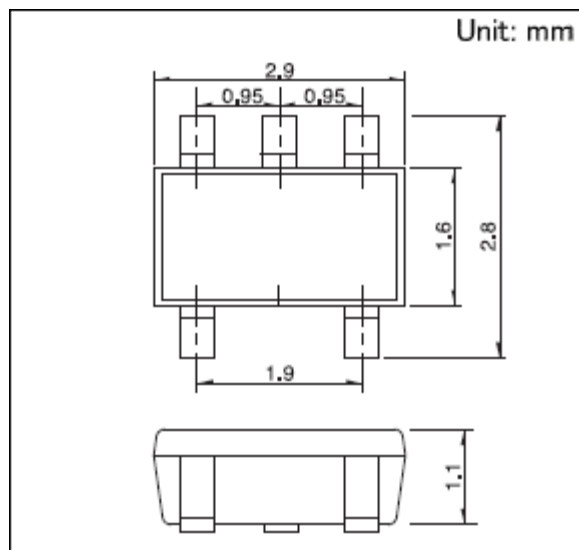
## Incremental Encode Output Type HGP\*D Series

### Detail

|                             |                                  |
|-----------------------------|----------------------------------|
| Part number                 | HGPRDT001A                       |
| Package specifications      | SOT23 type                       |
| Size                        | 2.9 × 2.8 × 1.1mm                |
| Function                    | 2-phase alternating output       |
| Operating magnetic field    | Hon: +1mT<br>Hoff: -1mT          |
| Drive voltage               | Typ. 12V<br>(3V min. to 30V max) |
| Current consumption         | 3mA Ave.<br>(at VDD=12V)         |
| Minimum order unit (pcs)    | 45,000                           |
| Operating temperature range | -40°C to +115°C                  |
| Sampling period             | 2 μ sec                          |
| 2-phase element interval    | Typ. 0.62mm                      |

TOP

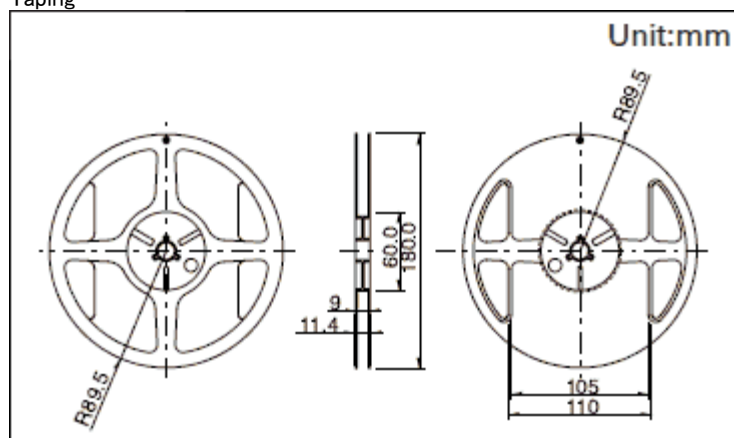
### Dimensions



[TOP](#)

● Packing Specifications

Taping



|                                  |                         |                 |
|----------------------------------|-------------------------|-----------------|
| Number of packages (pcs.)        | 1 reel                  | 3,000           |
|                                  | 1 case / Japan          | 3,000           |
|                                  | 1 case / export packing | 45,000          |
| Tape width (mm)                  |                         | 8               |
| Export package measurements (mm) |                         | 210 × 210 × 230 |

[TOP](#)

**NOTE**

Notes are common to this series/models.

1. This site catalog shows only outline specifications. When using the products, please obtain formal specifications for supply.
2. Place your purchase order in N minimum package units (N: integer).

**Inquiries about Products**

For more information please contact: Products Information Center.

1-7, Yukigaya-otsukamachi, Ota-ku, Tokyo, 145-8501, Japan

Phone: +81 (3) 5499-8154