

TX-Standard Description and Implementation Guideline

Concept

The TX embedded module integrates all the core components of a common PC and is mounted onto an application specific carrier board. TX modules have a standardized form factor of 67,6mm x 26mm, have specified pinouts and provide the functional requirements for an embedded application. These functions include, but are not limited to, graphics, network and multiple USB ports. A single ruggedized SO-DIMM connector provides the carrier board interface to carry all the I/O signals to and from the TX module. This SO-DIMM connector is a well known and proven high speed signal interface connector that is commonly used for memory cards in notebooks.

Carrier board designers can utilize as little or as many of the I/O interfaces as deemed necessary. The carrier board can therefore provide all the interface connectors required to attach the system to the application specific peripherals. This versatility allows the designer to create a dense and optimized package, which results in a more reliable product while simplifying system integration. Most importantly, TX applications are scalable, which means once a product has been developed, the product range can be diversified by using TX modules with a different performance class. Simply unplug one module and replace it with another, no redesign is necessary.

Disclaimer

The information contained within this Specification, including but not limited to any product specification, is subject to change without notice.

Ka-Ro electronics provides no warranty with regard to this Specification or any other information contained herein and hereby expressly disclaims any implied warranties of merchantability or fitness for any particular purpose with regard to any of the foregoing.

Intended Audience

This TX-Standard electromechanical description is intended for technically qualified personnel. It is not intended for general audiences.

Copyright Notice

Copyright © 2010, Ka-Ro electronics GmbH. All rights reserved. All text, pictures and graphics are protected by copyrights. No copying is permitted without written permission.

We have made every attempt to ensure that the information in this document is accurate yet the information contained within is supplied "as-is".

Trademarks

ARM ® is a registered trademark of ARM Limited.

All other brand and product names, trademarks, and copyrights are the property of their respective owners.

Acronyms and Abbreviations

Abbreviation	Explanation
100-Base-T	Ethernet type that uses 100 Mega bits per second speed on RJ45 connectors and twisted pair wiring
ARM	Advanced RISC Machines Limited CPU architecture
JTAG	Joint Test Action Group. This abbreviation is commonly used to refer to a test interface found on many modern integrated circuits. The JTAG test interface is a boundary scan register with serial interface and is described by an IEEE standard
GPIO	General Purpose Input/Output
LCD	Liquid Crystal Display
LED	Light Emitting Diode. An electronic component used as a visual indicator (light).
NC	Not connected
PCB	Printed Circuit Board
RAM	Random Access Memory
RoHS	Restriction on Hazardous Substances: The Directive on the Restriction of the Use of Certain Hazardous Substances in Electrical and Electronic Equipment 2002/95/EC.
UART	Universal Asynchronous Receiver/Transmitter
USB	Universal Serial Bus

Table of contents

1 Feature Overview.....	7
2 Connector Pin Assignments and Signal Descriptions.....	8
2.1 Power Supply.....	9
2.2 Reset & Bootmode.....	10
2.3 RTC & Power-Button.....	11
2.4 Ethernet Signals.....	12
2.4.1 Ethernet Physical Layer Layout Guidelines.....	12
2.4.2 Power and Ground Planes.....	13
2.4.3 4 Layer Stackup.....	13
2.4.4 2 Layer Stackup.....	13
2.4.5 Component Placement.....	14
2.4.6 Design Techniques for EMI Suppression.....	14
2.4.7 Controlled Impedance for Differential Signals.....	16
2.4.8 Magnetics Module.....	17
2.5 USB.....	18
2.5.1 USB Physical Layer Layout Guidelines.....	18
2.5.2 Controlled Impedance for USB Traces.....	18
2.5.3 Isolation of DP/DM Traces.....	19
2.5.4 Isolated shielding on the USB connector.....	20
2.5.5 Optional VBUS protection.....	21
2.5.6 USB recommendations.....	22
2.6 I2C.....	23
2.6.1 Example I2C Voltage Level Translator (TX27 and TX51 only).....	24
2.6.1 I2C recommendations.....	25
2.7 PWM / 1-WIRE.....	26
2.8 CSPI – Configurable Serial Peripheral Interface.....	27
2.9 SDIO Interfaces.....	28
2.9.1 SD-Card example diagram using level shifters.....	29
2.9.2 SD-Card example diagram only for 3.3V modules.....	29
2.10 UARTs.....	30
2.10.1 UART Example diagram.....	30
2.11 Keypad Interface.....	31
2.12 Digital Audio Ports.....	32
2.13 CMOS Sensor Interface.....	33
2.14 Extended and 2nd CMOS Sensor Interface (TX51, TX53 and TX6 only).....	33
2.15 LCD Interface.....	34
2.16 LVDS/SATA option (TX53, TX6 only).....	35
2.16.1 LVDS pin mapping.....	35
2.16.2 LVDS recommendations.....	35
2.16.3 SATA pin mapping.....	35
2.16.4 SATA recommendations.....	35
2.17 CAN Interface.....	36
2.18 2nd Ethernet RMI (TX28 only).....	37
2.19 TV out (TX51, TX53 only).....	38
2.19.1 TV Encoder Recommendations.....	38
2.20 PCI express (TX6 only).....	39
2.20.1 PCI Express interface recommendations.....	39

2.20.1.1 PCI Express general routing guidelines.....	39
2.20.1.2 PCI Express coupling lane.....	39
2.20.2 PCIe recommendations.....	39
2.21 GPIO and module specific signals.....	40
3 Optional Debugging Connector.....	41
3.1 Debug Connector Signal Assignment.....	41
3.2 Debug connector location.....	42
4 Mechanical.....	43
4.1 TX module outline.....	43
4.2 SO-DIMM connector.....	44
4.3 DIMM Connector PCB Layout example.....	45
4.4 TX Fastener Kit.....	46
4.5 TX Heatsink Kit (17 K/W).....	47
4.5.1 Standard extruded heatsink – SK 473 – length 68mm.....	48
4.5.2 Heat conductive gel foil – GEL 10.....	48
4.6 TX Heatsink Kit (7 K/W).....	49
4.6.1 Standard extruded heatsink – SK 560 – length 68mm.....	50
4.6.2 Heat conductive gel foil – GEL 27 S 25.....	50
5 Document Revision history.....	51

1 Feature Overview

TX modules offers the newest I/O technologies on a minimum size form factor. This includes serial high speed buses such as:

- Ethernet
- USB
- SD - Secure Digital Card
- SPI - Serial Peripheral Interface

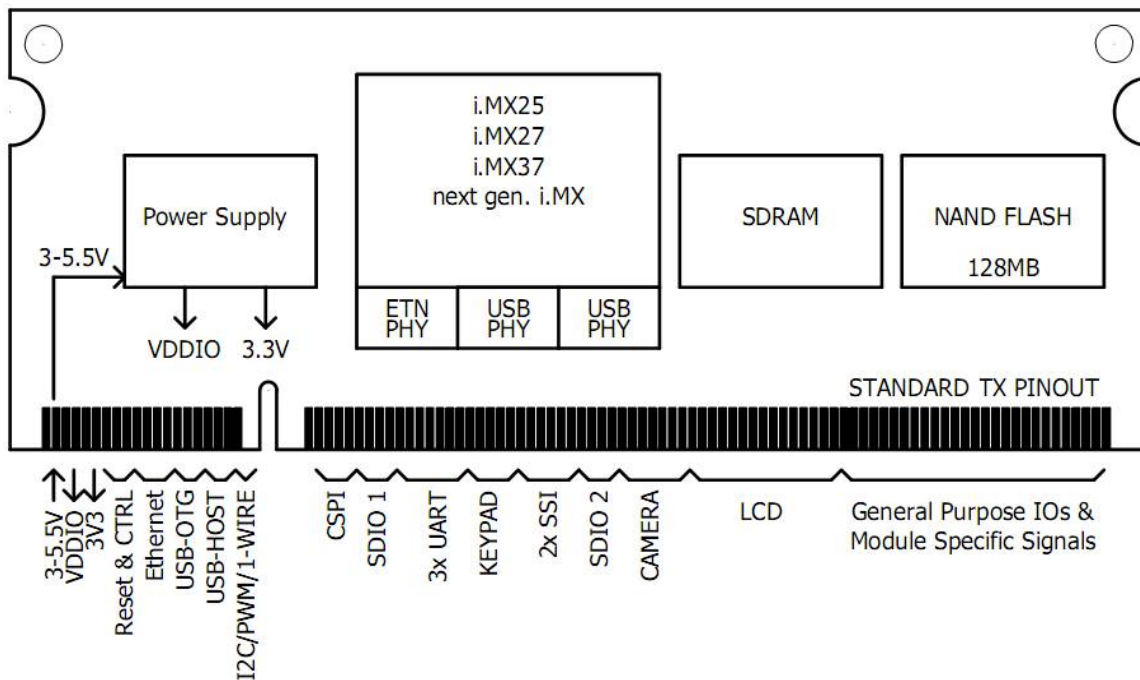
Multimedia interfaces

- CMOS Sensor Interface
- LCD True Color Display Interface (24bpp)

Other Standard Interfaces

- UART - Universal Asynchronous Receiver/Transmitters
- I2C - Inter-Integrated Circuit
- PWM - Pulse-Width Modulator
- 1-WIRE Interface

Plus additional control and power management signals. The versatile power supply outputs can also be used for the baseboard and defines the IO voltage used for the module. 1.8V and 3.3V IO voltage modules can be used on universal baseboards like the Starterkit V without the need for any change on the baseboard or jumper setting.



2 Connector Pin Assignments and Signal Descriptions

Signal names beginning with a “#” symbol indicates that the active, or asserted state, occurs when the signal is at a low voltage level. When “#” is not present, the signal is asserted when at a high voltage level. Differential pairs are indicated by trailing 'P' and 'N' for the positive or negative signal.

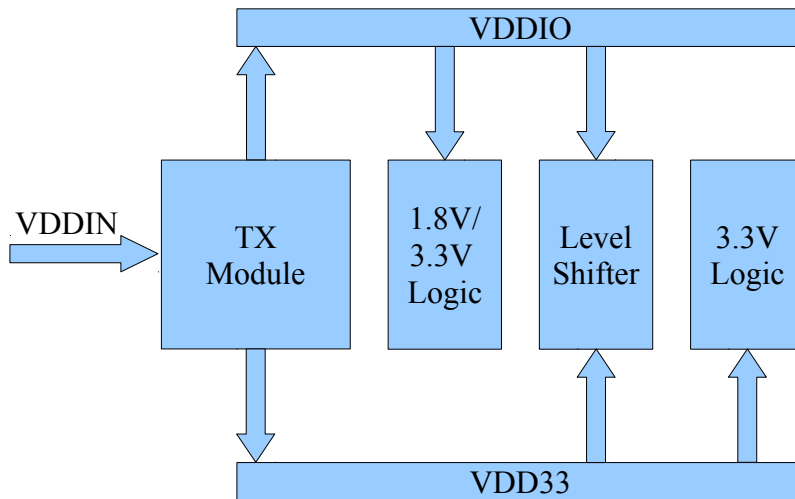
The following terminology is used to describe columns for the tables located below.

Term	Description
I	Input
O	Output
I/O	Bi-directional Input/Output Pin
VDDIO	I/O type depends on the VDDIO voltage of the module
3V3	I/O type: CMOS 3.3V
5V	I/O type: CMOS 3.3V to 5V
power	Power supply pin
USB	Universal Serial Bus differential pair signals In compliance with the Universal Serial Bus Specification 2.0
ETN	Ethernet Media Dependent Interface differential pair signals. In compliance with IEEE 802.3ab 100Base-T Ethernet Specification.
NC	Not Connected
PU	Pull-up resistor

2.1 Power Supply

Pin	Signal	Description	type	I/O		
1-4	VDDIN	Module power supply input (observe DIMM socket contact current rating)	power	I		
5-7	VDDIO	1.8V or 3.3V I/O power supply output This output can be used for the module side supply of level shifters or for peripherals which are operated at the VDDIO voltage level.	power	O		
		Module			Remark	
		TX27			VDDIO=1.8V	max. 900mA
		TX51				max. 200mA
		TX28S			VDDIO=3.3V	max. 20mA
TX25, TX28	max. 200mA					
TX48, TX53, TX6	max. 900mA					
9-12	VDD33	+3.3V Power supply output	power	O		
		Module			Remark	
		TX27			max. 1A	
		TX51				
TX25, TX28, TX48, TX53, TX6	VDDIO and VDD33 are connected on the module. Refer to ratings above.					
18,26,32,39,50,58,71,82,88,94,102,111,116,129,142,147,160,171,200	GND					

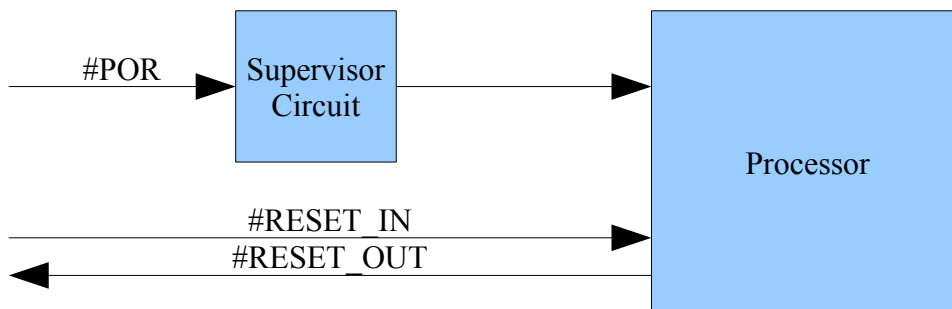
TX modules operates on a single 3.3V to 5.5V supply and provide regulated power supply outputs to the baseboard.



The use of level shifters on the baseboard to interface to 3.3V logic allows for universal module selection, because the voltage is automatically translated between VDDIO (1.8V or 3.3V) and VDD33 (3.3V) levels. Level shifters can be omitted on 3.3V only modules like the TX25, but in that case it's not possible to use 1.8V modules anymore.

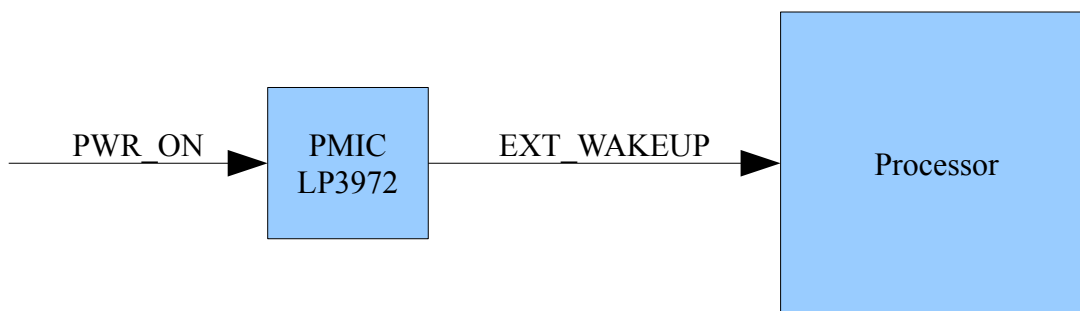
2.2 Reset & Bootmode

Pin	Signal	Description	type	I/O
8	BOOTMODE	System Boot Mode Select - The operational system boot mode of the module upon system reset is determined by the settings of this pin. BOOTMODE=H: Boot from NAND / L: Boot from UART/USB Leave open or connect to VDDIO if not used.	VDDIO PU	I
		Module Remark		
		TX28 Depending on BOOTMODE external pull-up/-down resistors are selected on LCD interface signals LD0..LD5 and LCD_RS (pin 146). Refer to the TX28 datasheet for resistor values and level needed at startup!		
15	#RESET_OUT	Reset Out – Reset carrier board peripherals #RESET_OUT may be used to reset peripherals on the carrier board. Depending on the module type this signal might be asserted automatically by a system reset, but can be controller by a GPIO function during runtime on all modules.	VDDIO	O
16	#POR	Power On Reset - active low input signal. Typically a push button reset, pull low to force a reset. A supervisor circuit is used on the TX module to monitor the power supply. This device assert a processor system reset (POR_B) if the power supply falls outside the programmed threshold or a manual reset (#POR) is asserted externally. Connect to VIN or leave open if not used.	5V PU	I
		Module Remark		
		TX28 The i.MX28 power-on reset is generated internally. If low the module power supply is disconnected. TX28S Not connected		
17	#RESET_IN	Master Reset - external active low Schmitt trigger input signal. When this signal goes active, all modules (except the reset module, SDRAMC module, and the clock control module) are reset. The behaviour might depend on the processor, please refer to the processor reference manual for details. #RESET_IN is directly connected to the processors RESET_B pin. Pull or connect to VDDIO if not used.	VDDIO	I



2.3 RTC & Power-Button

Pin	Signal	Description	type	I/O	
13	VBACKUP	DS1339 RTC backup power supply. Supply voltage must be held between 1.3V and 3.7V for proper RTC operation. This pin can be connected to a primary cell such as a lithium button cell. Additionally, this pin can be connected to a rechargeable cell or a super cap when used with the trickle charge feature. Refer to DS1339 datasheet for details.	power	I	
		Module			Remark
		TX25			Connected to BAT_VDD DRYICE backup power supply input, max. 1.55V The i.MX25 internal RTC is not supported
14	PMIC_PWR_ON	PMIC dependent Function. Leave unconnected if not used.		I	
		Module			Remark
		TX25			No PMIC onboard - Not connected
		TX28			PSWITCH - Used for chip power on or recovery. PSWITCH is at MID level by default. Refer to i.MX28 reference manual for details.
		TX27, TX51			This is an active high push button input which can be used to signal PWR_ON and PWR_OFF events to the CPU by controlling the PMIC EXT_WAKEUP. Refer to LP3972 datasheet, page 49 for details.
		TX48, TX53			Connected to LTC3589 WAKE. To power down, drive this pin LOW. Refer to LTC3589 datasheet, page 29 for details.
TX6	Connected to LTC3676 ON. Refer to LTC3676 datasheet for details.				



2.4 Ethernet Signals

Pin	Signal	Description	type	I/O
19	ETN_TXN	100Base-TX or 10Base-T differential transmit output to magnetics.	ETN	O
21	ETN_TXP			
20	#ETN_LINKLED	Active low LINK ON indication: Active indicates that the link is on.	3V3	O
		<table border="1"> <thead> <tr> <th>Module</th> <th>Remark</th> </tr> </thead> <tbody> <tr> <td>TX28, TX48, TX53, TX6</td> <td>Output is driven active when the operating speed is 100Mbps. This LED will go inactive when the operating speed is 10Mbps or during line isolation.</td> </tr> </tbody> </table>		
Module	Remark			
TX28, TX48, TX53, TX6	Output is driven active when the operating speed is 100Mbps. This LED will go inactive when the operating speed is 10Mbps or during line isolation.			
22	ETN_3V3	+3.3V analogue power supply output to magnetics. This power supply can be turned off on the module to reduce the power consumption in the case Ethernet is not needed.	power	O
23	ETN_RXN	100Base-TX or 10Base-T differential receive input from magnetics.	ETN	I
25	ETN_RXP			
24	#ETN_ACTLED	Active low ACTIVITY indication: Active indicates that there is Carrier sense (CRS) from the active PMD.	3V3	O
		<table border="1"> <thead> <tr> <th>Module</th> <th>Remark</th> </tr> </thead> <tbody> <tr> <td>TX28, TX48, TX53, TX6</td> <td>Output is driven active whenever the device detects a valid link, and blinks indicating activity.</td> </tr> </tbody> </table>		
Module	Remark			
TX28, TX48, TX53, TX6	Output is driven active whenever the device detects a valid link, and blinks indicating activity.			

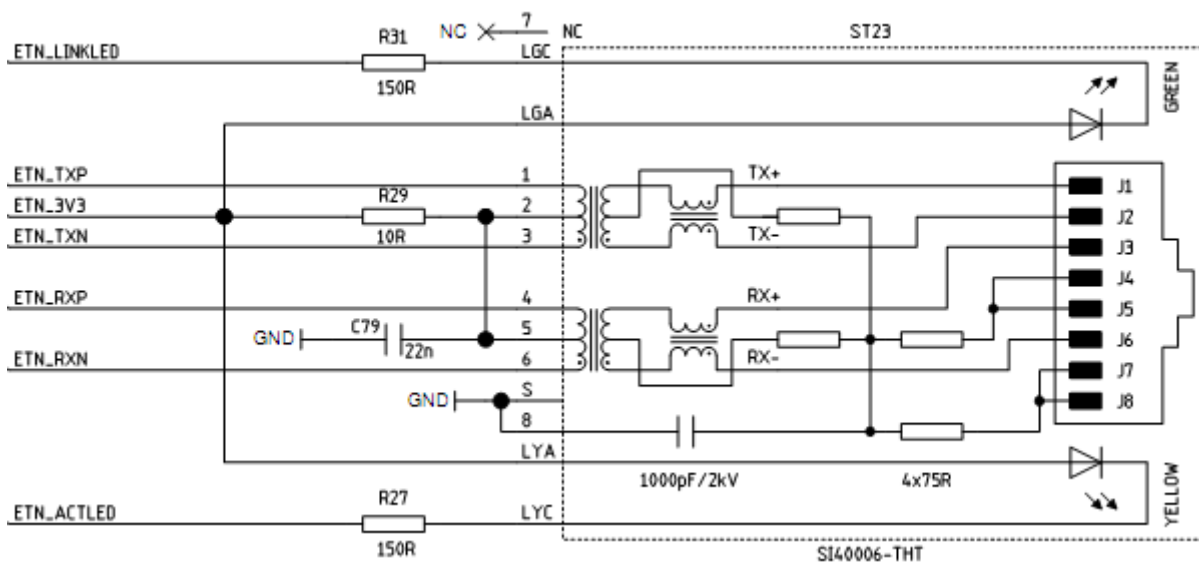


Abbildung 2.1: Ethernet Sample Diagram

2.4.1 Ethernet Physical Layer Layout Guidelines

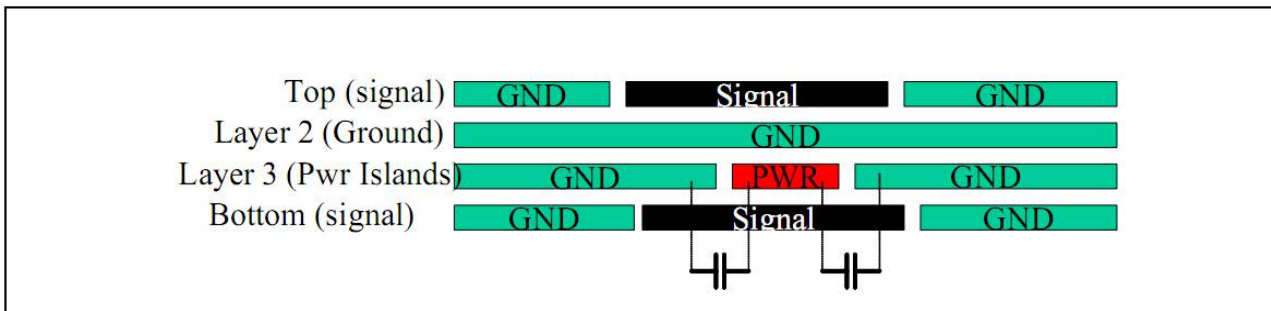
TX modules are designed for 10 or 100 Mbps Ethernet systems. They are based on IEEE 10BASE-T and 100BASE-TX standards. The IEEE 802.3-2005 standard for 100BASE-TX defines networking over two pairs of Category 5 unshielded twisted pair cable or Type 1 shielded twisted pair cable. The following recommendations for the printed circuit board layout are not the only way to layout TX modules. Every board designer will have a preference. Complexity, board space, number and types of devices will dictate routing and placement strategies.

2.4.2 Power and Ground Planes

The sections below describe typical 2 and 4 layer board stackups. The goal of the 4 layer designs is to keep the signal routing on outer layers, isolated by the power and ground planes. These power and ground planes also serve the purpose of reference planes for the signal traces. The signal traces should run over continuous reference planes when possible. When 2 layer board designs are required, it remains necessary that the signal traces run over continuous reference planes when possible.

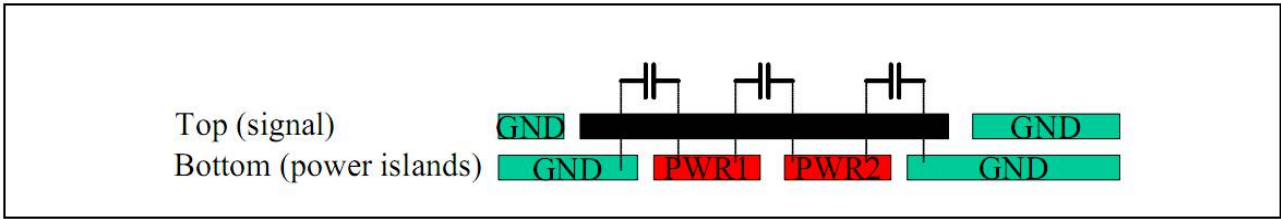
2.4.3 4 Layer Stackup

- TOP (Layer 1) – Signal with ground plane except where noted.
- Layer 2 – Continuous ground plane. No signals should be routed on this layer.
- Layer 3 – Power planes with ground planes except where noted. Signals may be routed on this layer if needed.
- Bottom (Layer 4) – Signal with ground plane except where noted.
- Decouple ground floods and ground layer as practical. When signal traces are re-referenced to power island planes, decoupling capacitors (10nF ceramic) are required between the ground plane and power plane.
- Signal traces routed on bottom layer over power islands that are on Layer 3 layer should have decoupling capacitors (10nF ceramic) near the trace to enable short (direct) return current paths.
- When signal traces are re-referenced to power island planes, decoupling capacitors (10nF ceramic) are required between the ground plane and power plane as shown below.



2.4.4 2 Layer Stackup

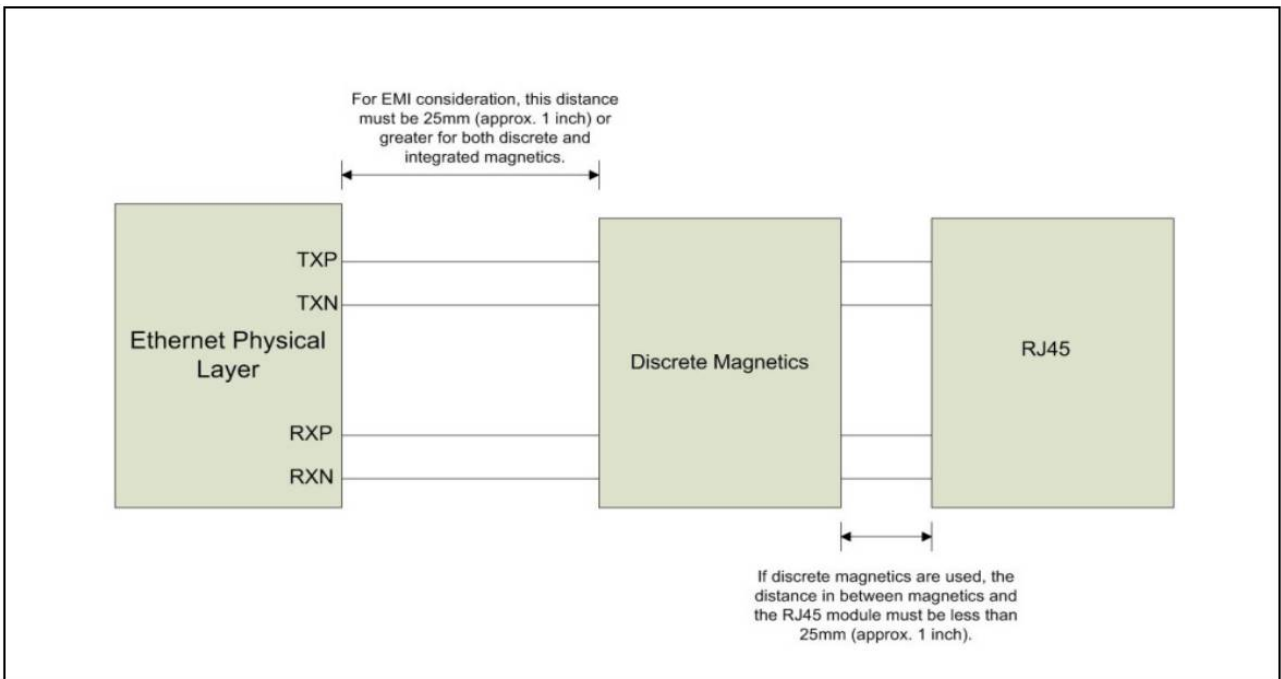
- TOP (Layer 1) – Signal with ground plane except where noted.
 - Bottom (Layer 1) – Ground plane and power islands. A limited number of slow speed signals may be routed on the bottom layer.
 - Signal traces should be surrounded by ground or ground trace along at least one edge. If ground trace is used, it should be connected to ground plane on this layer and decoupled to ground plane on top layer.
- Decouple ground planes as practical, as shown below. This will allow short (direct) return current paths when signal traces are re-referenced to different power island planes.



2.4.5 Component Placement

Component placement can affect signal quality, emissions, and component operating temperature. Careful component placement can decrease potential EMI problems and simplify the task of routing traces.

- If the magnetic is a discrete component, then the distance between the magnetic and the RJ-45 needs to have the highest consideration and be kept to under 25mm (approx. 1 inch) of separation.
- The distance between the SO-DIMM socket and the magnetics needs to be 20mm or greater. Among PHY vendors, the 25mm (approx. 1 inch) rule is considered good design practice for EMI considerations. The intention is to isolate the PHY from the magnetics.

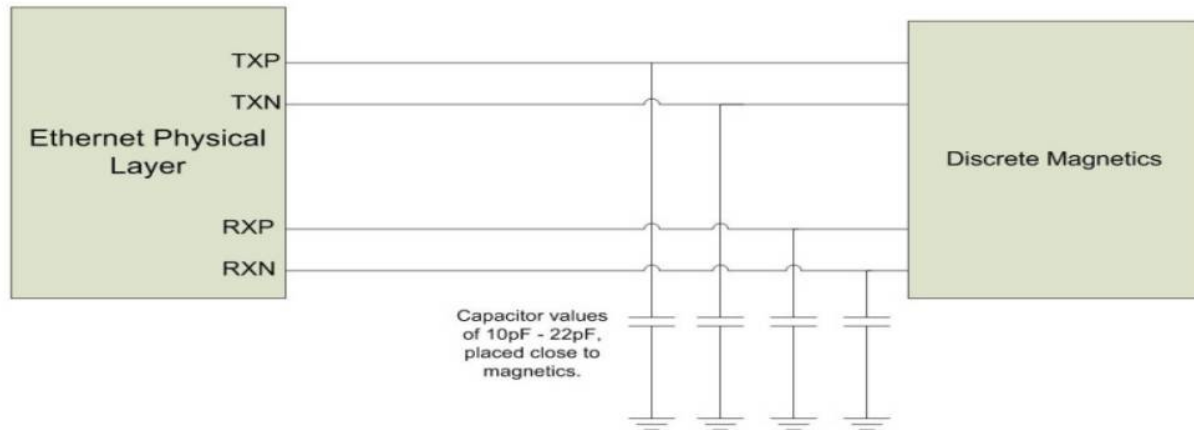


2.4.6 Design Techniques for EMI Suppression

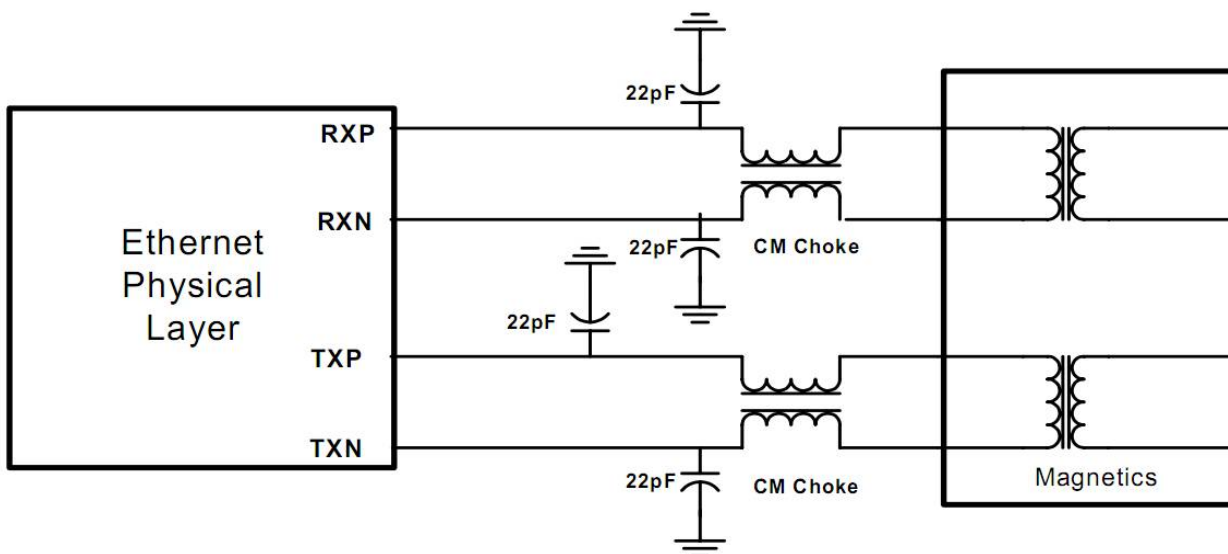
The following techniques may improve EMI margin.

- Common mode capacitors may be added to the TX+/- and RX+/- signals for high frequency attenuation , as shown below. One end of each capacitor should be connected to the system

ground plane, and placed within 10mm (approx. 400mils) of the magnetics. Typical capacitance values should be between 10pF and 22pF. Values higher than 22pF may negatively impact the TX and RX signalling.

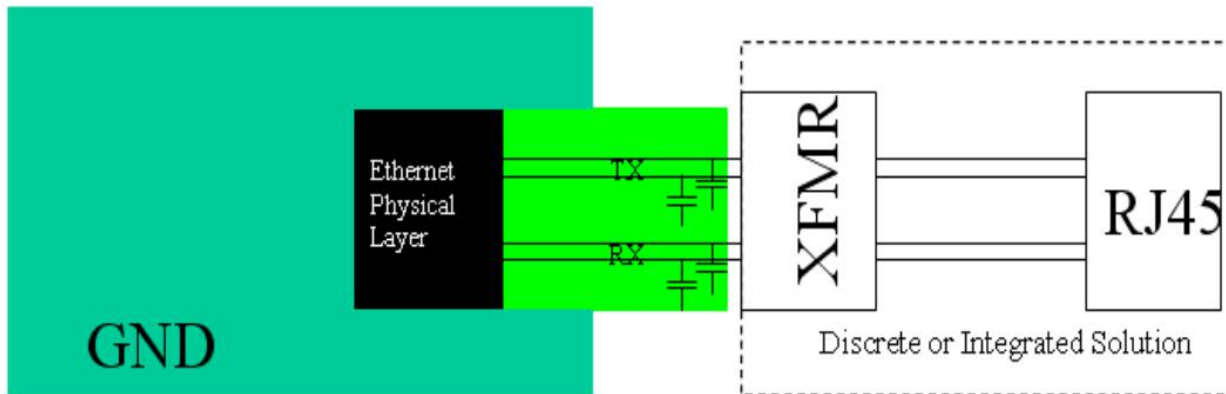


- Common mode chokes may be added to the TX and RX differential pairs as shown below. The common mode chokes should be placed within 10mm (approx. 400mils) of the integrated RJ45 module, and on the magnetics side of the common mode EMI suppression capacitors. Typical common mode impedance of the common mode choke selected should be $2k\Omega@100MHz$ or higher.



- In general, no ground plane should extend under the TX and RX differential pairs, under the magnetics, or under the RJ45 jack. In the case where common mode capacitors used for EMI suppression, a ground plane may be located under the TX and RX signals, however the plane must not exceed beyond the capacitors. When designing 4 layer boards, the ground plane should exist on layer 4, assuming the differential pair is routed on layer 1. On 2 layer boards, the ground plane can be located on layer 2, the adjacent layer to the TX and RX signal pairs. Under no circumstances should a ground plane exist under the magnetics, the RJ45 connector or in between the magnetics and RJ45 connector.

2.4.7 Controlled Impedance for Differential Signals



The 802.3-2005 specifications requires the TX and RX lines to run in differential mode. The TXP and TXN are a differential pair and need to be designed to a 100 ohm differential impedance. The RXP and RXN traces are also a differential pairs and need to be designed to a 100 ohm differential impedance target.

The board designer must maintain 100 ohm differential impedance in the layout for all differential pairs. For differential dielectric thickness, copper weight or board stack-up, trace width and spacings will need to be calculated.

Differential pair nets must maintain symmetry. TXP and TXN must be equal length and symmetric with regards of shape, length, and via count. RXP and RXN must also be equal length and symmetric.

Isolation of TX/RX traces. The TX/RX traces must be isolated from nearby circuitry and signals. Maintain a distance of parts to lines that are greater than or equal to 5 times the distance of the spacing between the traces. Do not route differential pairs under parts. Do not cross TX/RX lines with other PCB traces unless the traces are on the opposite side of the ground plane from TX/RX.

2.4.8 Magnetics Module

The magnetics module has a critical effect on overall IEEE and emissions conformance. The device should meet the performance required for a design with reasonable margin to allow manufacturing variation. Occasionally, components that meet basic specifications may cause the system to fail IEEE testing, because of interactions with other components or the Printed Circuit Board itself. Carefully qualifying new magnetics modules can go a long way toward preventing this type of problem.

Suggested magnetics have not been tested in order to verify proper operation. This category of magnetic has been evaluated by the contents of the vendor supplied data sheet and legacy performance only. However, the designer can assume with some degree of confidence, that with proper PCB design techniques, the magnetics presented as suggested magnetics will perform to high standards.

Qualified magnetics have been tested by the PHY vendor in order to verify proper operation. The designer can assume with a high degree of confidence, that with proper PCB design techniques, the qualified magnetics perform to the highest standards.

Vendor	Part Number	Package	Temp	Status
Pulse	H1102	16-pin SOIC	0°..+70°C	Qualified
Halo	TG110-RP55N5	16-pin SOIC	0°..+70°C	Qualified
Halo	HFJ11-RP26E-L12RL	Integrated RJ45	0°..+70°C	Qualified
Delta	RJSE1R5310A	Integrated RJ45	0°..+70°C	Qualified
Pulse	J0011D01B	Integrated RJ45	0°..+70°C	Suggested
Bothhand	TS6121C	16-pin SOIC	0°..+70°C	Suggested
Bothhand	LU1S041X-43	Integrated RJ45	0°..+70°C	Suggested
Pulse	HX1102	16-pin SOIC	-40°..+85°C	Qualified
Halo	TG110-RPE5N5	16-pin SOIC	-40°..+85°C	Qualified
Halo	HFJ11-RPE26E-L12RL	Integrated RJ45	-40°..+85°C	Qualified
TDK	TLA-6T717W	Integrated RJ45	-40°..+85°C	Qualified
Delta	LFE8505T	16-pin SOIC	-40°..+85°C	Qualified
Midcom	000-7090-37R	16-pin SOIC	-40°..+85°C	Suggested
Midcom	MIC66211-5171T-LF3	Integrated RJ45	-40°..+85°C	Suggested
Elec & Eltek	820-M0323R	16-pin SOIC	-40°..+85°C	Suggested
Midcom / Würth-Elektronik	MIC24013-5101T-LF3 749 901 121 11	Integrated RJ45	0°..+70°C	Used on Starterkit 5
Bel Stewart	SI-60005-F	Integrated RJ45	N/A	

2.5 USB

Pin	Signal	Description	type	I/O	
27	USBH_VBUSEN	This pin is used to enable the external VBUS power supply.	3V3	O	
34	USBOTG_VBUSEN				
28	#USBH_OC	Active low over-current indicator input connected to a GPIO. This signal can be used as an input only.	3V3	I	
36	#USBOTG_OC				
30 38	USBH_VBUS USBOTG_VBUS	VBUS pin of the USB cable. This pin is used for the VBUS comparator inputs.	5V	I	
		Module			Remark
		TX25			USBH_VBUS / USBOTG_VBUS unused / Not connected
		TX28	USBH_VBUS unused / Not connected		
31 29	USBH_DP USBH_DM	USB Host port differential data signal	USB	I/O	
37 35	USBOTG_DP USBOTG_DM	USB OTG port differential data signal	USB	I/O	
33	USBOTG_ID	ID pin of the USB cable. For an A-Device ID is grounded. For a B-Device ID is floated.	5V	I	
Module		Remark			
TX25/TX28/TX48/TX53/TX6		USBOTG_VBUSEN, USBOTG_OC are also used for the 2 nd CAN interface. In that case the VBUSEN/OC functionality may be omitted or other GPIO's may be used instead.			

2.5.1 USB Physical Layer Layout Guidelines

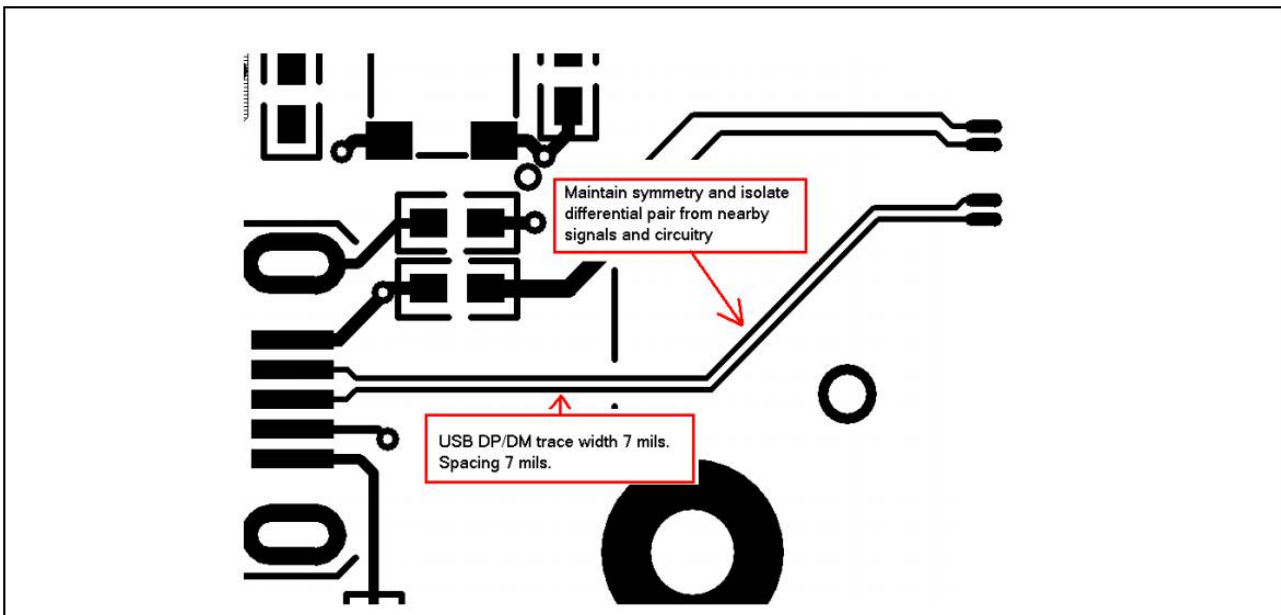
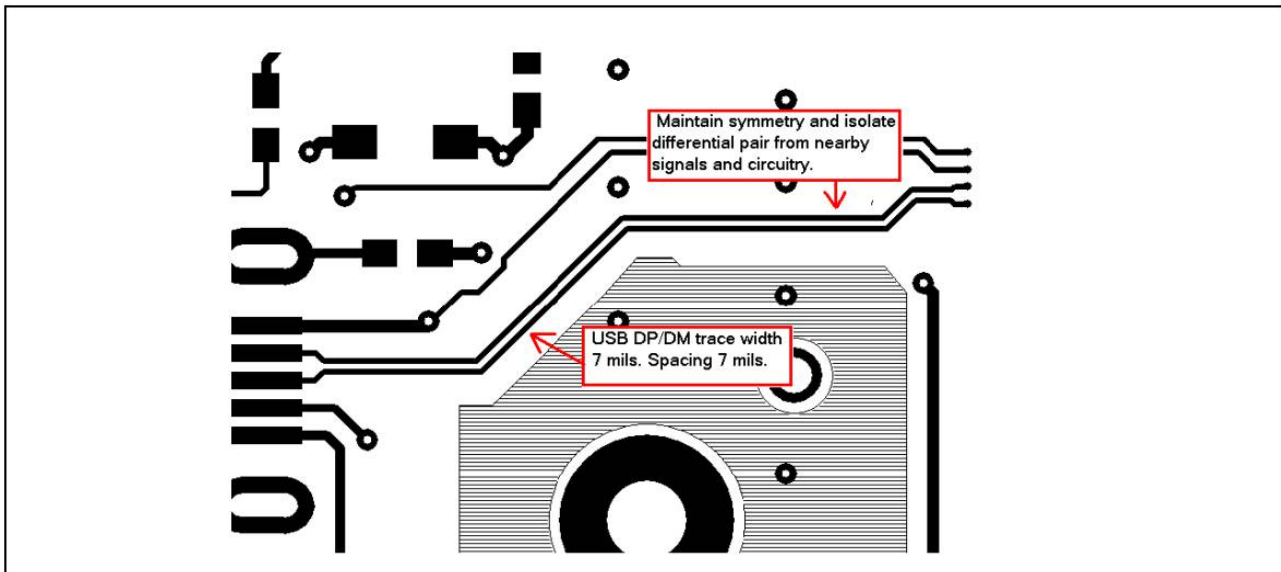
The TX modules includes the physical layer interface (PHY) for systems using Hi-Speed USB. Proper design techniques must be used in printed circuit board (PCB) layout to maintain the signal integrity required for 480 Mbps operation.

2.5.2 Controlled Impedance for USB Traces

the USB 2.0 specification requires that the USB DP/DM traces maintain a nominal 90 Ohms +/- 15% differential impedance (see USB specification Rev. 2.0, paragraph 7.1.1.3 for more details). In the example design the traces are 7 mil (175um) wide with line spacing of 7 mils. These numbers are derived for 5 mil (125um) distance from ground reference plane. A continuous ground plane is required directly beneath the DP/DM traces and extending at least 5 times the spacing width to either side of DP/DM lines.

Maintain symmetry between DP/DM lines in regards to shape and length.

Single sided impedance is not as critical as differential impedance. A range of 42 to 78 Ohms is acceptable (equivalently, common mode impedance must be between 21 Ohms and 39 Ohms).

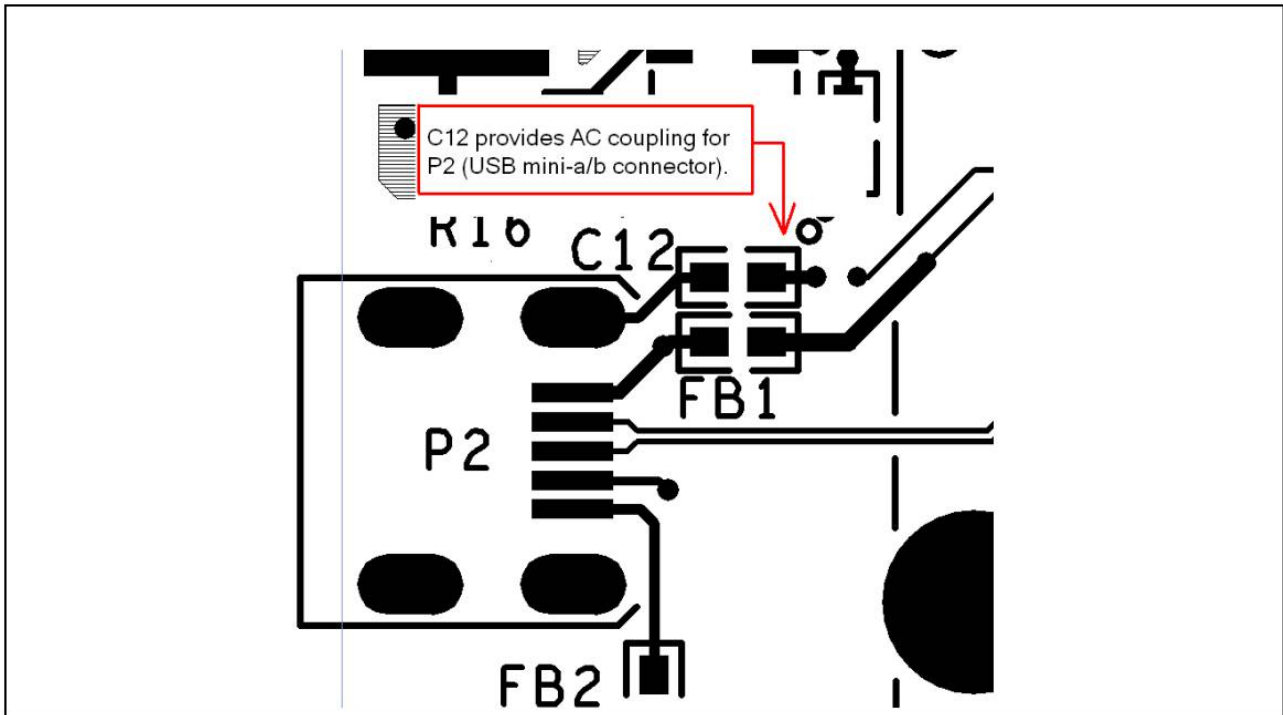


The figures show DP/DM traces with approximately equal trace length and symmetry. It is important to maintain a conductor width and spacing that provides differential and common mode impedance compliant with the USB specification. Use 45 degree turns to minimize impedance discontinuities.

2.5.3 Isolation of DP/DM Traces

The DP/DM lines must be isolated from nearby circuits and signals. Maintain a distance of components to lines that is greater or equal to 5 times the distance of the spacing between the traces. Do not route differential pairs under components. Do not cross DP/DM lines with other PCB traces unless the traces are on the opposite side of the ground plane from DP/DM. Route DP/DM over solid ground plane with no ground plane splits under the traces.

2.5.4 Isolated shielding on the USB connector



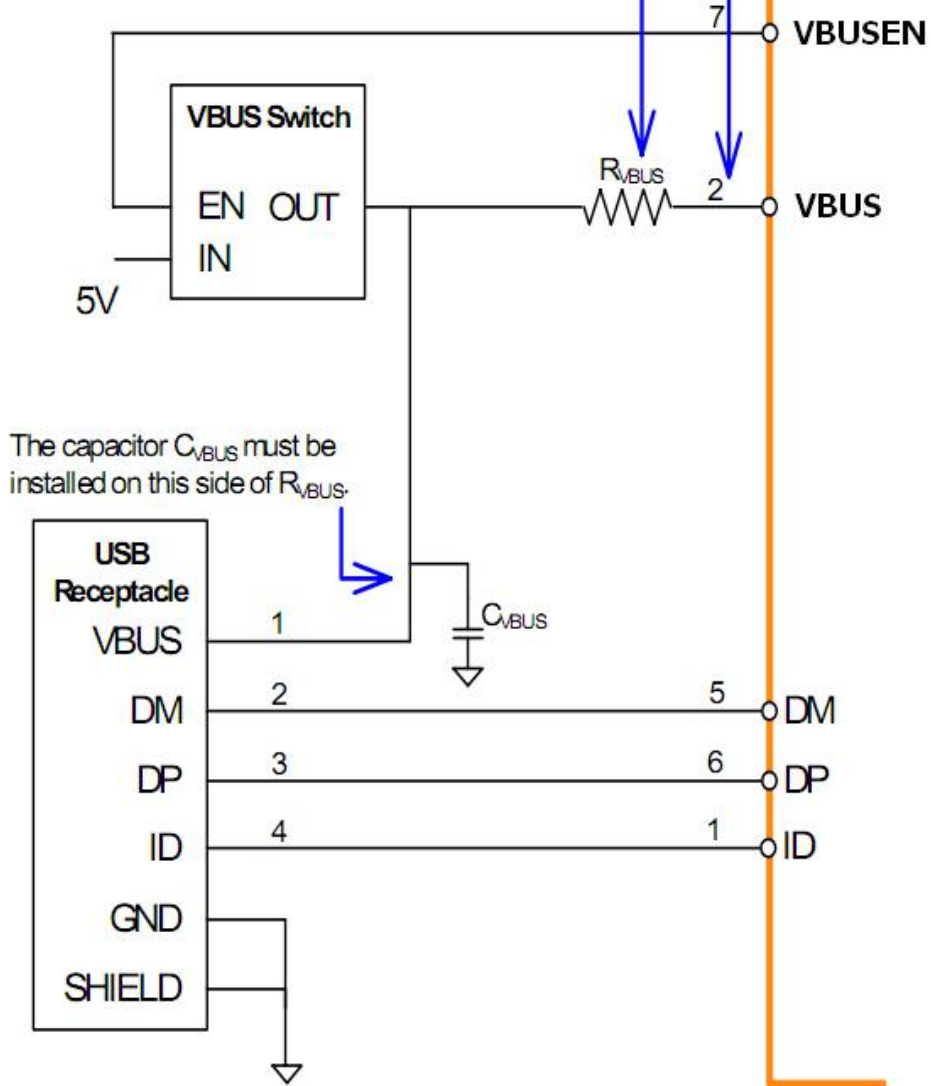
The figure shows the Mini-AB connector housing is isolated but AC coupled to the device ground. Industry convention is to ground only the host side of the cable shield. This is done to provide cable shielding while preventing possible ground currents from flowing in the USB cable if there happens to be a potential difference between the host and device grounds. If DC grounding is required replace C12 with a zero Ohms resistor.

In OTG applications the shield may be DC grounded at both ends of the cable.

2.5.5 Optional VBUS protection

Steady state voltage at the **VBUS** pin must not be allowed to exceed V_{VMAX} .

R_{VBUS} may be installed in this configuration to assist in protecting the **VBUS** pin. 820 Ohms will protect against VBUS transients up to 8.5V.



The capacitor C_{VBUS} must be installed on this side of R_{VBUS} .

2.5.6 USB recommendations¹

In summary use the following recommendations for the USB.

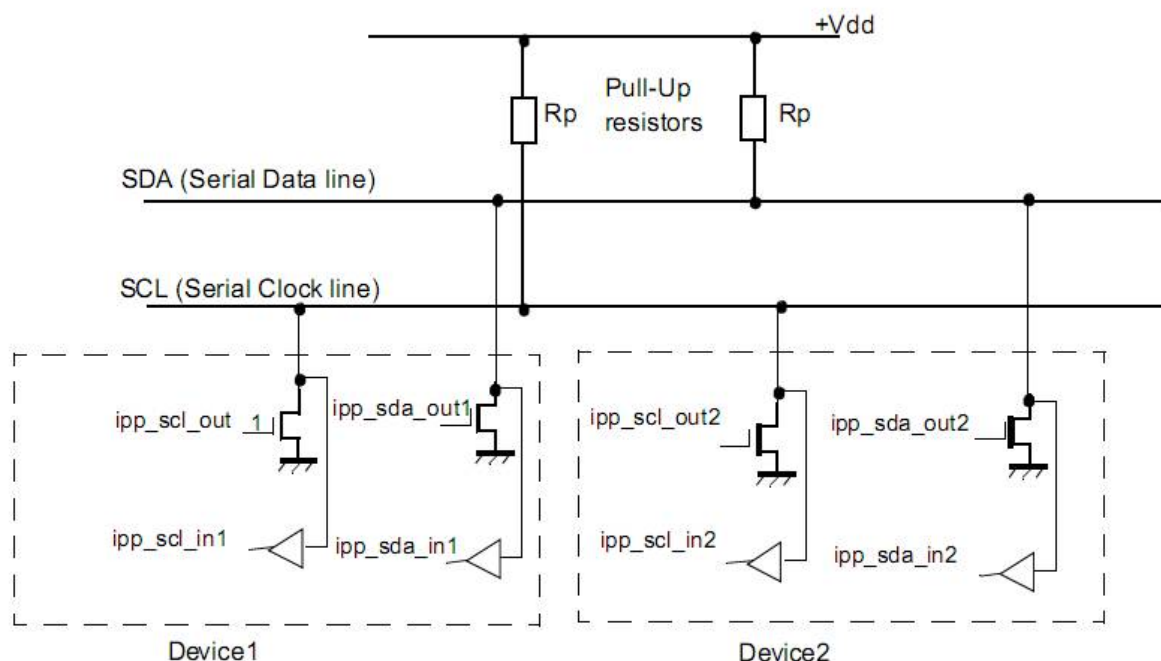
- Route DP and DM signals on the top or bottom layer of the board
- The trace width and spacing of the DP and DM signals should be such that the differential impedance is 90 Ω .
- Route traces over continuous planes (power and ground).
 - They should not pass over any power/GND plane slots or anti-etch.
 - When placing connectors, make sure the ground plane clearouts around each pin have ground continuity between all pins.
- Maintain the parallelism (skew matched) between DP and DM; these traces should be the same overall length.
- Do not route DP and DM traces under oscillators or parallel to clock traces and/or data buses.
- Minimize the lengths of high speed signals that run parallel to the DP and DM pair.
- Keep DP and DM traces as short as possible.
- Route DP and DM signals with a minimum amount of corners. Use 45-degree turns instead of 90-degree turns.
- Avoid layer changes (vias) on Dm and Dp signals. Do not create stubs or branches.

¹ Freescale Hardware Development Guide for i.MX 6Quad, 6Dual, 6DualLite, 6Solo Families of Applications Processors, Chap. 2.11

2.6 I2C

Pin	Signal	Description	type	I/O	
40	I2C_DATA	I2C Data	VDDIO	I/O	
41	I2C_CLK	I2C Clock	VDDIO	O	
Module		Devices connected to this I2C bus			
TX25, TX27, TX28S, TX51, TX53, TX6		No devices are connected to this I2C bus. No pullup's are used on the module.			
		Name	Type	Speed [kbps]	Address
TX28		DS1339	RTC	400	1101000 r/w
		PCA9554	IO	400	0100000 r/w
TX48		DS1339	RTC	400	1101000 r/w
		LTC3589	PMIC	400	0110100 r/w

The I2C is a two-wire, bidirectional serial bus that provides a simple, efficient method of data exchange, minimizing the interconnection between devices. This bus is suitable for applications requiring occasional communications over a short distance between many devices. The flexible I2C allows additional devices to be connected to the bus for expansion and system development.

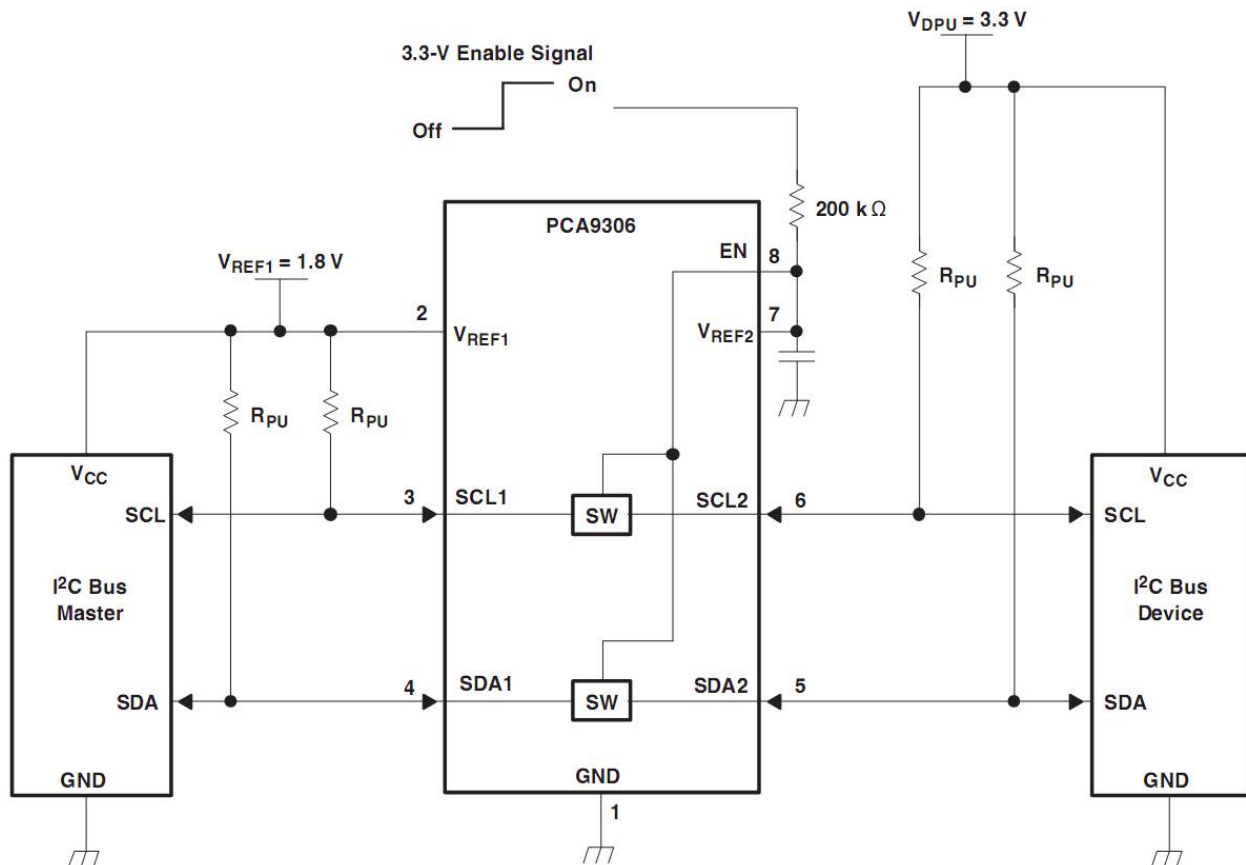


2.6.1 Example I2C Voltage Level Translator (TX27 and TX51 only)

The Texas Instruments PCA9306 allows bidirectional voltage translations between 1.2 V and 5 V, without the use of a direction pin.

Be aware of the PCA9306 min. supply voltage: $V_{REF2} > V_{REF1} + 0.6V$. Because of this limitation a Texas Instruments TXS0102 should be used instead if the design is intended to be used with 1.8V and 3.3V TX modules.

As with the standard I2C system, pullup resistors are required to provide the logic high levels on the translator's bus. The PCA9306 has a standard open-collector configuration of the I2C bus. The size of these pullup resistors depends on the system, but each side of the repeater must have a pullup resistor. The device is designed to work with standard-mode and fast-mode I2C devices, in addition to SMBus devices. Standard-mode I2C devices only specify 3 mA in a generic I2C system where standard-mode devices and multiple masters are possible. Under certain conditions, high termination currents can be used.



PULLUP RESISTOR VALUES⁽¹⁾⁽²⁾

PULLUP RESISTOR VALUE (Ω)						
V_{DPU}	15 mA		10 mA		3 mA	
	NOMINAL	+10% ⁽³⁾	NOMINAL	+10% ⁽³⁾	NOMINAL	+10% ⁽³⁾
5 V	310	341	465	512	1550	1705
3.3 V	197	217	295	325	983	1082
2.5 V	143	158	215	237	717	788
1.8 V	97	106	145	160	483	532
1.5 V	77	85	115	127	383	422
1.2 V	57	63	85	94	283	312

(1) Calculated for $V_{OL} = 0.35$ V

(2) Assumes output driver $V_{OL} = 0.175$ V at stated current

(3) +10% to compensate for V_{DD} range and resistor tolerance

2.6.1 I2C recommendations²

Recommendation	Explanation
Verify the target I2C interface clock rates.	The bus can only operate as fast as the slowest peripheral on the bus. If faster operation is required, move the slow devices to another I2C port. A slow peripheral may unpredictably take over the bus or might malfunction in some other way.
Verify that the target I2C address range is supported and does not conflict with other peripherals. If there is an unavoidable address conflict, move the offending device to another I2C port.	If it is undesirable to move a conflicting device to another I2C port, review the peripheral operation to see if it supports remapping the address.
Do not place more than one set of pullup resistors on the I2C lines	This can result in excessive loading. Good design practice is to place one pair of pullups only.

² Freescale Hardware Development Guide for i.MX 6Quad, 6Dual, 6DualLite, 6Solo Families of Applications Processors, Table 1-4

2.7 PWM / 1-WIRE

Pin	Signal	Description		type	I/O
42	PWM	Pulse-Width Modulator (PWM) Output		VDDIO	O
		Module	Remark		
		TX51	Be aware of the voltage level on this pin: 3.1V instead of 1.8V		
43	OWIRE	1-Wire		VDDIO	I/O
		Module	Remark		
		TX28/TX48/TX6	No 1-Wire controller – a GPIO is used instead		

1-Wire is a registered trademark of Dallas Semiconductor for a device communications bus systems designed by Dallas Semiconductor that provides low-speed data, signalling and power over a single signal, albeit using two wires, one for ground, one for power and data. 1-Wire is similar in concept to I2C, but with lower data rates and longer range. It is typically used to communicate with small inexpensive devices.

2.8 CSPI – Configurable Serial Peripheral Interface

Pin	Signal	Description	type	I/O
44	CSPI_SS0	Slave Select bidirectional, selectable polarity signal, output in master mode, and input in slave mode.	VDDIO	I/O
45	CSPI_SS1		VDDIO	I/O
46	CSPI_MOSI	Master Out Slave In bidirectional signal, which is TxD output signal from the data shift register in master mode. In Slave mode it is RxD input to the data shift register.	VDDIO	I/O
47	CSPI_MISO	Master In Slave Out bidirectional signal, which is RxD input signal to the data shift register in master mode. In Slave mode it is TxD output from the data shift register.	VDDIO	I/O
48	CSPI_SCLK	CSPI Clock bidirectional signal, which is CSPI clock output in master mode. In slave mode it is an input CSPI clock signal.	VDDIO	I/O
49	CSPI_RDY	Serial Data Ready signal - This input signal is used for hardware control only in master mode. It indicates that external SPI slave is ready to receive data. It will edge or level trigger a CSPI burst if used. If the hardware control enabled, CSPI will transfer data only when external SPI slave is ready	VDDIO	I/O

The i.MX processors contains Configurable Serial Peripheral Interface (CSPI) modules that allow rapid data communication with fewer software interrupts than conventional serial communications. Each CSPI is equipped with two data FIFOs and is a master/slave configurable serial peripheral interface module, allowing processor to interface with both external SPI master and slave devices.

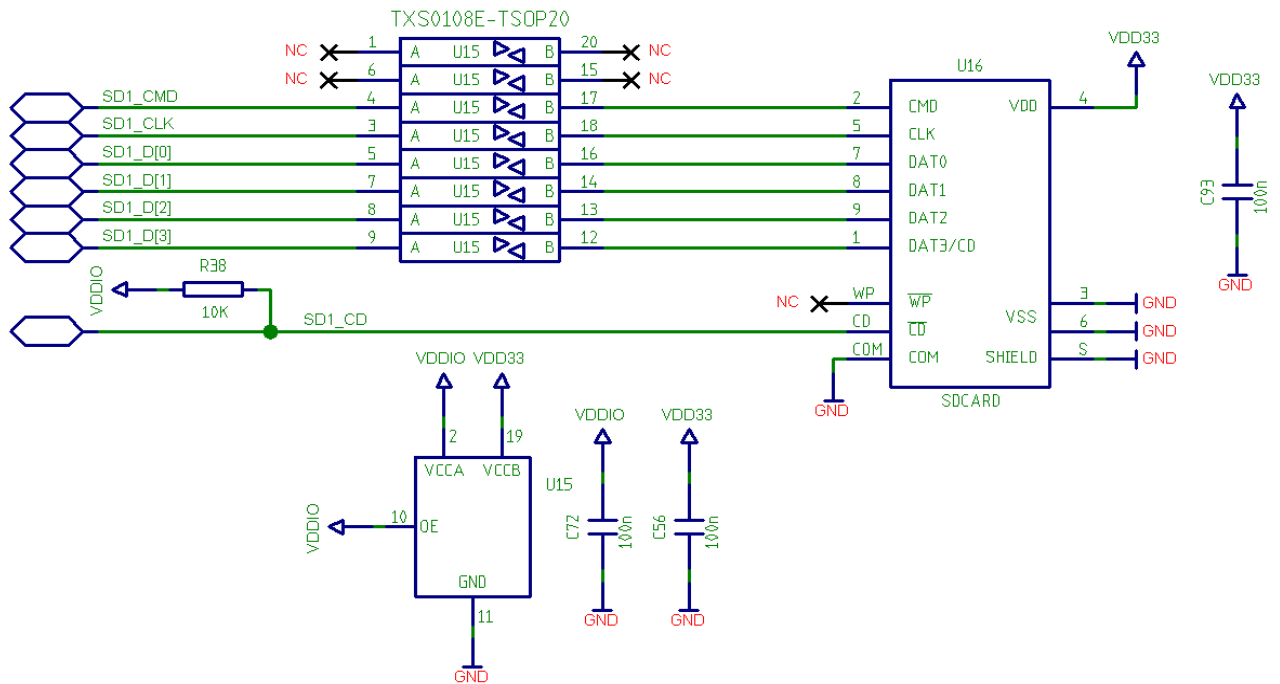
2.9 SDIO Interfaces

Pin	Signal	Description	type	I/O
51, 95	SD1_CD SD2_CD	SD Card Detect – connected to a GPIO	VDDIO	I
52, 96	SD1_D[0] SD2_D[0]	SD Data bidirectional signals	VDDIO	I/O
53, 97	SD1_D[1] SD2_D[1]			
54, 98	SD1_D[2] SD2_D[2]			
55, 99	SD1_D[3] SD2_D[3]			
56, 100	SD1_CMD SD2_CMD			
57, 101	SD1_CLK SD2_CLK	SD Output Clock.	VDDIO	O
Module		Remark		
TX25, TX28, TX48		Only one SD-Card available on standard pinout, SD Interface 2 is not used / not connected		
TX28		Pin 101 is used as ENET_CLK		

The TX pinout provides two dedicated SDIO interfaces. SDIO stands for Secure Digital Input Output which can also be used for SD-Memory-Cards.

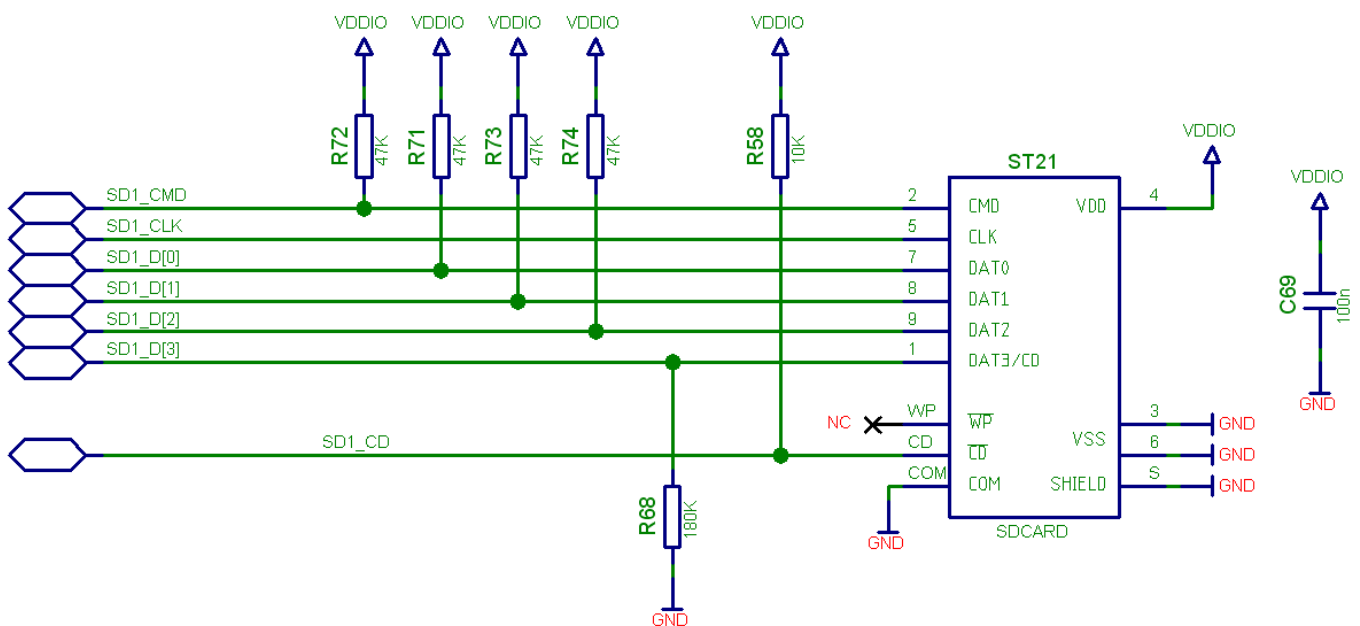
2.9.1 SD-Card example diagram using level shifters

No external pullups are needed here. Each port of the TXS0108E has an internal pull-up resistor. These have a value of 40 kΩ when the output is driving low and a value of 4 kΩ when the output is driving high. Unfortunately the card detect feature commonly used for Micro-SD cards on DAT3/CD cannot be used. A dedicated card detect switch is required.



2.9.2 SD-Card example diagram only for 3.3V modules

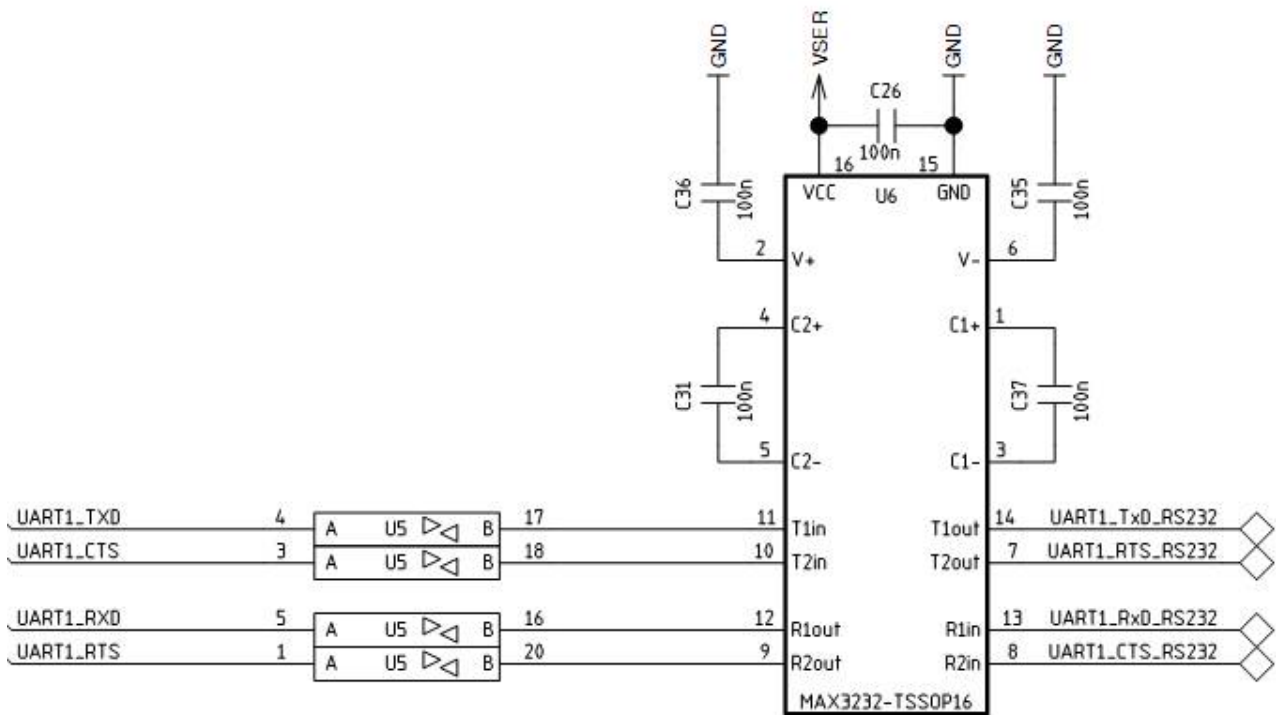
Either the use of the processor internal pullups or the use of pullups on the baseboard is possible.



2.10 UARTs

Pin	Signal	Description	type	I/O
59, 63, 67	UART1_TXD UART2_TXD UART3_TXD	Transmit Data output signal	VDDIO	O
60, 64, 68	UART1_RXD UART2_RXD UART3_RXD	Receive Data input signal	VDDIO	I
61, 65, 69	UART1_RTS UART2_RTS UART3_RTS	Request to Send input signal	VDDIO	I
62, 66, 70	UART1_CTS UART2_CTS UART3_CTS	Clear to Send output signal	VDDIO	O

2.10.1 UART Example diagram



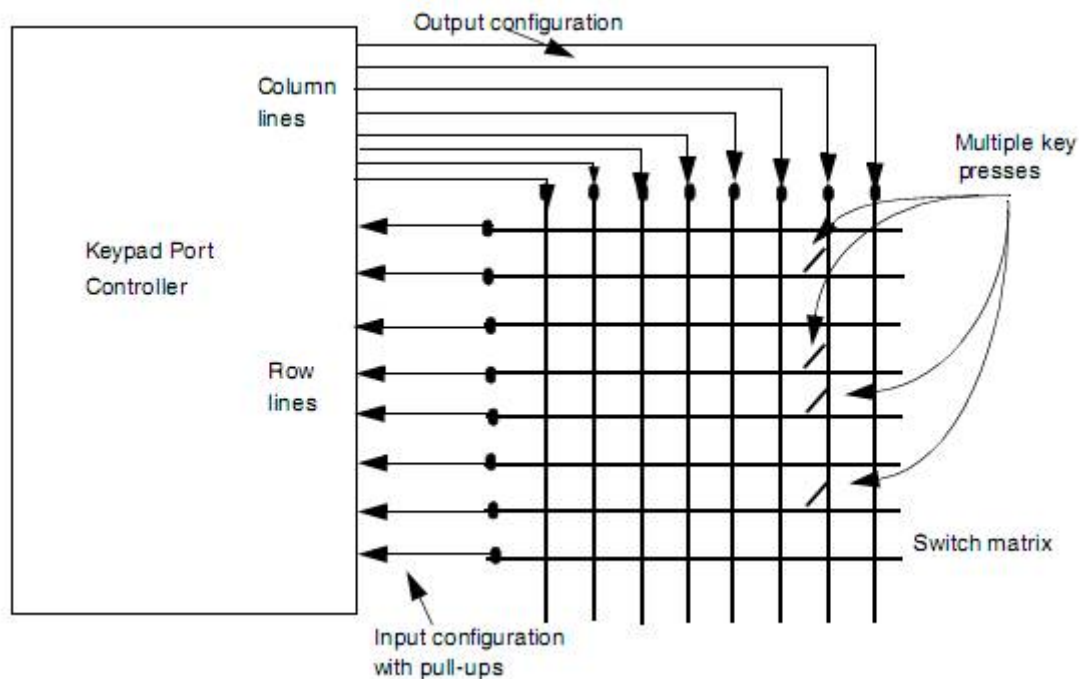
Keep attention to the unusual DCE naming convention Freescale is using for CTS(output)/RTS(input).

MAX3232CUE SMD TSSOP16 MAX

2.11 Keypad Interface

Pin	Signal	Description	type	I/O
72	KP_COL[0]	Keypad Column selection signals.	VDDIO	
73	KP_COL[1]		VDDIO	
74	KP_COL[2]		VDDIO	
75	KP_COL[3]		VDDIO	
76	KP_COL[4]		VDDIO	
77	KP_ROW[0]	Keypad Row selection signals.	VDDIO	
78	KP_ROW[1]		VDDIO	
79	KP_ROW[2]		VDDIO	
80	KP_ROW[3]		VDDIO	
81	KP_ROW[4]		VDDIO	
Module		Remark		
TX28		A PCA9554 8-bit I2C-bus I/O port is used for KP_COL[0-3] and KP_ROW[0-3] KP_COL[4], KP_ROW[4] is not part of the keypad interface, used for CAN instead.		
TX25, TX48, TX53, TX6		KP_COL[4], KP_ROW[4] can also be used for the 1 st CAN interface.		

The Keypad Port (KPP) is designed to interface with the keypad matrix with 2-point contact or 3-point contact keys. The KPP is designed to simplify the software task of scanning a keypad matrix. With appropriate software support, the KPP is capable of detecting, debouncing, and decoding one or multiple keys pressed simultaneously on the keypad.



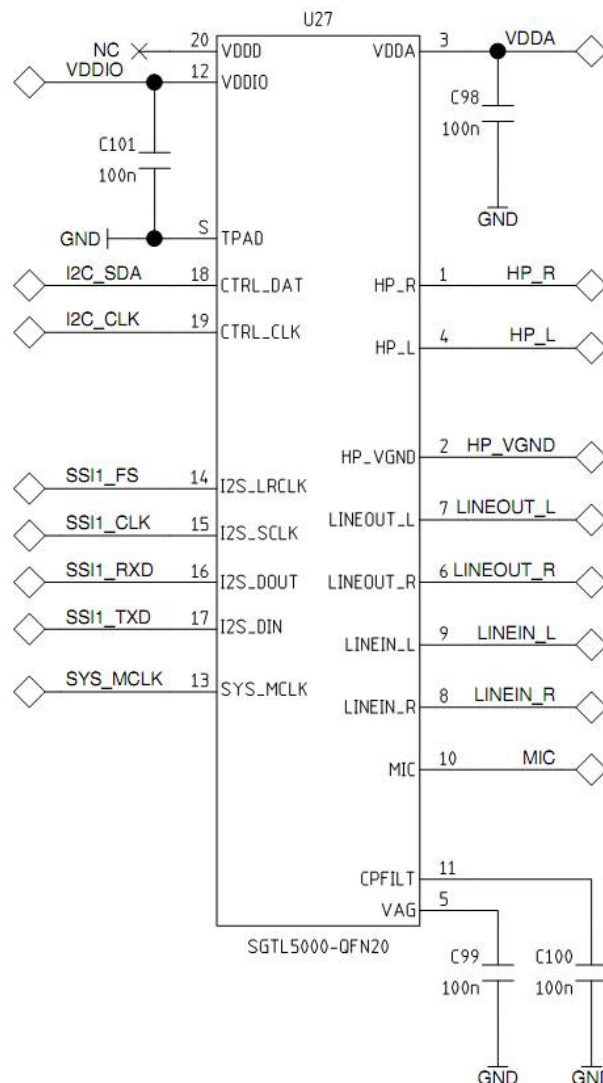
2.12 Digital Audio Ports

Pin	Signal	Description	type	I/O
83	SSI1_INT	Interrupt		
89	SSI2_INT			
84	SSI1_RXD	Receive serial data		
90	SSI2_RXD			
85	SSI1_TXD	Transmit serial data		
91	SSI2_TXD			
86	SSI1_CLK	Serial clock		
92	SSI2_CLK			
87	SSI1_FS	Frame Sync		
93	SSI2_FS			

The SSI is a full-duplex, serial port that allows the chip to communicate with a variety of serial devices. These serial devices can be standard CODer-DECoder (CODECs), Digital Signal Processors (DSPs), microprocessors, peripherals, and popular industry audio CODECs that implement the inter-IC sound bus standard (I2S) and Intel AC97 standard.

SSI is typically used to transfer samples in a periodic manner. The SSI consists of independent transmitter and receiver sections with independent clock generation and frame synchronization.

Audio Codec example:



2.13 CMOS Sensor Interface

Pin	Signal	Description	type	I/O
103-110	CSI1_D	Sensor port data (8 bit)	VDDIO	I
112	CSI1_HSYNC	Sensor port horizontal sync	VDDIO	I
113	CSI1_VSYNC	Sensor port vertical sync	VDDIO	I
114	CSI1_PIXCLK	Sensor port data latch clock	VDDIO	I
115	CSI1_MCLK	Sensor port master clock	VDDIO	O
Module		Remark		
TX28		The TX28 has no camera interface. Refer to TX28 datasheet for alternate usage.		

The CMOS Sensor Interface (CSI) enables the chip to connect directly to external CMOS image sensors. CMOS image sensors are separated into two classes, dumb and smart. Dumb sensors are those that support only traditional sensor timing (Vertical SYNC and Horizontal SYNC) and output only Bayer and statistics data, while smart sensors support CCIR656 video decoder formats and perform additional processing of the image (for example, image compression, image pre-filtering, and various data output formats).

The standard CSI can support to connect one 8-bit sensor.

2.14 Extended and 2nd CMOS Sensor Interface (TX51, TX53 and TX6 only)

Pin	Signal	Description	type	I/O
161-164	CSI1_D[8-11]	Sensor port data (4 bit)	VDDIO	I
152-159	CSI2_D[12-19]	2 nd Sensor port data	VDDIO	I
151	CSI2_HSYNC	2 nd Sensor port horizontal sync	VDDIO	I
150	CSI2_VSYNC	2 nd Sensor port vertical sync	VDDIO	I
149	CSI2_PIXCLK	2 nd Sensor port data latch clock	VDDIO	I
148	CSI2_MCLK	2 nd Sensor port master clock	VDDIO	O
Module		Remark		
TX25, TX27, TX28, TX48		Not available – other module specific functions are used on these pins.		

TX51 and TX53 provide a second camera interface and four additional data bits for the first camera interface. The complete interface is available on the module specific section of the TX-Standard pinout.

2.15 LCD Interface

Pin	Signal	Description	type	I/O
117-128, 130-141	LCD_D[0-23]	LCD Data		
143	HSYNC	Line Pulse or HSync		
144	VSYNC	Frame Sync or VSync—This signal also serves as the clock signal output for gate; driver (dedicated signal SPS for Sharp panel HR-TFT)		
145	OE_ACD	Alternate Crystal Direction/Output Enable		
146	LSCLK	Shift Clock		

The LCD Controller of the i.MX processors provides display data for external greyscale or color LCD panels. The LCD Controller is capable of supporting black-and-white, greyscale, passive-matrix color (passive color or CSTN), and active-matrix color (active color or TFT) LCD panels.

The TX LCD Interface defines a generic 24 bit Panel Interface LCD_D[23..0]. The TFT color channel assignments are shown in the table below:

LCD_D	23	22	21	20	19	18	17	16	15	14	13	12	11	10	9	8	7	6	5	4	3	2	1	0
TX28 TX51 TX53 TX6	LD	LD	LD	LD	LD	LD	LD	LD	LD	LD	LD	LD	LD	LD	LD	LD	LD	LD	LD	LD	LD	LD	LD	LD
TX48	LD	LD	LD	LD	LD	LD	LD	LD	LD	LD	LD	LD	LD	LD	LD	LD	LD	LD	LD	LD	LD	LD	LD	LD
TX25 TX27	LD	LD	LD	LD	LD	LD	GP	GP	LD	LD	LD	LD	LD	LD	GP	GP	LD	LD	LD	LD	LD	LD	GP	GP
24bpp	R7	R6	R5	R4	R3	R2	R1	R0	G7	G6	G5	G4	G3	G2	G1	G0	B7	B6	B5	B4	B3	B2	B1	B0
18bpp	R5	R4	R3	R2	R1	R0			G5	G4	G3	G2	G1	G0			B5	B4	B3	B2	B1	B0		
16bpp ³	R4	R3	R2	R1	R0				G5	G4	G3	G2	G1	G0			B4	B3	B2	B1	B0			
12bpp	R3	R2	R1	R0					G3	G2	G1	G0					B3	B2	B1	B0				

With this assignment the two module types – 18bpp like the TX25 and TX27 and 24bpp like the TX51 – can be used on the same carrier board without any change. On 18bpp modules the unused bits are always connected to General Purpose IOs to be able to drive these to a defined level.

Module	Remark ³
TX48	The blue and red color assignments to the LCD data pins are reversed when operating in RGB888 (24bpp) mode compared to RGB565 (16bpp) mode. Using the LCD Controller with this connection scheme limits the use of RGB565 mode. Any data generated for the RGB565 mode requires the red and blue color data values be swapped in order to display the correct color.

³ AM335x ARM Cortex-A8 Microprocessors (MPUs) Silicon Errata

2.16 LVDS/SATA option (TX53, TX6 only)

As an ordering option the TX53 and TX6 are available with a dual LVDS and SATA interface instead of the parallel LCD interface.

In that case the LCD interface signals LD0..LD19 are used to bring out the processors LVDS interfaces. In addition to this the SATA interface is available on pins LD20..LD23.

2.16.1 LVDS pin mapping

LVDS interface 0

LCD_D	19	18	17	16	15	14	13	12	11	9
Pin	137	136	135	134	133	132	131	130	128	126
Signal	TX0_N	TX1_N	TX0_P	TX1_P	TX2_N	CLK_N	TX2_P	CLK_P	TX3_N	TX3_P

LVDS interface 1

LCD_D	10	8	7	6	5	4	3	2	1	0
Pin	127	125	124	123	122	121	120	119	118	117
Signal	CLK_P	CLK_N	TX0_P	TX3_P	TX0_N	TX3_N	TX1_P	TX2_P	TX1_N	TX2_N

2.16.2 LVDS recommendations⁴

Use the following recommendations for the LVDS.

- Follow standard high-speed differential routing rules for signal integrity.
- Each differential pair should be length matched to ± 5 mils.
- LVDS differential pairs should have a differential impedance of 100 Ω .

2.16.3 SATA pin mapping

LCD_D	23	22	21	20
Pin	141	140	139	138
Signal	SATA_TXP	SATA_RXP	SATA_TXM	SATA_RXM

2.16.4 SATA recommendations⁵

Use the following recommendations for the SATA.

- SATA differential pairs should have a differential impedance of 100 Ω .
- Each differential pair should be length matched to ± 5 mils.
- Follow standard high-speed differential routing rules for signal integrity.

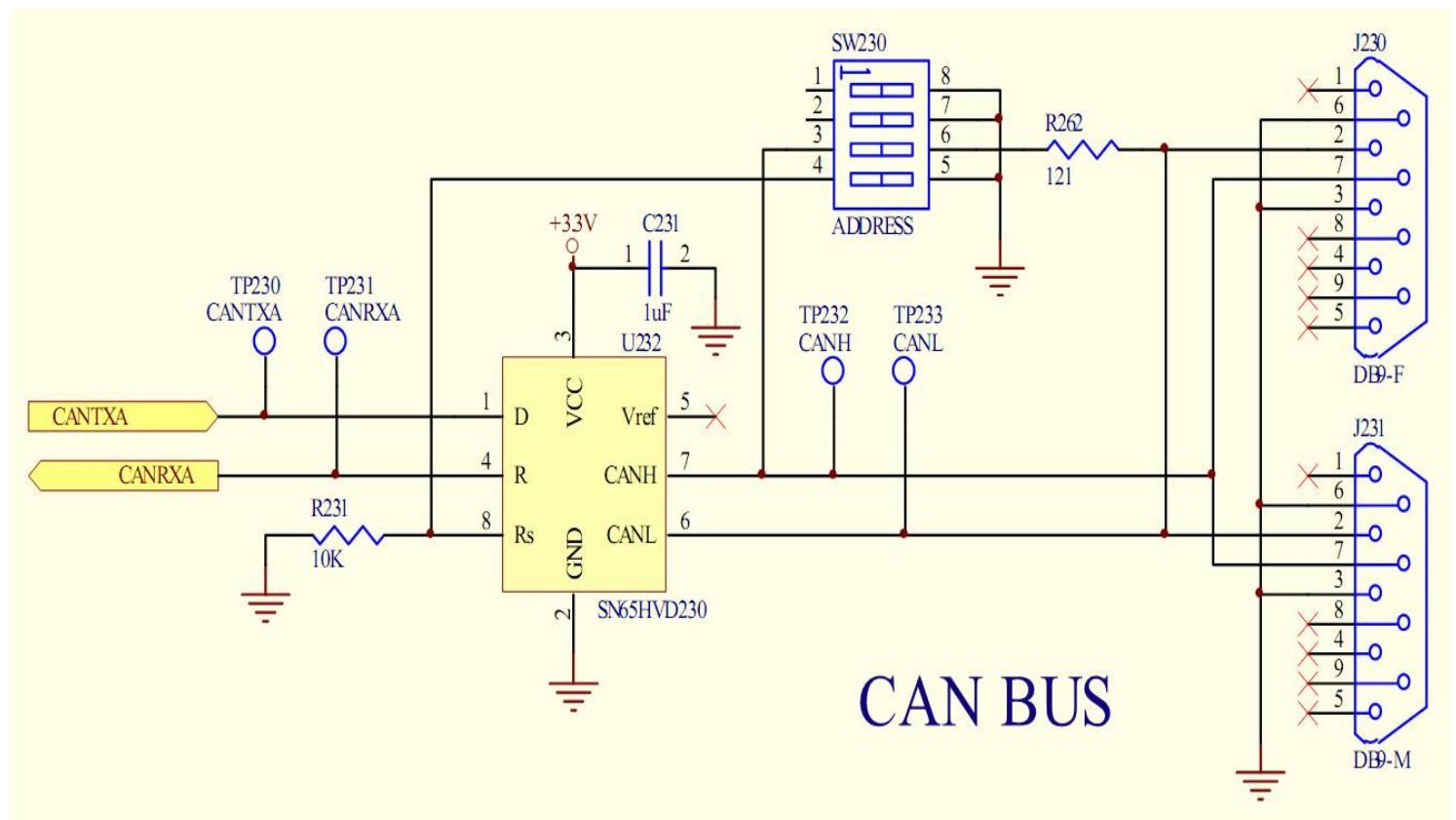
⁴ Freescale Hardware Development Guide for i.MX 6Quad, 6Dual, 6DualLite, 6Solo Families of Applications Processors, Chap. 2.10

⁵ Freescale Hardware Development Guide for i.MX 6Quad, 6Dual, 6DualLite, 6Solo Families of Applications Processors, Chap. 2.9

2.17 CAN Interface

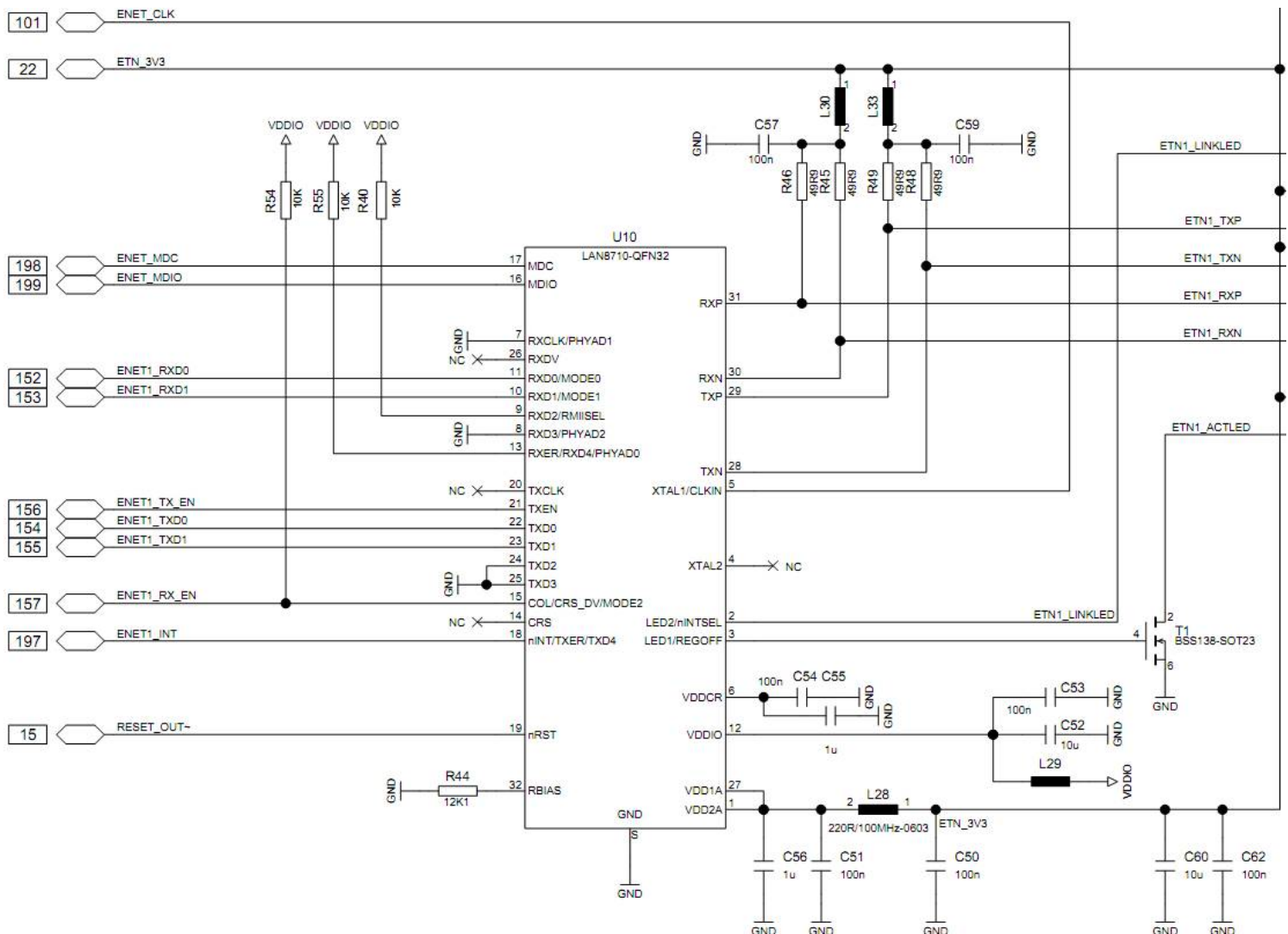
Pin	Signal	Description	type	I/O
76	CAN1-TX	This is the transmit signal to the CAN bus transceiver.	VDDIO	O
81	CAN1-RX	This is the receive signal from the CAN bus transceiver.	VDDIO	I
34	CAN2-TX	This is the transmit signal to the CAN bus transceiver.	VDDIO	O
36	CAN2-RX	This is the receive signal from the CAN bus transceiver.	VDDIO	I
Module		Remark		
TX27, TX51		Not available – default functions are used on these pins.		

Some TX modules provides a FlexCAN communication controller that implements the CAN protocol according to the CAN 2.0B protocol specification. The CAN protocol was designed primarily (but not solely) to meet requirements suitable for a serial data bus in vehicle applications, including: real-time processing, reliable operation in the EMI environment of a vehicle, cost-effectiveness, and sufficient bandwidth. A CAN Transceiver is needed on the baseboard to connect the system to the CAN bus. The Texas Instruments SN65HVD23x operates with a single 3.3V supply and can be connected directly to the 3.3V TX modules:



2.18 2nd Ethernet RMII (TX28 only)

Pin	Signal	Description
15	RESET_B	Ethernet PHY reset. This signal is also connected to the TX28 onboard Ethernet PHY.
101	ENET_CLK	Ethernet PHY clock. This signal is also connected to the TX28 onboard PHY. This clock signal is split at the driver side on the TX28. The trace length on the baseboard should be about 35mm.
152	ENET1_RXD0	Bit 0 of the 2 data bits that are sent by the transceiver on the receive path.
153	ENET1_RXD1	Bit 1 of the 2 data bits that are sent by the transceiver on the receive path.
154	ENET1_TXD0	Bit 0 of the MAC transmit data to the transceiver
155	ENET1_TXD1	Bit 1 of the MAC transmit data to the transceiver
156	ENET1_TX_EN	Indicates that valid transmission data is present on TXD[1:0]
157	ENET1_RX_EN	Receive Data Valid
197	ENET_INT	Ethernet PHY interrupt. This signal is wired or with the TX28 onboard Ethernet PHY interrupt.
198	ENET_MDC	ENET_MDC
199	ENET_MDIO	ENET_MDIO

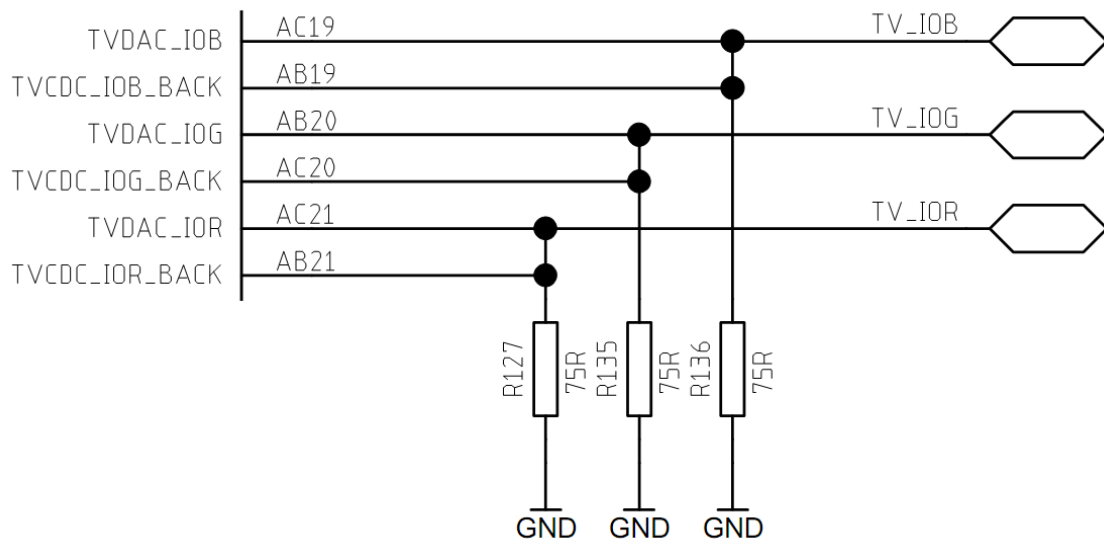


2.19 TV out (TX51, TX53 only)

Pin	Signal	Description	type	I/O
168	TVDAC_I0B	Triple Video Digital-to-Analog Converter (TVDAC); supports HD720p/1080p, PAL/NTSC or VGA output for direct connection to TV or LCD projector	analog	O
169	TVDAC_I0G		analog	O
170	TVDAC_I0R		analog	O

Rset = 1.05 kΩ ±1%, resistor on TVDAC_VREF pin to GND

A 75-Ω termination is already done on the module:



2.19.1 TV Encoder Recommendations⁶

Use the following recommendations for the TV encoder.

- For the TV/VGA interface, the IOR, IOG, and IOB signals must have 75-Ω impedance.

⁶ Freescale i.MX53 System Development User's Guide, MX53UG, Chap. 2.7

2.20 PCI express (TX6 only)

Pin	Signal	Description	type	I/O
166, 168	CLK1_N, CLK1_P	Alternate reference clock for PCIe	LVDS	I/O
167, 169	PCIE_RXM, PCIE_RXP	PCI Express receive differential pair	LVDS	I
170, 172	PCIE_TXM, PCIE_TXP	PCI Express transmit differential pair	LVDS	O

The TX6 provides a ×1 PCIe lane. The PCIe module supports PCI Express Gen 2.0 interfaces at 5 Gb/s. It is also backwards compatible to Gen 1.1 interfaces at 2.5 Gb/s.

2.20.1 PCI Express interface recommendations⁷

2.20.1.1 PCI Express general routing guidelines

Use the following recommendations for PCI Express general routing:

- The trace width and spacing of the lanes ×1 signals should be such that the differential impedance is $85 \Omega \pm 10\%$.
- Route traces over continuous planes (power and ground). Avoid split planes, plane slots, or anti-etch.
- Maintain the parallelism (skew matched) between differential signals; these traces should be the same overall length.
- Keep signals with traces as short as possible.
- Route signals with a minimum amount of corners. Use 45-degree turns instead of 90-degree turns.
- Do not create stubs or branches.
- Maintain symmetry of differential pair routing.

2.20.1.2 PCI Express coupling lane

All signals are directly connected on the TX6 module. Refer to the Freescale Hardware Development Guide for a guideline to couple the signals. Consult the PCISig documentation for detailed information.

2.20.2 PCIe recommendations⁸

Recommendation	Explanation
Termination is required on the differential clock lines. Connect two 49.9Ω resistors, one between REFCLK- and GND, the other between REFCLK+ and GND. Alternately, Connect a 100Ω resistor between REFCLK- and REFCLK+.	These termination resistors should be placed as close as possible to the receiver device inputs in case the chip LVDS clock outputs are used as the REFCLK source for the PCIe endpoint device.

⁷ Freescale Hardware Development Guide for i.MX 6Quad, 6Dual, 6DualLite, 6Solo Families of Applications Processors, chap. 2-7

⁸ Freescale Hardware Development Guide for i.MX 6Quad, 6Dual, 6DualLite, 6Solo Families of Applications Processors, Table 1-10

2.21 GPIO and module specific signals

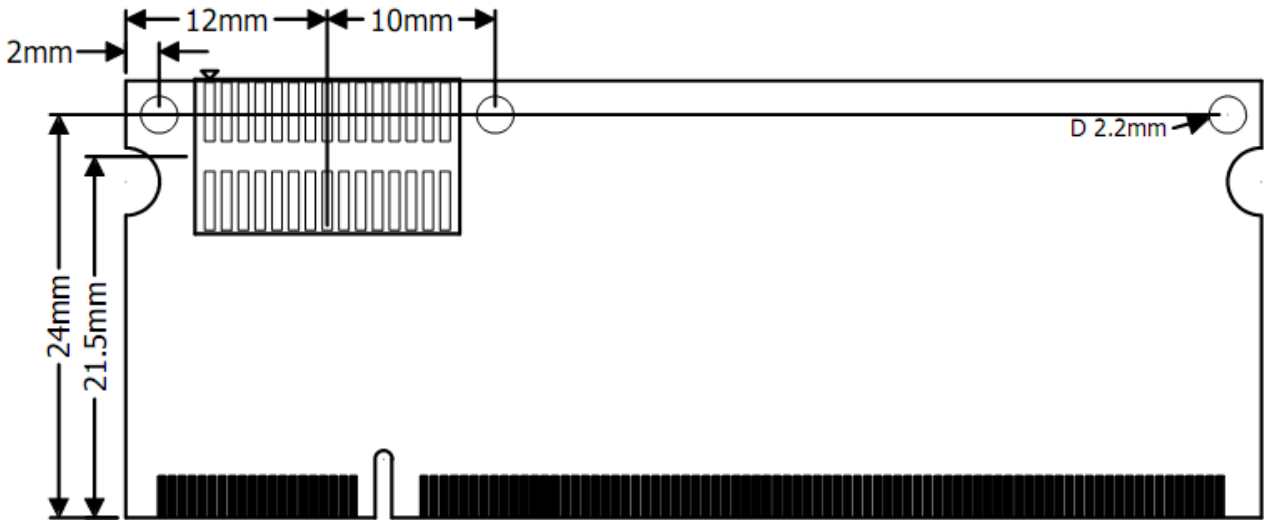
Pin	Signal	Description	type	I/O
148-159	GPIO[0-11]	General Purpose Input/Output	VDDIO	I/O
161-170, 172-182, 184-199		Module specific interfaces – refer to datasheet for details		

3 Optional Debugging Connector

3.1 Debug Connector Signal Assignment

Pin	Signal	Description	type	I/O
1	MFG_NC1	Do not connect on the carrier board. These pins are reserved for manufacturing purposes.		
3	MFG_NC0			
5	BOOT[1]	Module specific boot mode, refer to the processor datasheet. Boot from flash is selected, if these pins are not connected. (N/A on TX28)	VDDIO	I
7	BOOT[0]		VDDIO	I
9	GND			
11	#TRST		VDDIO	
13	TMS		VDDIO	
15	TDO		VDDIO	
17	TDI		VDDIO	
19	GND			
21	TCK		VDDIO	
23	GND			
25, 27, 29	NC			
2, 4, 6 ... 28, 30	GND			

3.2 Debug connector location



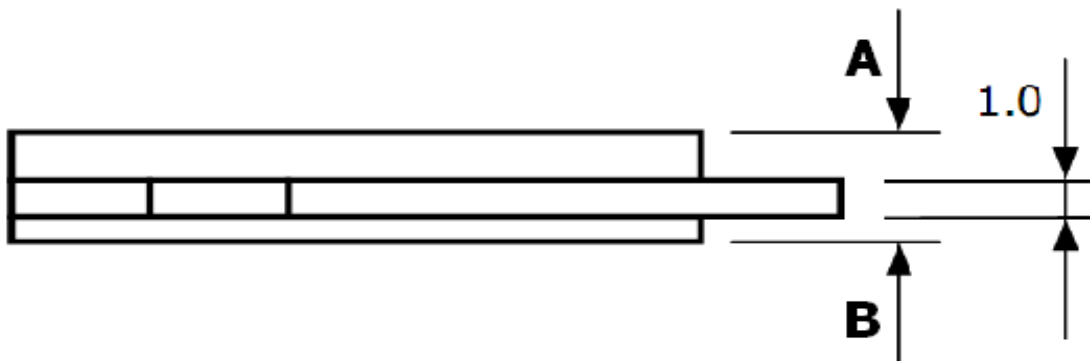
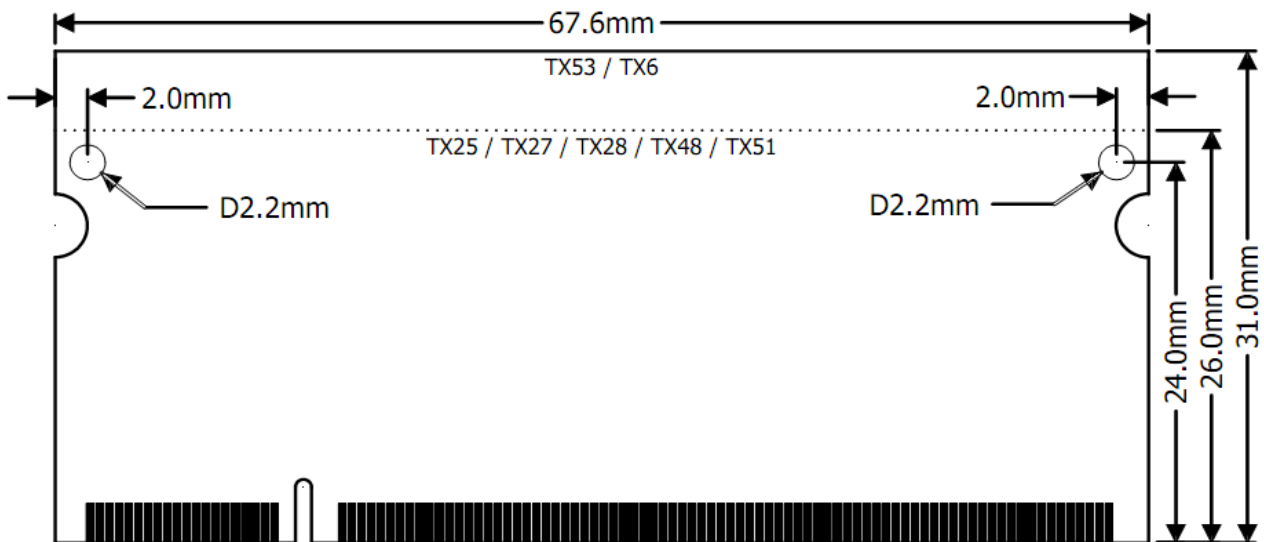
Mates with Samtec FSI - 3mm Height, One Piece Interface, part no. FSI-115-03-G-D-AD
 The SO-DIMM connector socket height has to be 5.2mm if the debug connector is used.



4 Mechanical

4.1 TX module outline

Module	L	W	A	B
TX25	67.6mm	26mm	1.4mm	1.3mm
TX27			1.8mm	1.0mm
TX28			1.8mm	1.1mm
TX48			1.8mm	1.1mm
TX51			1.8mm	1.1mm
TX53	67.6mm	31mm	1.8mm	1.3mm
TX6			2.0mm	1.1mm



4.2 SO-DIMM connector

For detailed information on socket dimensions and recommended PCB layout refer to the manufacturer datasheets. Be sure to use DDR SO-DIMM type sockets with 2,5V keying.

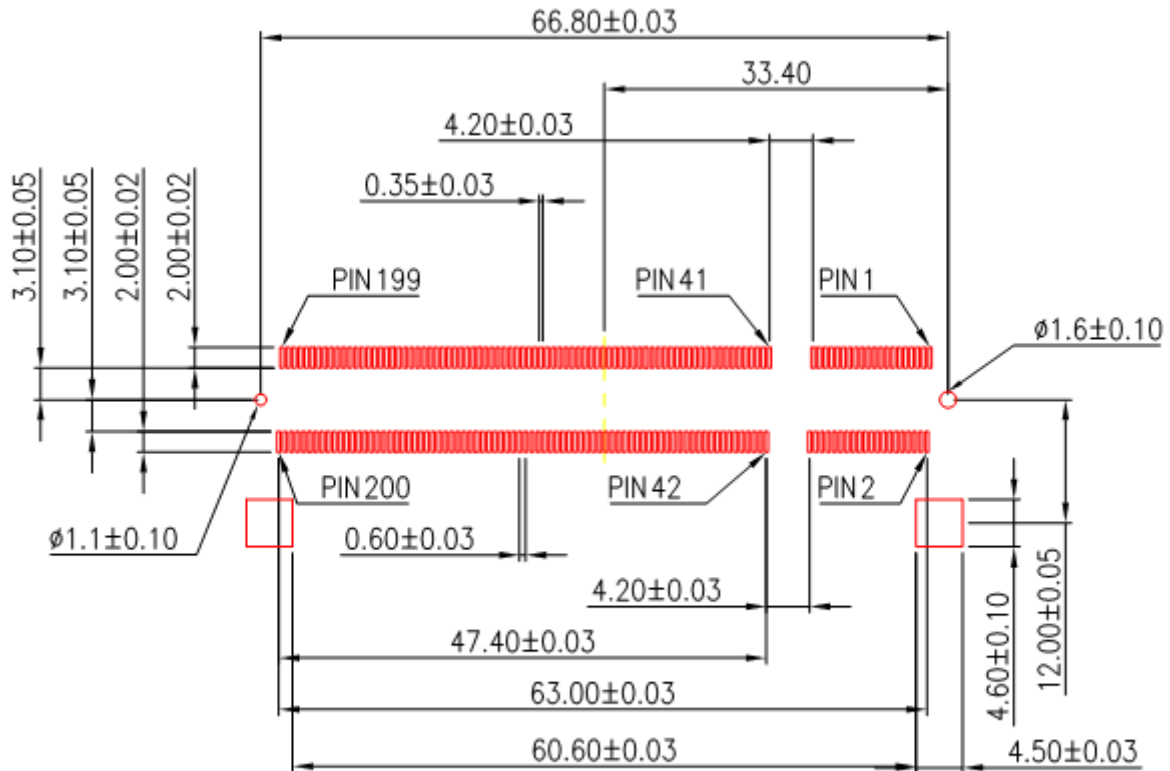
Part number	Socket height	Overall mounting height	Underside space	Supplier
1565691-1	4,0mm	4,5mm	0,5mm	Tyco Electronics
AS0A426-E4SN-7F				Foxconn
SODIMM200S52T25	5,2mm	5,7mm	1,7mm	admatec
AS0A426-E2SN-7F				Foxconn
1473005-1				Tyco Electronics
AS0A426-B6SN-7F	6,5mm	7,0mm	3,0mm	Foxconn
1717468-3				Tyco Electronics
AS0A426-B8SN-7F	8,0mm	8,5mm	4,5mm	Foxconn
SODIMM200S92T25	9,2mm	9,7mm	5,7mm	admatec
AS0A426-EASN-7F				Foxconn

Tabelle 1: SO-DIMM part numbers and suppliers

Typical DDR SO-DIMM Socket specifications

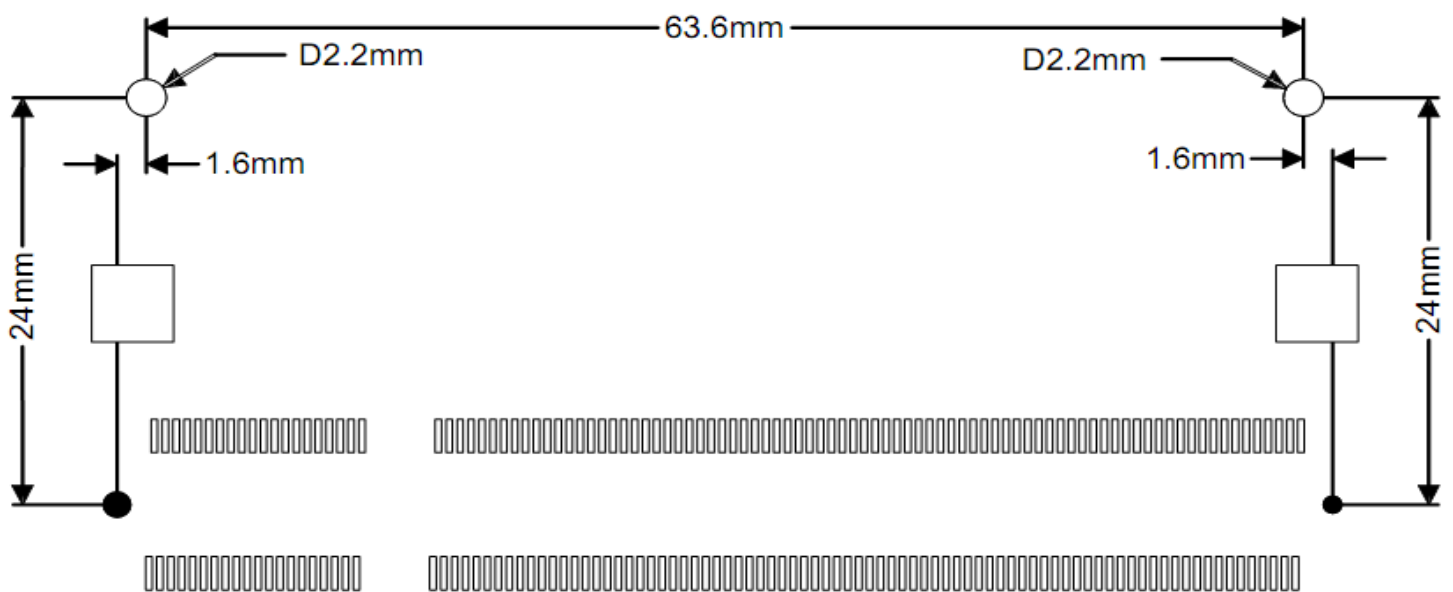
- Durability : 25 Cycles
- Voltage Rating: 25V
- Current Rating: 0.5A (Tyco Electronics 1473005-1)
- Contact Resistance: 50mΩ max.
- Dielectric Withstanding Voltage: 250V AC/1 min.
- Insulation Resistance: 100MΩ
- Operating Temperature: -40°C to +85°C

4.3 DIMM Connector PCB Layout example




RECOMMENDED P.C.BOARD LAYOUT.

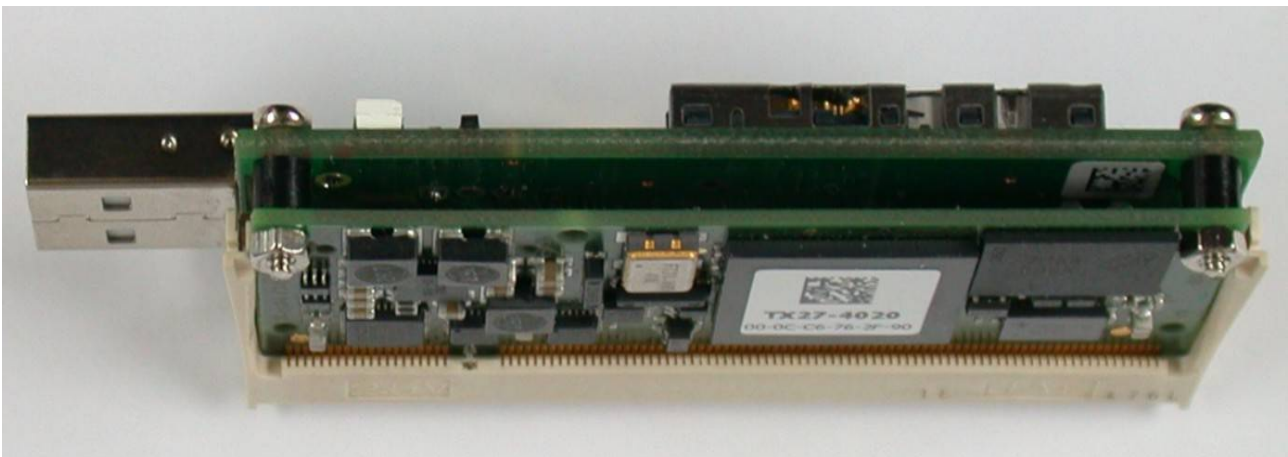
The position of the TX module mounting holes depend on the used DIMM socket. The following example applies to a Tyco socket 1473005-1.



4.4 TX Fastener Kit

A fastener kit provides secure mounting of modules plugged into the SO-DIMM socket. An additional thread locker is recommended to hold the screws in during vibration.

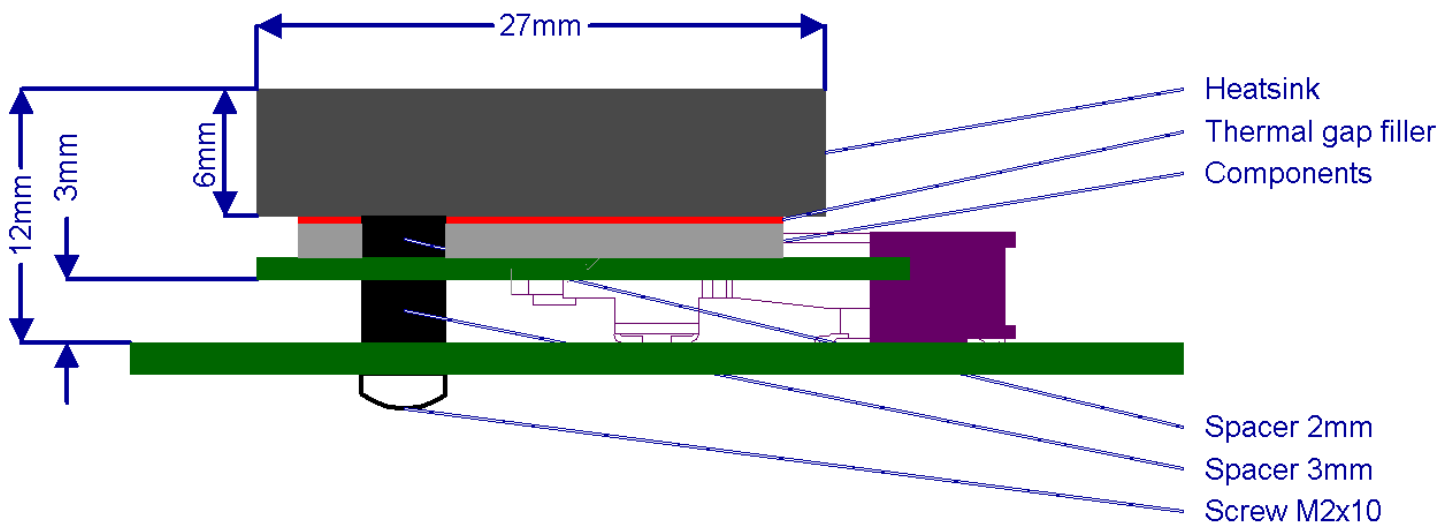
Ka-Ro Part number	Description	Quantity
<p>TX00-ZV02 (Fastener Kit / 10 sets)</p>	<p>Self Retaining Screw Spacer for M2,0 Length 3,0 mm, Outside Diameter 4,00 mm www.ettinger.de part. no. 07.51.403</p> 	<p>20</p>
	<p>Nut M2,0</p>	<p>20</p>
	<p>Screw M2,0 x 8mm</p>	<p>20</p>



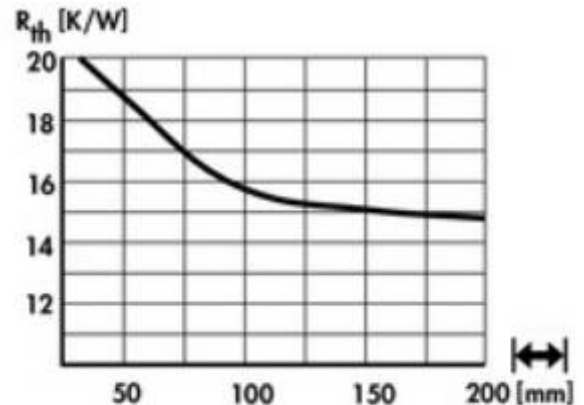
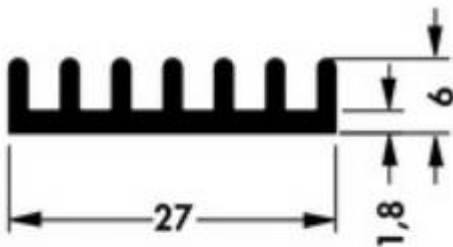
4.5 TX Heatsink Kit (17 K/W)

The TX Heatsink Kit provides also a secure mounting of a module.

Ka-Ro p/n	Item	Description	Quantity
TX00-ZV06	Heatsink	Fischer Elektronik GmbH, customised SK 473, 27mm x 68mm x 6mm	1
	Spacer	Self Retaining Screw Spacer for M2,0, Length 3,0 mm, Outside Diameter 4,00 mm www.ettinger.de p/n 07.51.403	2
		Screw Spacer for M2,0 Length 2,0 mm, Outside Diameter 4,00 mm www.ettinger.de p/n 05.81.020	2
	Thermal gap filler	Fischer Elektronik GmbH, heat conductive gel foil GEL 10	20mm x 20mm
	Screw	Screw M2,0 x 10mm	2



4.5.1 Standard extruded heatsink – SK 473 – length 68mm



4.5.2 Heat conductive gel foil – GEL 10

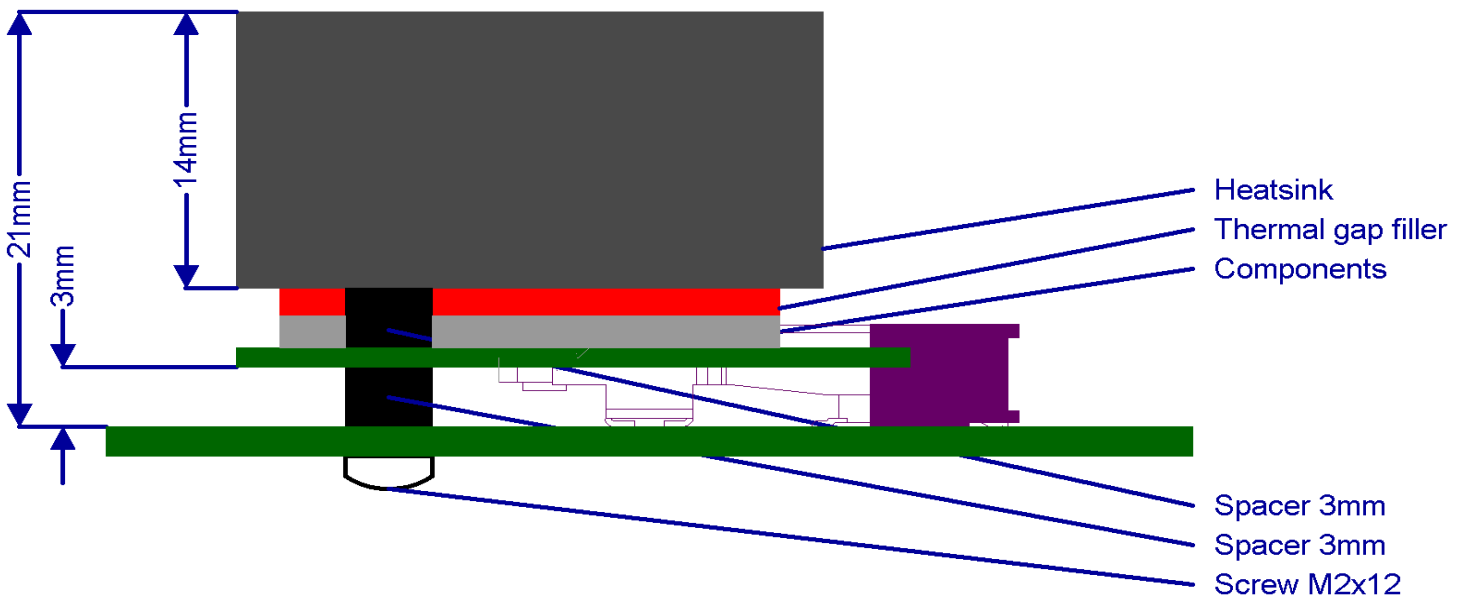
Fischer Elektronik GEL 10 datasheet:

version	standard
material	GEL foil
material thickness	1 mm
tolerance	0.2
thermal conductivity	1.5 W/m·K
volume resistivity	>1·10⁶ MΩ/m
R_{th}	1.02 °C in²/W
hardness range	< 49 Shore 00
temperature range	-60 °C ... +200 °C
extensibility	100 %
dielectric constant	5.8 [50 Hz]
	5.6 [1 KHz]
	5.5 [1 MHz]
dielectric loss factor	0.048 [50 Hz]
	0.015 [1 KHz]
	0.003 [1 MHz]
dielectric strength	14 kV/mm (AC)
tightness	2.6 g/cm³
class of flammability	UL 94 V-0
type of delivery	on both sides covered with protective foil material

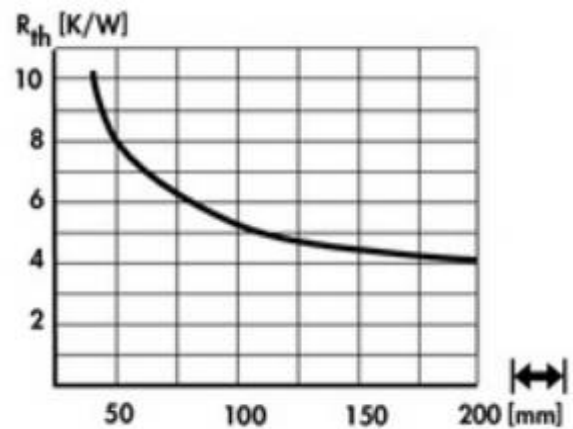
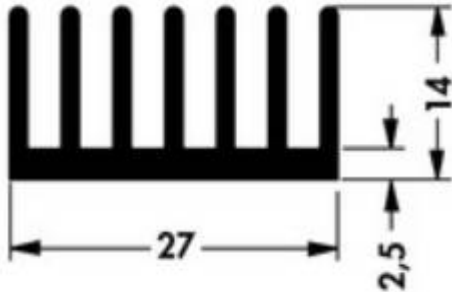
4.6 TX Heatsink Kit (7 K/W)

The TX Heatsink Kit provides also a secure mounting of the module.

Ka-Ro p/n	Item	Description	Quantity
TX00-ZV07	Heatsink	Fischer Elektronik GmbH, customised SK 560, 27mm x 68mm x 14mm	1
	Spacer	Self Retaining Screw Spacer for M2,0, Length 3,0 mm, Outside Diameter 4,00 mm www.ettinger.de p/n 07.51.403	4
	Thermal gap filler	Fischer Elektronik GmbH, heat conductive gel foil GEL 27 S 25	57mm x 15mm
	Screw	Screw M2,0 x 12mm	2



4.6.1 Standard extruded heatsink – SK 560 – length 68mm



4.6.2 Heat conductive gel foil – GEL 27 S 25

Fischer Elektronik GEL 27 S 25 datasheet:

material thickness	2.5 mm
thermal conductivity	2.7 W/m·K
volume resistivity	2·10⁷ MΩ/m
R_{th}	0.94 °C in²/W
hardness range	45 Shore 00
temperature range	-60 °C ... +200 °C
extensibility	45 %
dielectric strength	15 kV/mm
tightness	3 g/cm³
class of flammability	UL 94 V-0
type of delivery	on both sides covered with protective foil material

5 Document Revision history

Revision	Changes
2009-05-28	Initial release
2009-07-21	ETN_RXN, ETN_RXP wrong pin mapping corrected.
2010-01-27	New Layout / TX37 removed and TX51 added instead / Fastener Kit part number.
2010-03-12	Page 8, TX25 reduced output current was missing in the history, Page 32 "refer to bootmode table below" removed.
2010-08-20	Page 25, SD-Card schematics shows a standard SD-Card pinout. "MICRO" removed. Page 30, Typo in 24bpp row. CAN interface section and TX51 and TX53 specific extended and 2 nd CMOS Sensor Interface added. Remarks for TX28 and TX53 included and several other remarks updated.
2010-09-21	TX28 remarks updated.
2011-01-20	TX28 2 nd Ethernet Interface signalling and TX53 LVDS option added.
2011-12-05	2.18 ENET_INT and ETN_3V3 pin number corrected / TX53 SATA option added / TX28 BOOTMODE remark
2012-12-20	TX48, TX6 added / TX Heatsink Kit added / Several remarks and recommendations added
2013-03-22	TX Heatsink updated and (7 K/W) TX Heatsink Kit added.