



Low-Cost, Micropower, SC70/SOT23-8, Microphone Preamplifiers with Complete Shutdown

MAX4465-MAX4469

General Description

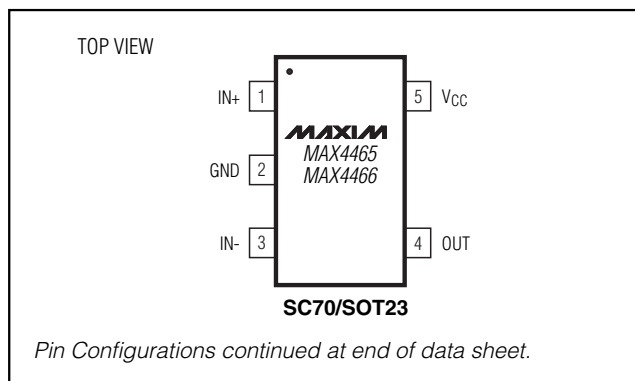
The MAX4465–MAX4469 are micropower op amps optimized for use as microphone preamplifiers. They provide the ideal combination of an optimized gain bandwidth product vs. supply current, and low voltage operation in ultra-small packages. The MAX4465/MAX4467/MAX4469 are unity-gain stable and deliver a 200kHz gain bandwidth from only 24 μ A of supply current. The MAX4466/MAX4468 are decompensated for a minimum stable gain of +5V/V and provide a 600kHz gain bandwidth product. In addition, these amplifiers feature Rail-to-Rail® outputs, high A_{VOL} , plus excellent power-supply rejection and common-mode rejection ratios for operation in noisy environments.

The MAX4467/MAX4468 include a complete shutdown mode. In shutdown, the amplifiers' supply current is reduced to 5nA and the bias current to the external microphone is cut off for ultimate power savings. The single MAX4465/MAX4466 are offered in the ultra-small 5-pin SC70 package, while the single with shutdown MAX4467/MAX4468 and dual MAX4469 are available in the space-saving 8-pin SOT23 package.

Applications

Microphone Preamplifiers
Hearing Aids
Cellular Phones
Voice-Recognition Systems
Digital Dictation Devices
Headsets
Portable Computing

Pin Configurations



Rail-to-Rail is a registered trademark of Nippon Motorola, Ltd.

Features

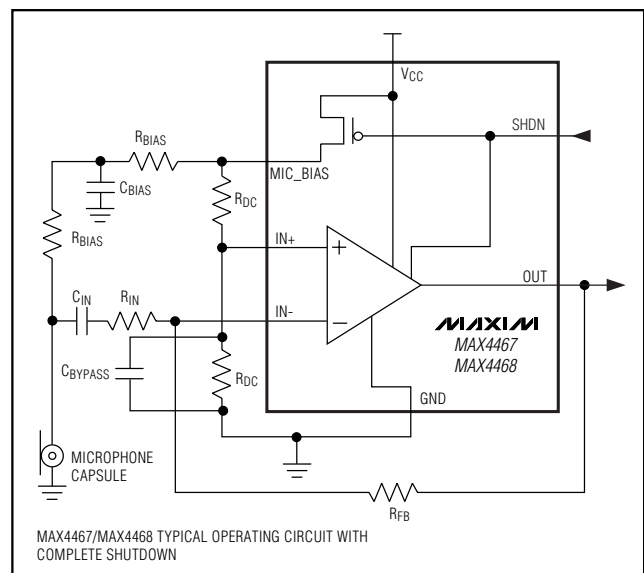
- ◆ +2.4V to +5.5V Supply Voltage Operation
- ◆ Versions with 5nA Complete Shutdown Available (MAX4467/MAX4468)
- ◆ Excellent Power-Supply Rejection Ratio: 112dB
- ◆ Excellent Common-Mode Rejection Ratio: 126dB
- ◆ High A_{VOL} : 125dB ($R_L = 100k\Omega$)
- ◆ Rail-to-Rail Outputs
- ◆ Low 24 μ A Quiescent Supply Current
- ◆ Gain Bandwidth Product:
 - 200kHz (MAX4465/MAX4467/MAX4469)
 - 600kHz $A_V \geq 5$ (MAX4466/MAX4468)
- ◆ Available in Space-Saving Packages
 - 5-Pin SC70 (MAX4465/MAX4466)
 - 8-Pin SOT23 (MAX4467/MAX4468/MAX4469)

Ordering Information

| PART | TEMP. RANGE | PIN-PACKAGE |
|--------------|----------------|-------------|
| MAX4465EXK-T | -40°C to +85°C | 5 SC70-5 |
| MAX4465EUK-T | -40°C to +85°C | 5 SOT23-5 |
| MAX4466EXK-T | -40°C to +85°C | 5 SC70-5 |
| MAX4466EUK-T | -40°C to +85°C | 5 SOT23-5 |

Ordering Information continued at end of data sheet.

Typical Operating Circuit



Low-Cost, Micropower, SC70/SOT23-8, Microphone Preamplifiers with Complete Shutdown

ABSOLUTE MAXIMUM RATINGS

| | | | |
|--|-----------------------------|---|-----------------|
| Supply Voltage (V_{CC} to GND)..... | +6V | 8-Pin SOT23 (derate 5.3mW/°C above +70°C) | 421mW |
| All Other Pins to GND..... | -0.3V to (V_{CC} + 0.3V) | 8-Pin SO (derate 5.88mW/°C above +70°C) | 471mW |
| Output Short-Circuit Duration | | Operating Temperature Range | -40°C to +85°C |
| OUT Shorted to GND or V_{CC} | Continuous | Storage Temperature Range | -65°C to +150°C |
| Continuous Power Dissipation ($T_A = +70^\circ\text{C}$) | | Junction Temperature | +150°C |
| 5-Pin SC70 (derate 2.5mW/°C above +70°C) | 200mW | Lead Temperature (soldering, 10s) | +300°C |
| 5-Pin SOT23 (derate 7.1mW/°C above +70°C) | 571mW | | |

Stresses beyond those listed under "Absolute Maximum Ratings" may cause permanent damage to the device. These are stress ratings only, and functional operation of the device at these or any other conditions beyond those indicated in the operational sections of the specifications is not implied. Exposure to absolute maximum rating conditions for extended periods may affect device reliability.

ELECTRICAL CHARACTERISTICS

($V_{CC} = +5\text{V}$, $V_{CM} = 0$, $V_{OUT} = V_{CC}/2$, $R_L = \infty$ to $V_{CC}/2$, SHDN = GND (MAX4467/MAX4468 only). $T_A = T_{MIN}$ to T_{MAX} , unless otherwise noted. Typical values specified at $T_A = +25^\circ\text{C}$.) (Note 1)

| PARAMETER | SYMBOL | CONDITIONS | MIN | TYP | MAX | UNITS |
|---------------------------------------|------------|---|---------------------------|-----------|---------------------|---------------|
| Supply Voltage Range | V_{CC} | Inferred from PSRR test | 2.4 | | 5.5 | V |
| Supply Current (Per Amplifier) | I_{CC} | $T_A = +25^\circ\text{C}$ | | 24 | 48 | μA |
| | | $T_A = T_{MIN}$ to T_{MAX} | | | 60 | |
| Supply Current in Shutdown | I_{SHDN} | SHDN = V_{CC} (Note 2) | | 5 | 50 | nA |
| Input Offset Voltage | V_{OS} | | | ± 1 | ± 5 | mV |
| Input Bias Current | I_B | $V_{CM} = -0.1\text{V}$ | | ± 2.5 | ± 100 | nA |
| Input Offset Current Range | I_{OS} | $V_{CM} = -0.1\text{V}$ | | ± 1 | ± 15 | nA |
| Input Common-Mode Range | V_{CM} | Inferred from CMRR test | -0.1 | | $V_{CC} - 0.1$ | V |
| Common-Mode Rejection Ratio | CMRR | $-0.1\text{V} \leq V_{CM} \leq V_{CC} - 1\text{V}$ | 80 | 126 | | dB |
| Power-Supply Rejection Ratio | PSRR | $2.4\text{V} \leq V_{CC} \leq 5.5\text{V}$ | 80 | 112 | | dB |
| | | MAX4465/MAX4467/MAX4469, $f = 3.4\text{kHz}$ | | 75 | | |
| | | MAX4466/MAX4468, $f = 3.4\text{kHz}$ | | 80 | | |
| Open-Loop Gain | A_{VOL} | $R_L = 100\text{k}\Omega$ to $V_{CC}/2$, $0.05\text{V} \leq V_{OUT} \leq V_{CC} - 0.05\text{V}$ | | 125 | | dB |
| | | $R_L = 10\text{k}\Omega$ to $V_{CC}/2$, $0.1\text{V} \leq V_{OUT} \leq V_{CC} - 0.1\text{V}$ | 80 | 95 | | |
| Output Voltage Swing High | V_{OH} | $ V_{CC} - V_{OH} $ | $R_L = 100\text{k}\Omega$ | | 10 | mV |
| | | | $R_L = 10\text{k}\Omega$ | | 16 | |
| Output Voltage Swing Low | V_{OL} | | $R_L = 100\text{k}\Omega$ | | 10 | mV |
| | | | $R_L = 10\text{k}\Omega$ | | 14 | |
| Output Short-Circuit Current | | To either supply rail | | 15 | | mA |
| Output Leakage Current in Shutdown | | SHDN = V_{CC} , $0 \leq V_{OUT} \leq V_{CC}$; (Notes 2, 3) | | ± 0.5 | ± 100 | nA |
| SHDN Logic Low | V_{IL} | (Note 2) | | | $V_{CC} \times 0.3$ | V |
| SHDN Logic High | V_{IH} | (Note 2) | $V_{CC} \times 0.7$ | | | V |
| SHDN Input Current | | (Note 2) | | 2 | 25 | nA |
| Gain Bandwidth Product | GBWP | MAX4465/MAX4467/MAX4469 | | 200 | | kHz |
| | | MAX4466/MAX4468 | | 600 | | |

Low-Cost, Micropower, SC70/SOT23-8, Microphone Preamplifiers with Complete Shutdown

ELECTRICAL CHARACTERISTICS (continued)

($V_{CC} = +5V$, $V_{CM} = 0$, $V_{OUT} = V_{CC}/2$, $R_L = \infty$ to $V_{CC}/2$, SHDN = GND (MAX4467/MAX4468 only), $T_A = T_{MIN}$ to T_{MAX} , unless otherwise noted. Typical values specified at $T_A = +25^\circ C$.) (Note 1)

| PARAMETER | SYMBOL | CONDITIONS | | MIN | TYP | MAX | UNITS |
|------------------------------|------------|--|--|-----|------|-----|-----------------|
| Channel-to-Channel Isolation | | MAX4469 only, $f = 1kHz$ | | | 85 | | dB |
| Phase Margin | \angle_M | $R_L = 100k\Omega$ | | | 70 | | degrees |
| Gain Margin | | $R_L = 100k\Omega$ | | | 20 | | dB |
| Slew Rate | SR | Output step = 4V | MAX4465/MAX4467/ MAX4469, $A_V = +1$ | | 45 | | mV/ μs |
| | | | MAX4466/MAX4468, $A_V = +5$ | | 300 | | |
| Input Noise Voltage Density | e_n | $f = 1kHz$ | | | 80 | | nV/ \sqrt{Hz} |
| Total Harmonic Distortion | THD | $f = 1kHz$, $R_L = 10k\Omega$, $V_{OUT} = 2V_{p-p}$ | MAX4465/MAX4467/ MAX4469 | | 0.02 | | % |
| | | | MAX4466/MAX4468 | | 0.03 | | |
| Capacitive Load Stability | C_{LOAD} | MAX4465/MAX4467/MAX4469, $A_V = +1$ | | | 100 | | pF |
| | | MAX4466/MAX4468, $A_V = +5$ | | | 100 | | |
| SHDN Delay Time | t_{SHDN} | (Note 2) | | | 1 | | μs |
| Enable Delay Time | t_{EN} | (Note 2) | | | 50 | | μs |
| Power-On Time | t_{ON} | (Note 2) | | | 40 | | μs |
| Bias Switch On-Resistance | R_S | $I_S = 5mA$ (Note 2) | | | 20 | 500 | Ω |

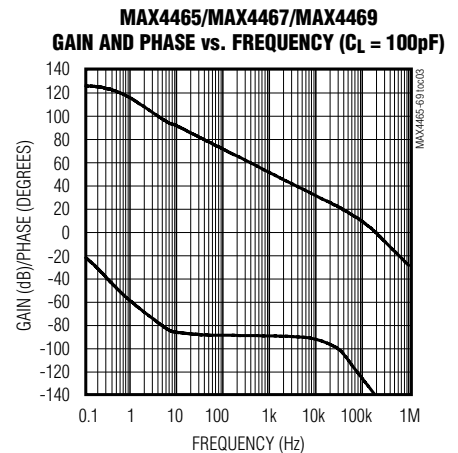
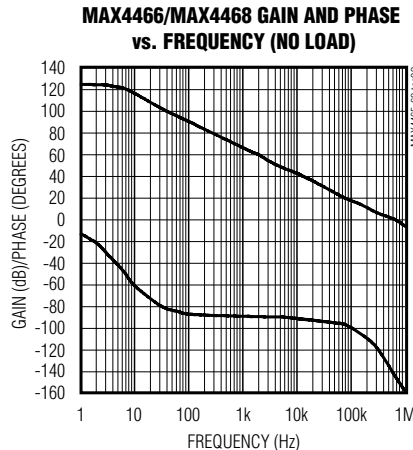
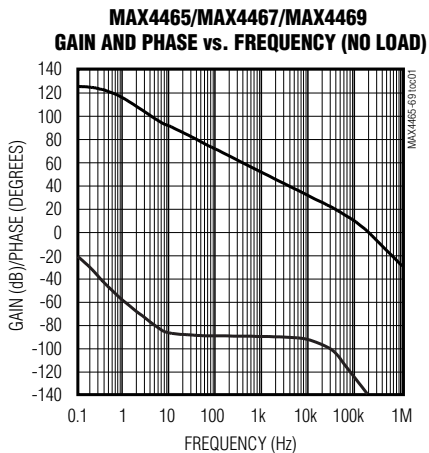
Note 1: All specifications are 100% production tested at $T_A = +25^\circ C$. All temperature limits are guaranteed by design.

Note 2: Shutdown mode is available only on the MAX4467/MAX4468.

Note 3: External feedback networks not considered.

Typical Operating Characteristics

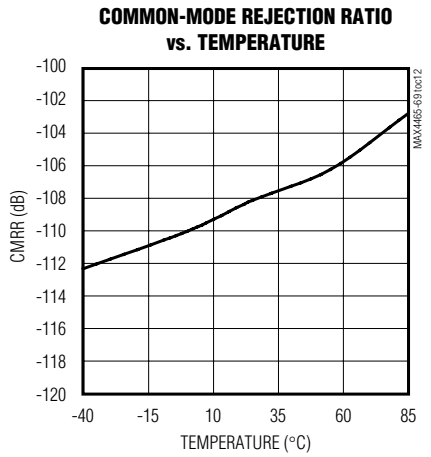
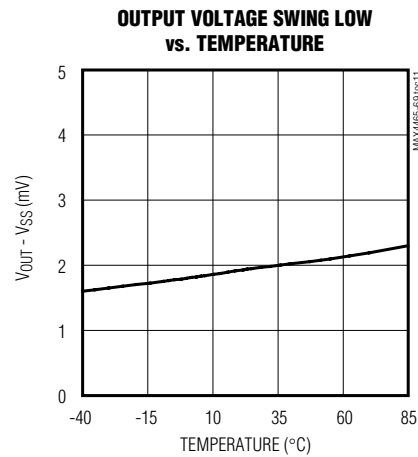
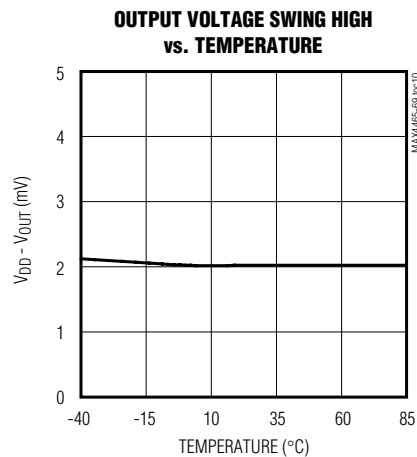
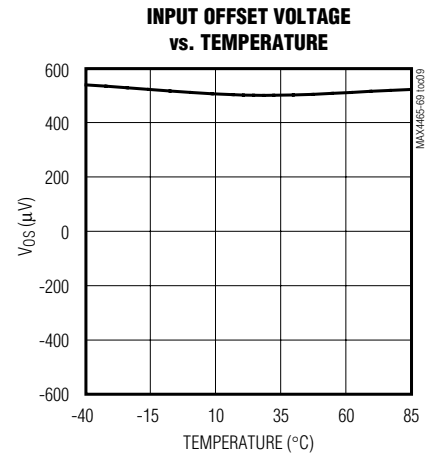
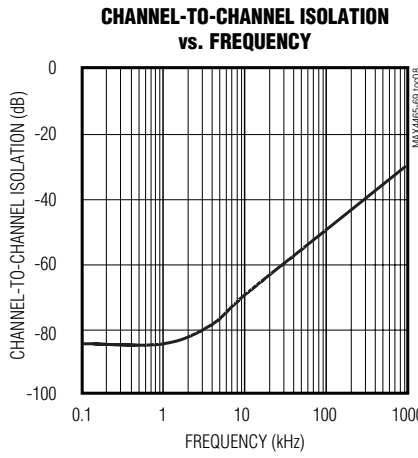
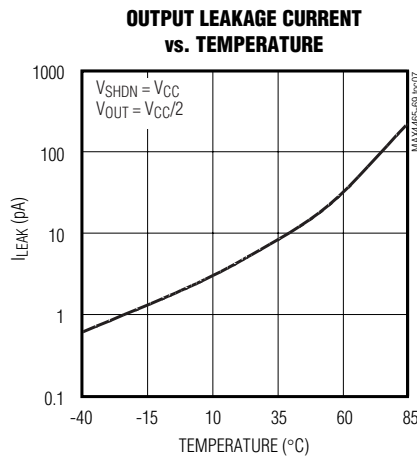
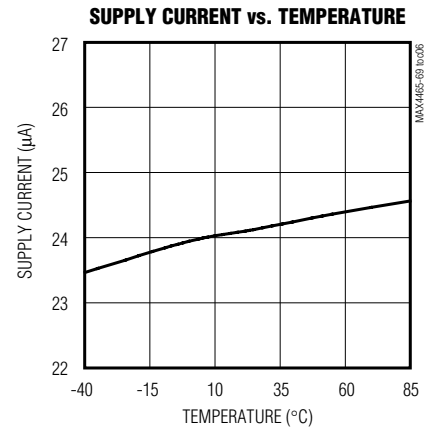
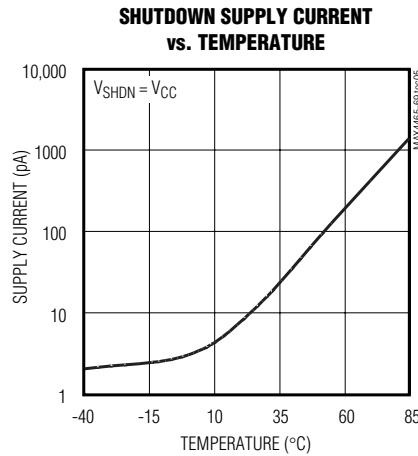
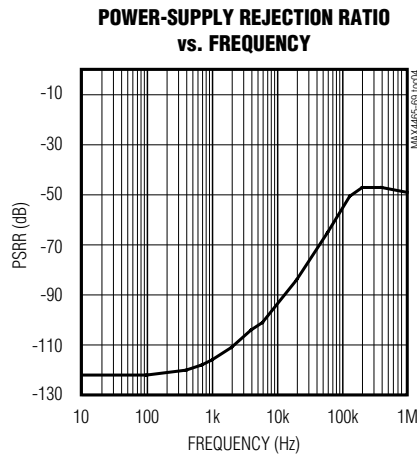
($V_{CC} = +5V$, $V_{CM} = 0$, $V_{OUT} = V_{CC}/2$, $R_L = 100k\Omega$ to $V_{CC}/2$, SHDN = GND (MAX4467/MAX4468 only), $T_A = +25^\circ C$, unless otherwise noted.)



Low-Cost, Micropower, SC70/SOT23-8, Microphone Preamplifiers with Complete Shutdown

Typical Operating Characteristics (continued)

($V_{CC} = +5V$, $V_{CM} = 0$, $V_{OUT} = V_{CC}/2$, $R_L = 100k\Omega$ to $V_{CC}/2$, SHDN = GND (MAX4467/MAX4468 only), $T_A = +25^\circ C$, unless otherwise noted.)

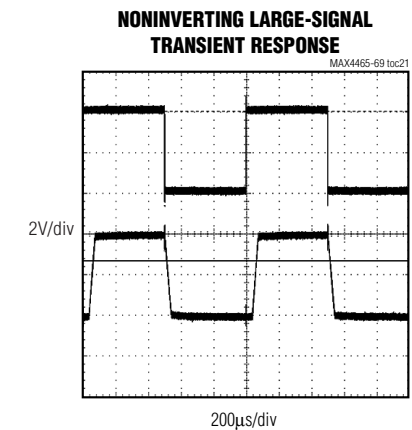
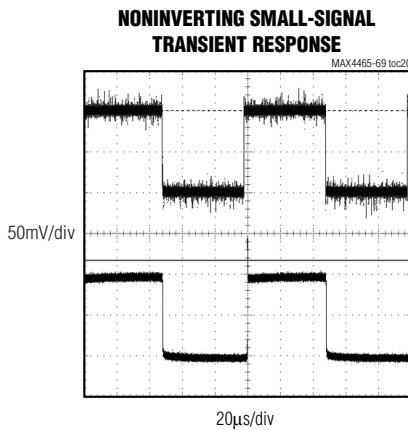
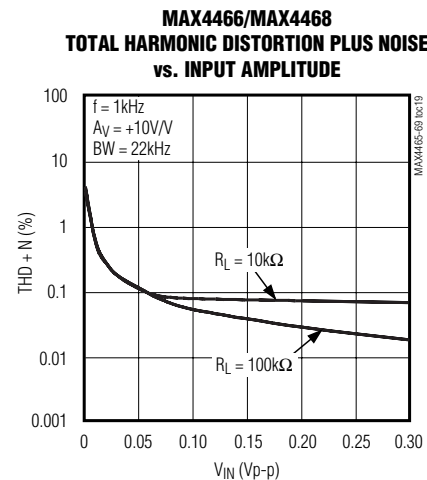
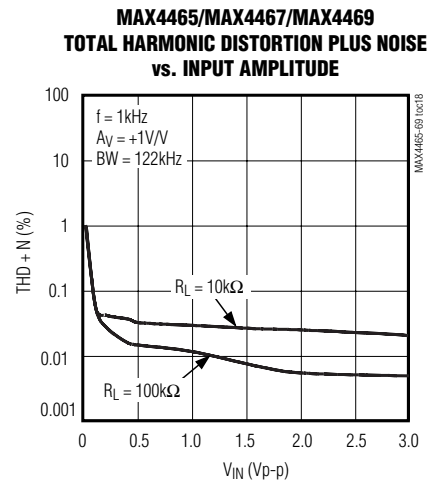
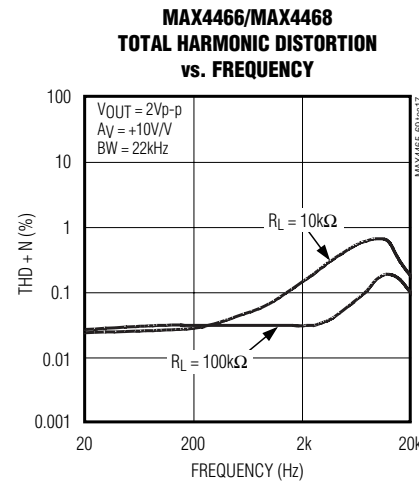
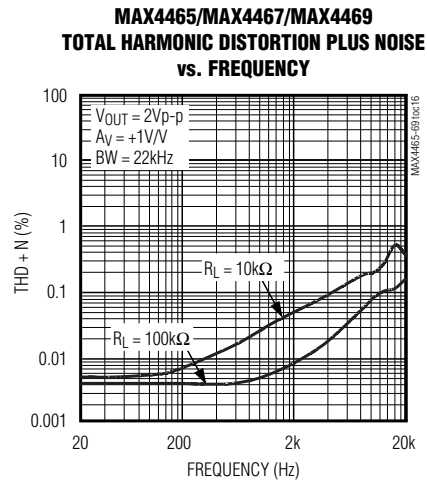
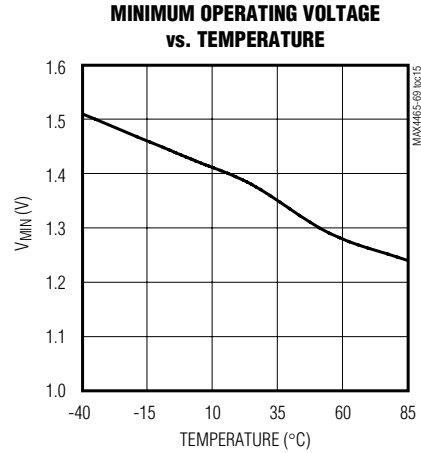
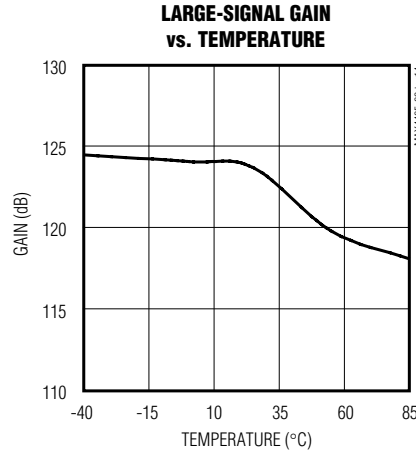
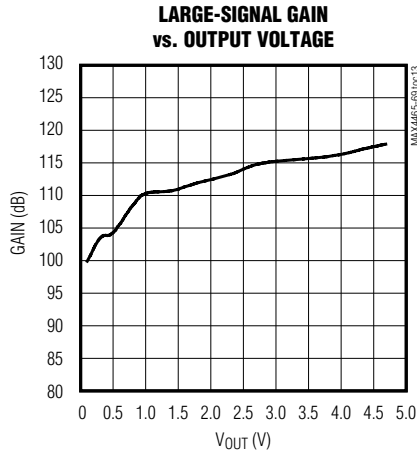


Low-Cost, Micropower, SC70/SOT23-8, Microphone Preamplifiers with Complete Shutdown

MAX4465-MAX4469

Typical Operating Characteristics (continued)

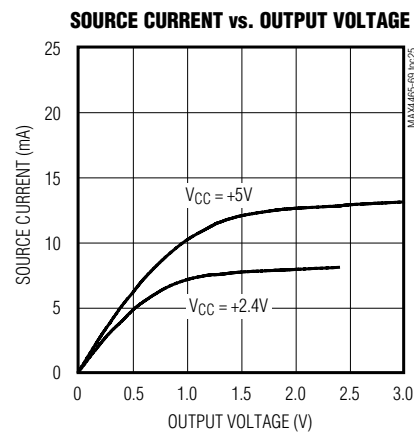
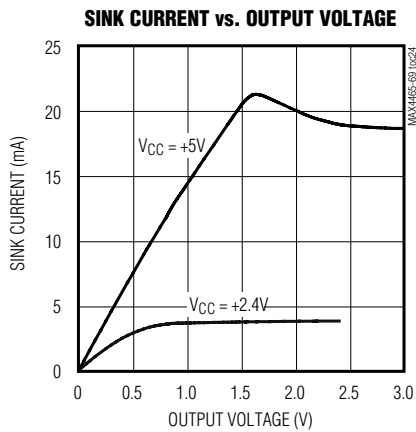
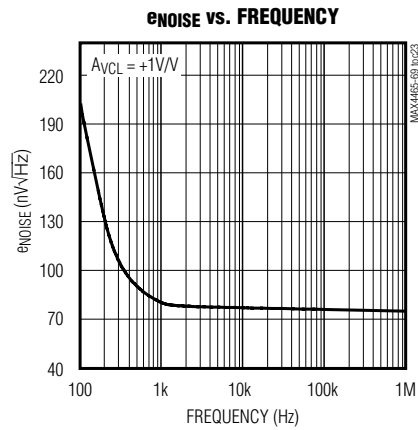
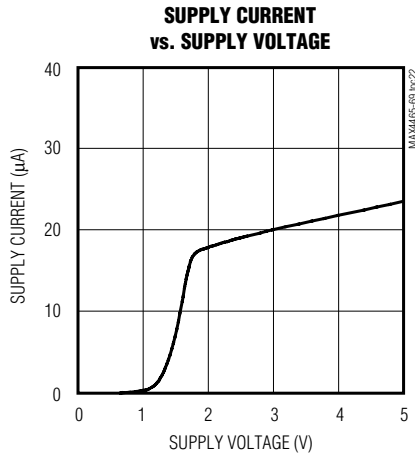
($V_{CC} = +5V$, $V_{CM} = 0$, $V_{OUT} = V_{CC}/2$, $R_L = 100k\Omega$ to $V_{CC}/2$, SHDN = GND (MAX4467/MAX4468 only), $T_A = +25^\circ C$, unless otherwise noted.)



Low-Cost, Micropower, SC70/SOT23-8, Microphone Preamplifiers with Complete Shutdown

Typical Operating Characteristics (continued)

($V_{CC} = +5V$, $V_{CM} = 0$, $V_{OUT} = V_{CC}/2$, $R_L = 100k\Omega$ to $V_{CC}/2$, $SHDN = GND$ (MAX4467/MAX4468 only), $T_A = +25^\circ C$, unless otherwise noted.)



Pin Description

| PIN | | | NAME | FUNCTION |
|--------------------|--------------------|---------|----------|--|
| MAX4465 MAX4466 | MAX4467 MAX4468 | MAX4469 | | |
| 4 | 6 (8) | — | OUT | Amplifier Output |
| — | — | 1 | OUTA | Amplifier Output A |
| — | 1 (4) | — | MIC_BIAS | External Microphone Bias Network Switch Output |
| 3 | 2 (3) | — | IN- | Inverting Amplifier Input |
| 1 | 3 (2) | — | IN+ | Noninverting Amplifier Input |
| 2 | 4 (1) | 4 | GND | Ground |

() denotes SOT23 package of the MAX4467/MAX4468

Low-Cost, Micropower, SC70/SOT23-8, Microphone Preamplifiers with Complete Shutdown

MAX4465-MAX4469

Pin Description (continued)

| PIN | | | NAME | FUNCTION |
|--------------------|--------------------|---------|-----------------|--|
| MAX4465 MAX4466 | MAX4467 MAX4468 | MAX4469 | | |
| 5 | 7 (7) | 8 | V _{CC} | Positive Supply. Bypass with a 0.1μF capacitor to GND. |
| — | — | 2 | INA- | Inverting Amplifier Input A |
| — | — | 3 | INA+ | Noninverting Amplifier Input A |
| — | — | 6 | INB- | Inverting Amplifier Input B |
| — | — | 5 | INB+ | Noninverting Amplifier Input B |
| — | — | 7 | OUTB | Amplifier Output B |
| — | 8 (6) | — | SHDN | Active-High Shutdown Input. Connect to GND for normal operation. Connect to V _{CC} for shutdown. Do not leave floating. |
| — | 5 (5) | — | N.C. | No Connection. Not internally connected. |

() denotes SOT23 package of the MAX4467/MAX4468.

Detailed Description

The MAX4465–MAX4469 are low-power, micropower op amps designed to be used as microphone preamplifiers. These preamplifiers are an excellent choice for noisy environments because of their high common-mode rejection and excellent power-supply rejection ratios. They operate from a single +2.4V to +5.5V supply.

The MAX4465/MAX4467/MAX4469 are unity-gain stable and deliver a 200kHz gain bandwidth from only 24μA of supply current. The MAX4466/MAX4468 have a minimum stable gain of +5V/V while providing a 600kHz gain bandwidth product.

The MAX4467/MAX4468 feature a complete shutdown, which is active-high, and a shutdown-controlled output providing bias to the microphone. The MAX4465/MAX4467/MAX4469 feature a slew rate suited to voice channel applications. The MAX4466/MAX4468 can be used for full-range audio, e.g., PC99 inputs.

Rail-to-Rail Output Stage

The MAX4465–MAX4469 can drive a 10kΩ load and still typically swing within 16mV of the supply rails. Figure 1 shows the output voltage swing of the MAX4465 configured with A_v = +10.

Switched Bias Supply

When used as a microphone amplifier for an electret microphone, some form of DC bias for the microphone is necessary. The MAX4467/MAX4468 have the ability to

turn off the bias to the microphone when the device is in shutdown. This can save several hundred microamps of supply current, which can be significant in low power applications. The MIC_BIAS pin provides a switched version of V_{CC} to the bias components. Figure 3 shows some typical values.

Driving Capacitive Loads

Driving a capacitive load can cause instability in many op amps, especially those with low quiescent current. The MAX4465/MAX4467/MAX4469 are unity-gain stable for a range of capacitive loads up to 100pF. Figure 4 shows the response of the MAX4465 with an excessive capacitive load.

Applications Information

Shutdown Mode

The MAX4467 and MAX4468 feature a low-power, complete shutdown mode. When SHDN goes high, the supply current drops to 5nA, the output enters a high impedance state and the bias current to the microphone is switched off. Pull SHDN low to enable the amplifier. Do not leave SHDN floating. Figure 5 shows the shutdown waveform.

Common-Mode Rejection Ratio

A microphone preamplifier ideally only amplifies the signal present on its input and converts it to a voltage appearing at the output. When used in noninverting mode, there is a small output voltage fluctuation when both inputs experience the same voltage change in the

Low-Cost, Micropower, SC70/SOT23-8, Microphone Preamplifiers with Complete Shutdown

common mode. The ratio of these voltages is called the common-mode gain. The common-mode rejection ratio is the ratio of differential-mode gain to common-mode gain. The high CMRR properties of the MAX4465-MAX4469 provide outstanding performances when configured as a noninverting microphone preamplifier.

Power-Up

The MAX4465-MAX4469 outputs typically settle within $1\mu\text{s}$ after power-up. Figure 6 shows the output voltage on power-up.

Power Supplies and Layout

The MAX4465-MAX4469 operate from a single $+2.4\text{V}$ to $+5.5\text{V}$ power supply. Bypass the power supply with a $0.1\mu\text{F}$ capacitor to ground. Good layout techniques are necessary for the MAX4465-MAX4469 family. To decrease stray capacitance, minimize trace lengths by placing external components close to the op amp's pins. Surface-mount components are recommended. In systems where analog and digital grounds are available, the MAX4465-MAX4469 should be connected to the analog ground.

Test Circuits/Timing Diagrams

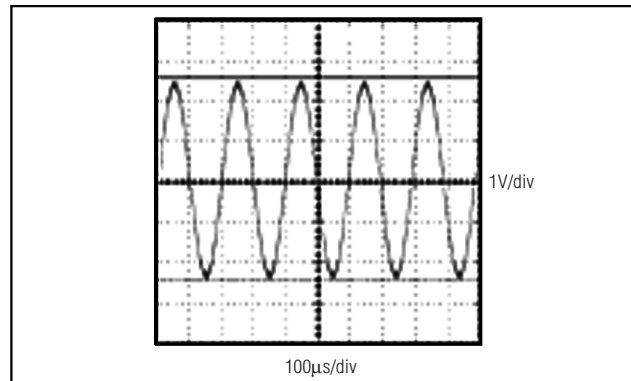


Figure 1. Rail-to-Rail Output Operation

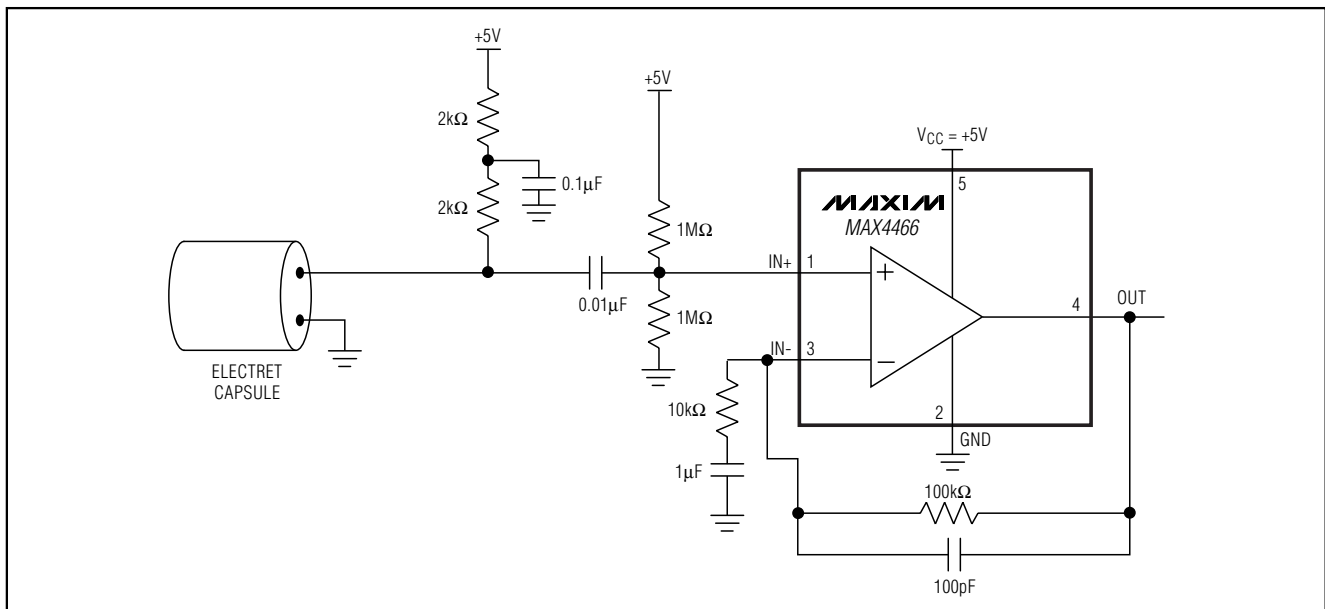


Figure 2. MAX4466 Typical Application Circuit

Low-Cost, Micropower, SC70/SOT23-8, Microphone Preamplifiers with Complete Shutdown

Test Circuits/Timing Diagrams (continued)

MAX4465-MAX4469

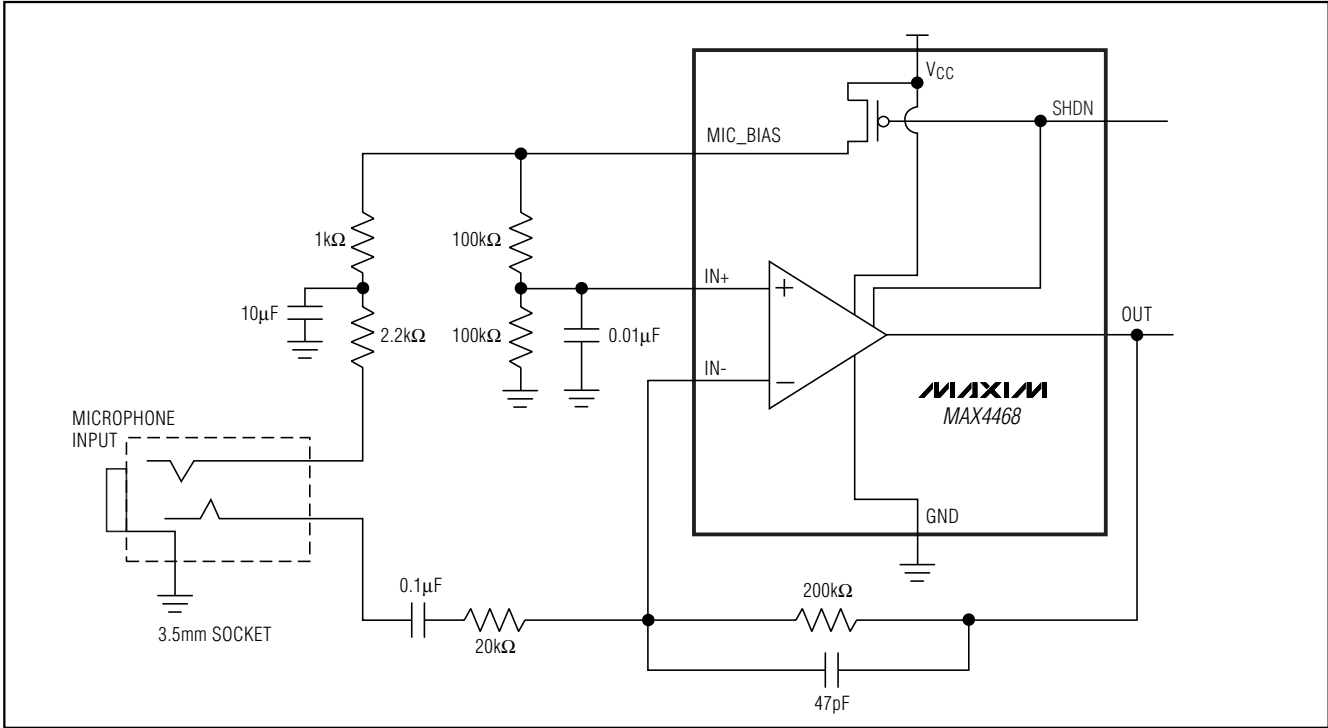


Figure 3. Bias Network Circuit

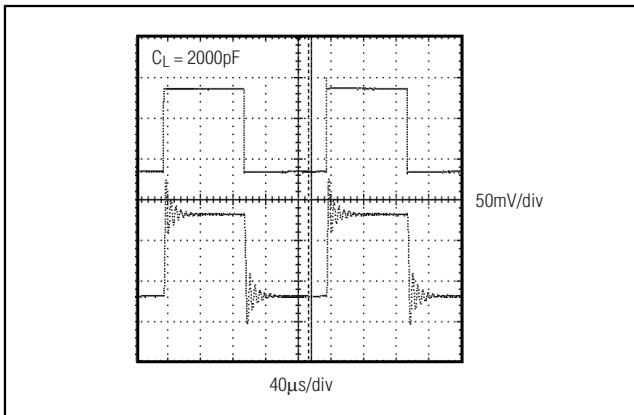


Figure 4. Small-Signal Transient Response with Excessive Capacitive Load

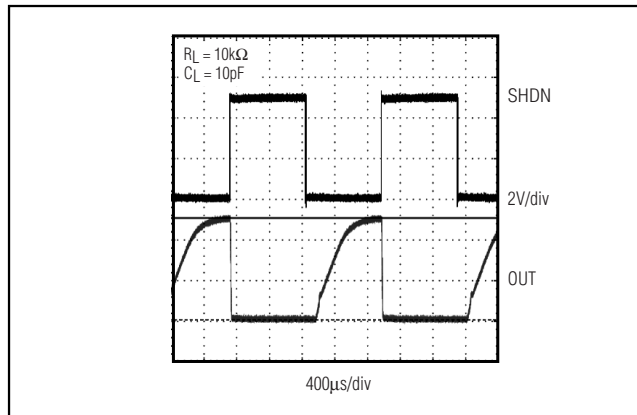


Figure 5. MAX4467/MAX4468 Shutdown Waveform

Low-Cost, Micropower, SC70/SOT23-8, Microphone Preamplifiers with Complete Shutdown

Test Circuits/Timing Diagrams (continued)

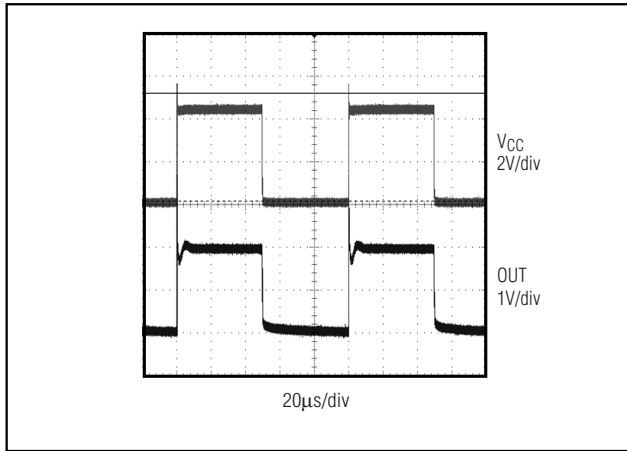


Figure 6. Power-Up/Power-Down Waveform

Chip Information

MAX4465/MAX4466 TRANSISTOR COUNT: 62

MAX4467/MAX4468 TRANSISTOR COUNT: 72

MAX4469 TRANSISTOR COUNT: 113

PROCESS: BiCMOS

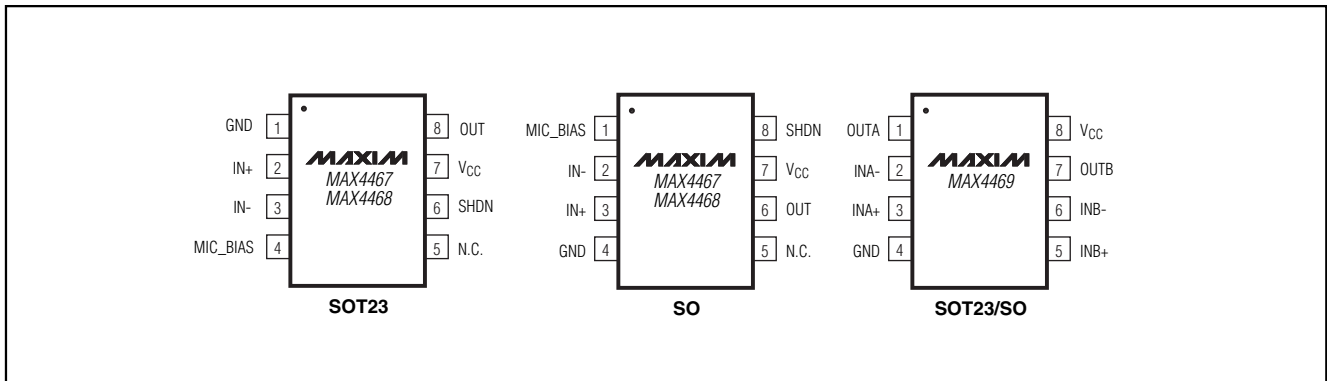
Ordering Information (continued)

| PART | TEMP. RANGE | PIN-PACKAGE |
|----------------------|----------------|-------------|
| MAX4467 EKA-T | -40°C to +85°C | 8 SOT23-8 |
| MAX4467ESA | -40°C to +85°C | 8 SO |
| MAX4468 EKA-T | -40°C to +85°C | 8 SOT23-8 |
| MAX4468ESA | -40°C to +85°C | 8 SO |
| MAX4469 EKA-T | -40°C to +85°C | 8 SOT23-8 |
| MAX4469ESA | -40°C to +85°C | 8 SO |

Selector Guide

| PART | MINIMUM STABLE GAIN | EXTERNAL MICROPHONE SHDN | GBWP (kHz) | PIN-PACKAGE |
|---------|---------------------|--------------------------|------------|----------------|
| MAX4465 | +1 | No | 200 | 5 SC70/5 SOT23 |
| MAX4466 | +5 | No | 600 | 5 SC70/5 SOT23 |
| MAX4467 | +1 | Yes | 200 | 8 SOT23/8 SO |
| MAX4468 | +5 | Yes | 600 | 8 SOT23/8 SO |
| MAX4469 | +1 | No | 200 | 8 SOT23/8 SO |

Pin Configurations (continued)



Low-Cost, Micropower, SC70/SOT23-8, Microphone Preamplifiers with Complete Shutdown

Package Information

MAX4465-MAX4469

SC70, 5LEPS

| SYMBOL | MIN | MAX |
|--------|-------|------|
| e | 0.65 | BSC |
| D | 1.80 | 2.20 |
| b | 0.15 | 0.30 |
| E | 1.15 | 1.35 |
| HE | 1.80 | 2.40 |
| Q1 | 0.10 | 0.40 |
| A2 | 0.80 | 1.00 |
| A1 | 0.00 | 0.10 |
| A | 0.80 | 1.10 |
| c | 0.10 | 0.18 |
| L | 0.10 | 0.30 |
| L1 | 0.425 | TYP. |

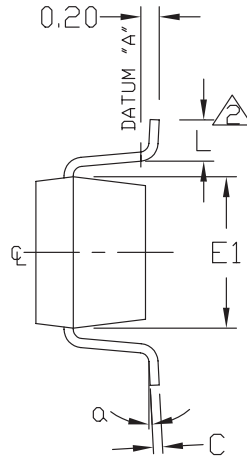
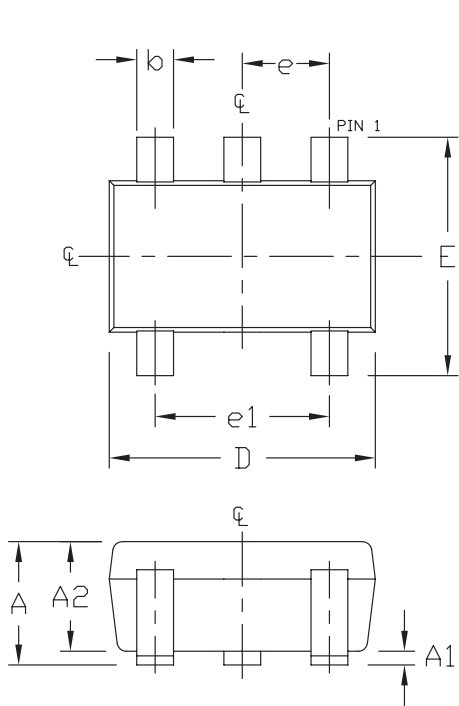
NOTE:

1. ALL DIMENSIONS ARE IN MILLIMETERS
2. DIMENSIONS ARE INCLUSIVE OF PLATING
3. DIMENSIONS ARE EXCLUSIVE OF MOLD FLASH & METAL BURR
4. ALL SPECIFICATIONS COMPLY TO EIAJ SC70
5. COPLANARITY 4 MILS. MAX.

| | | |
|-------------------------------------|---------------------------------|----------|
| MAXIM | | |
| PROPRIETARY INFORMATION | | |
| TITLE: PACKAGE OUTLINE, SC70, 5L | | |
| APPROVAL | DOCUMENT CONTROL NO. 21-0076 | REV B |
| | | 1/1 |

Low-Cost, Micropower, SC70/SOT23-8, Microphone Preamplicifiers with Complete Shutdown

Package Information (continued)



| SYMBOL | MIN | MAX |
|--------|------|------|
| A | 0.90 | 1.45 |
| A1 | 0.00 | 0.15 |
| A2 | 0.90 | 1.30 |
| b | 0.35 | 0.50 |
| C | 0.08 | 0.20 |
| D | 2.80 | 3.00 |
| E | 2.60 | 3.00 |
| E1 | 1.50 | 1.75 |
| L | 0.35 | 0.55 |
| e | 0.95 | REF |
| e1 | 1.90 | REF |
| α | 0° | 10° |

NOTES:

1. ALL DIMENSIONS ARE IN MILLIMETERS.
2. FOOT LENGTH MEASURED AT INTERCEPT POINT BETWEEN DATUM A & LEAD SURFACE.
3. PACKAGE OUTLINE EXCLUSIVE OF MOLD FLASH & METAL BURR.
4. PACKAGE OUTLINE INCLUSIVE OF SOLDER PLATING.
5. MEETS JEDEC MO178.

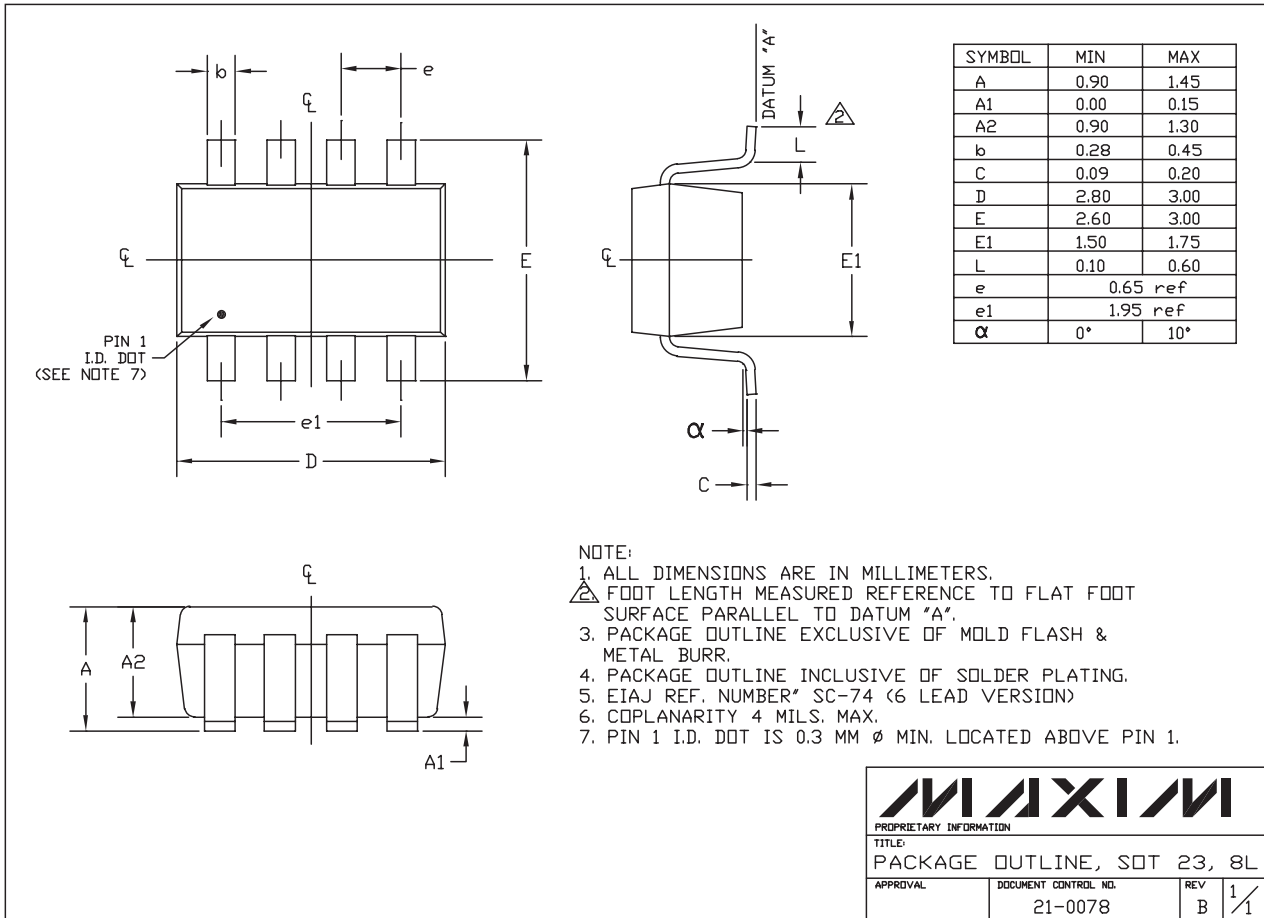
| | | | |
|--|-------------------------------------|--------------------|--------------------|
| MAXIM | | | |
| <small>PROPRIETARY INFORMATION</small> | | | |
| <small>TITLE:</small> | | | |
| PACKAGE OUTLINE, SOT-23, 5L | | | |
| <small>APPROVAL</small> | <small>DOCUMENT CONTROL NO.</small> | <small>REV</small> | <small>1/1</small> |
| | 21-0057 | C | |

SOT23-8

Low-Cost, Micropower, SC70/SOT23-8, Microphone Preamplifiers with Complete Shutdown

Package Information (continued)

MAX4465-MAX4469



SOT23-8L EFS

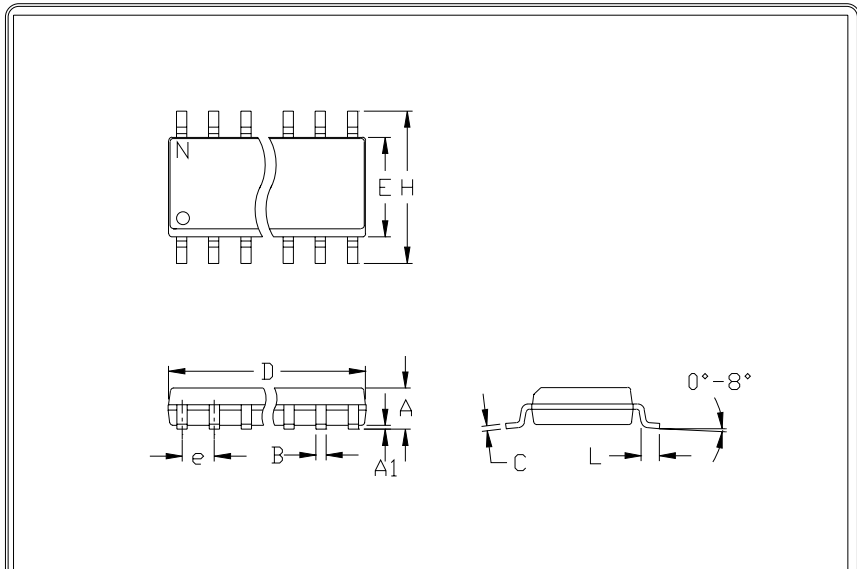
MAXIM
PROPRIETARY INFORMATION

TITLE:
PACKAGE OUTLINE, SOT 23, 8L

| | | | |
|----------|---------------------------------|----------|-----|
| APPROVAL | DOCUMENT CONTROL NO. 21-0078 | REV B | 1/1 |
|----------|---------------------------------|----------|-----|

Low-Cost, Micropower, SC70/SOT23-8, Microphone Preamplifiers with Complete Shutdown

Package Information (continued)



| | INCHES | | MILLIMETERS | |
|----|--------|-------|-------------|------|
| | MIN | MAX | MIN | MAX |
| A | 0.053 | 0.069 | 1.35 | 1.75 |
| A1 | 0.004 | 0.010 | 0.10 | 0.25 |
| B | 0.014 | 0.019 | 0.35 | 0.49 |
| C | 0.007 | 0.010 | 0.19 | 0.25 |
| e | 0.050 | | 1.27 | |
| E | 0.150 | 0.157 | 3.80 | 4.00 |
| H | 0.228 | 0.244 | 5.80 | 6.20 |
| h | 0.010 | 0.020 | 0.25 | 0.50 |
| L | 0.016 | 0.050 | 0.40 | 1.27 |

| | INCHES | | MILLIMETERS | | N | MS012 |
|---|--------|-------|-------------|-------|----|-------|
| | MIN | MAX | MIN | MAX | | |
| D | 0.189 | 0.197 | 4.80 | 5.00 | 8 | A |
| D | 0.337 | 0.344 | 8.55 | 8.75 | 14 | B |
| D | 0.386 | 0.394 | 9.80 | 10.00 | 16 | C |

- NOTES:
1. D&E DO NOT INCLUDE MOLD FLASH
 2. MOLD FLASH OR PROTRUSIONS NOT TO EXCEED .15mm (.006")
 3. LEADS TO BE COPLANAR WITHIN .102mm (.004")
 4. CONTROLLING DIMENSION: MILLIMETER
 5. MEETS JEDEC MS012-XX AS SHOWN IN ABOVE TABLE
 6. N = NUMBER OF PINS



PACKAGE FAMILY OUTLINE: SOT23 .150"



21-0041 A
DOCUMENT CONTROL NUMBER REV

Maxim cannot assume responsibility for use of any circuitry other than circuitry entirely embodied in a Maxim product. No circuit patent licenses are implied. Maxim reserves the right to change the circuitry and specifications without notice at any time.

14 _____ Maxim Integrated Products, 120 San Gabriel Drive, Sunnyvale, CA 94086 408-737-7600

This datasheet has been download from:

www.datasheetcatalog.com

Datasheets for electronics components.

Mouser Electronics

Authorized Distributor

Click to View Pricing, Inventory, Delivery & Lifecycle Information:

[Adafruit:](#)

[1063](#)