

Sealed Rocker Switch

Single (and Double)¹ Pole KS Series



Features

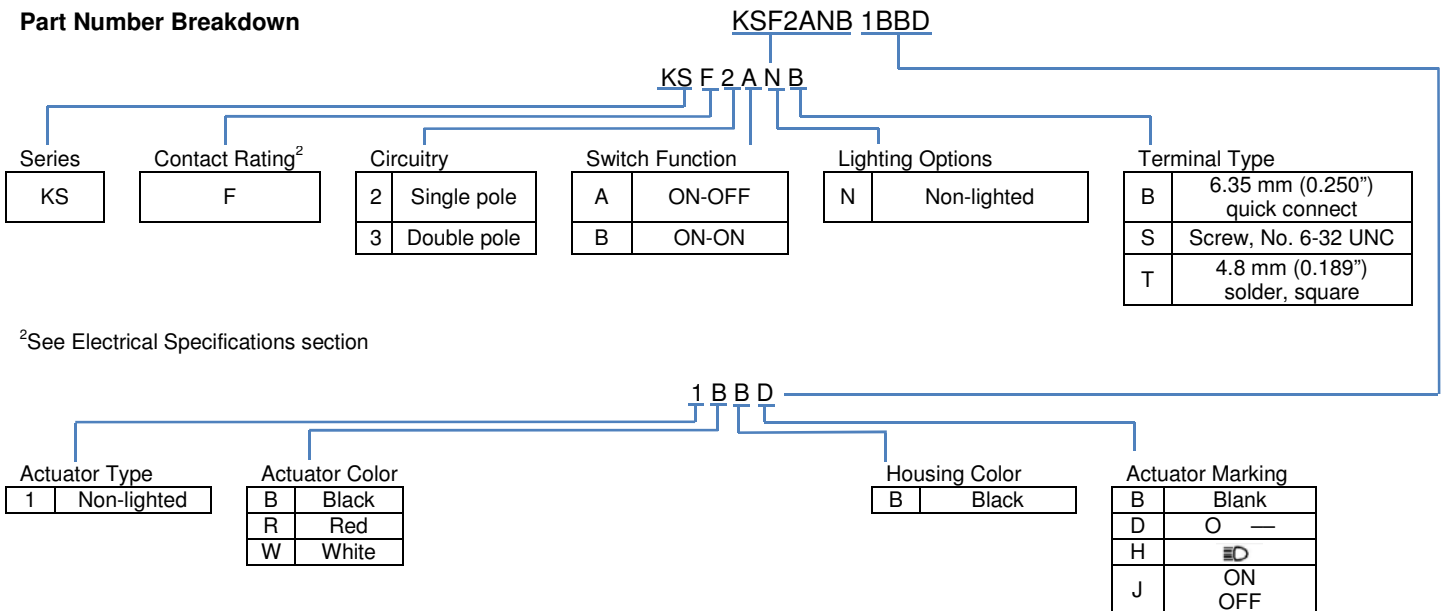
- Snap-in mounting
- RoHS compliant
- IP56
- 100,000 cycles mechanical life

Standard Parts¹

North America and Europe	
KSF2ANB1BBD	KSF2BNB1BBB

¹The part number configuration matrix below provides details to the part numbers above. For configurable part numbers that are not listed above, not listed in your region, or for custom part numbers, contact the factory or your distributor.

Part Number Breakdown



Electrical Specifications

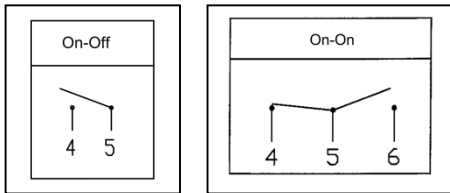
Dielectric Strength	1500 VAC for 1 minute	
Insulation Resistance	100 MΩ min at 500 VDC	
Initial Contact Resistance	0.050 Ω max	
Electrical Ratings	UL1054 16 A 125 VAC / 10 A 277 VAC ¾ HP 125/277 VAC	VDC ³ 21 A 14 VDC
Electrical Life at Rated Load Minimum Operations	UL 6,000	

³DC ratings not agency approved
UL File No: E23301

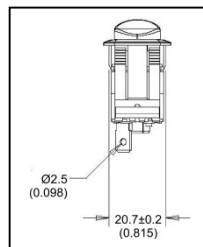
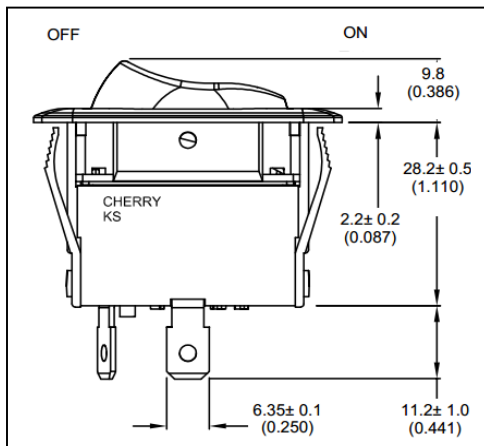
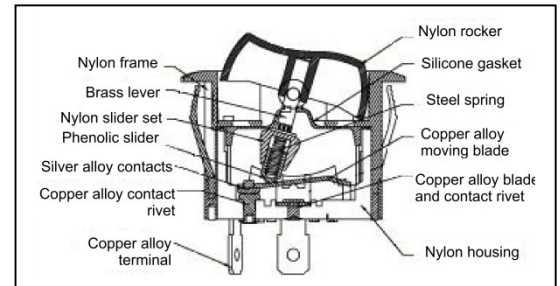
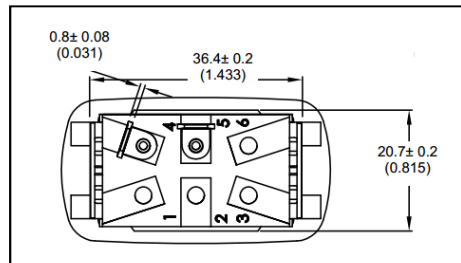
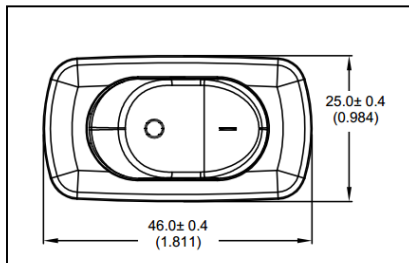
Material and Environmental Specifications

Actuator	Nylon 66 with Glass Fiber
Housing	Nylon 66 94 V-2
Bezel	Nylon 66 with Glass Fiber
Spring	Steel
Contacts	Silver Inlay Copper Alloy
Movable Arm	Silver-Plated Copper Alloy
Terminals	Silver-Plated Copper Alloy
Operating Temperature Range	-20 °C to +85 °C (-4 °F to +185 °F)
Ingress Protection	IP56

Circuitry and Switch Functions



Dimensions mm (inches)



Recommended Panel Cut-Out Dimensions

Panel thickness	Dimension Y	Dimension X
0.75 to 1.25 (0.030 to 0.049)	36.6+0.2 (1.441+0.004)	21.2+0.1 (0.835+0.004)
1.25 to 2.00 (0.049 to 0.079)	36.8+0.2 (1.449+0.004)	
2.00 to 3.00 (0.079 to 0.118)	37.0+0.2 (1.457+0.004)	

Mouser Electronics

Authorized Distributor

Click to View Pricing, Inventory, Delivery & Lifecycle Information:

CHERRY:

[KSF2BNB1BBB](#) [KSF2ANB1BBB](#)