

Features

- ◆ Highest power density in 5.0" x 3.0" footprint
- ◆ Supplies 200 W (convection cooling!)
- ◆ Highest efficiency up to 95%
- ◆ Operating temperature range -25°C to $+70^{\circ}\text{C}$
- ◆ Universal input 85 – 264 VAC
- ◆ Compliance with EN 61000-3-2
- ◆ Power Back immunity
- ◆ Low leakage current
- ◆ Protection class I and class II
- ◆ 3-year product warranty



The new TOP-200 Series AC/DC Power Supplies feature the highest power rating in the industry standard 3.0" x 5.0" (76.2 x 127 mm) footprint. They can supply up to 200 W output power with convection cooling over an industrial operating temperature range of -25°C to $+70^{\circ}\text{C}$. This performance could be realized by a state of the art design providing an extremely high efficiency of $>90\%$ which eliminates the need for a dedicated power supply cooling fan.

Compliance with global safety and EMC standards qualify these power supplies for worldwide markets. Approved for Class I and Class II applications, these switchers are suitable for industrial and IT systems but also for consumer products. High reliability is provided by use of industrial quality grade components and an excellent thermal management. This product offers an interesting power supply solution for many space and cost critical applications in commercial and industrial electronic equipment.

Models

Order Code	Output Power max.	Output Voltage (fixed)	Output Current max.
TOP 200-112	200 W	12 VDC	16 A
TOP 200-115		15 VDC	13 A
TOP 200-124		24 VDC	8.3 A
TOP 200-148		48 VDC	4.2 A

Input Specifications

Input voltage	- nominal - AC input range	120 – 240 VAC (universal input) 85 – 264 VAC with derating at low input see power derating graph 1
Input frequency		47 – 63 Hz
Input protection		T4A / 250 V
Harmonic limits		EN 61000-3-2, class A
Zero load power consumption		3.6 W
Input protection		T4 A internal fuses (line and neutral)
Recommended circuit breaker		6 A (characteristic C) or slow blow fuse. For protection class II use two fuses (line and neutral)

Output Specifications

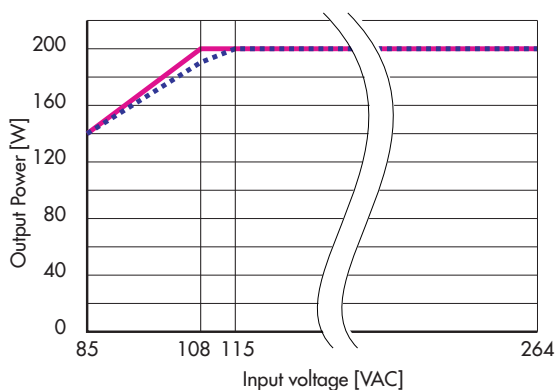
Voltage set accuracy	TOP 200-112: min. 11.9 V, max. 12.3 V TOP 200-115: min. 14.9 V, max. 15.3 V TOP 200-124: min. 23.8 V, max. 24.2 V TOP 200-148: min. 48.0 V, max. 49.3 V
Regulation	- Input and Load variation 1.0 % max.
Ripple and noise (20Mhz Bandwidth)	<120 mVp-p <150 mVp-p for 48 VDC models
Overvoltage protection	12 & 15 VDC models: >150 % of Vout 24 & 48 VDC models: >125 % of Vout
Power back immunity	12 VDC model: 16 V (18 V for 1 sec.) 15 VDC model: 20 V (23 V for 1 sec.) 24 VDC model: 35 V (40 V for 1 sec.) 48 VDC model: 63 V (68 V for 1 sec.)
Overload protection by current limit	at 120 – 150 % Iout max.
Short circuit protection	foldback (automatic recovery)
Capacitive load	12 & 15 VDC models: 15'000 µF max. 24 VDC model: 4'000 µF max. 48 VDC model: 1'000 µF max.

General Specifications

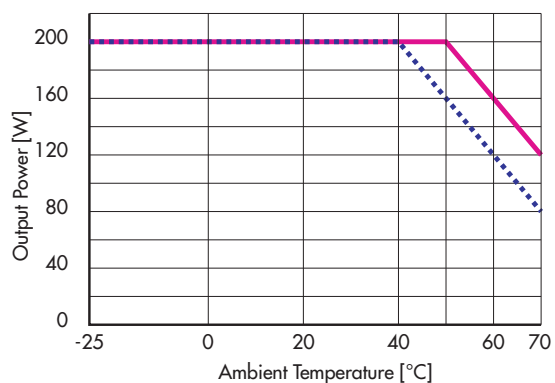
Operating temperature	- derating	-25°C to +70°C (convection cooling) see power derating graph 2
-----------------------	------------	---

Power derating

Graph 1:
In respect to input voltage



Graph 2:
in respect to ambient temperature



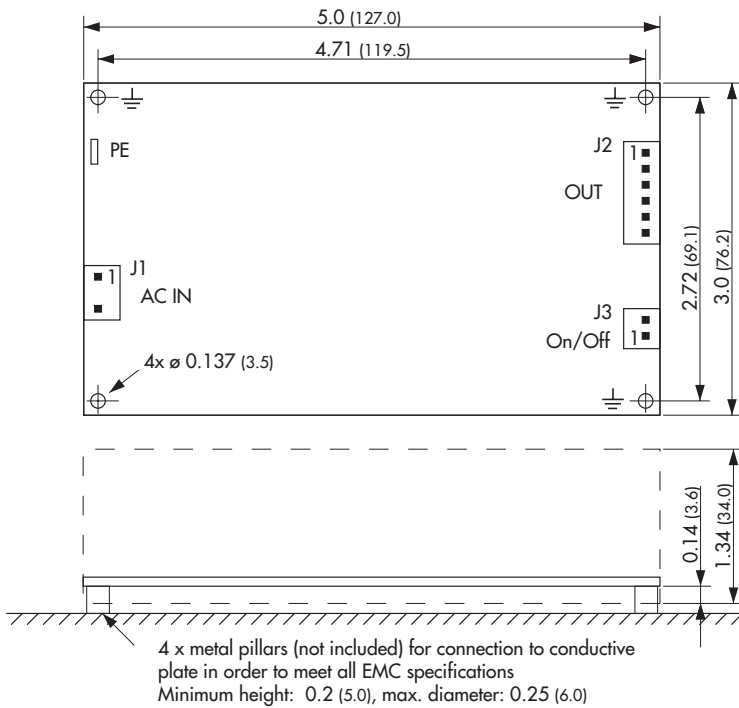
..... 12 & 15 VDC models — 24 & 48 VDC models

General Specifications

Humidity (non condensing)		0 – 95 % rel. H max.
Efficiency	– Vin = 115 VAC	12 & 15 VDC models: 88 – 91 %
		24 & 48 VDC models: 90 – 93 %
	– Vin = 230 VAC	12 & 15 VDC models: 90 – 93 %
		24 & 48 VDC models: 92 – 95 %
Switching frequency		100 kHz typ. (pulse width modulation)
Hold-up time		10 ms typ.
Start-up time	– Vin = 115 VAC	<3.0s
	– Vin = 230 VAC	<2.0s
Remote On/Off	– On:	open contacts on J3
	– Off:	see J3 remote On/Off function on last page
Isolation voltage	– Input / Output	3000 VAC
	– Input / Field Ground	1500 VAC
	– Output / Field Ground	500 VAC
Isolation resistance (at 500 VDC)		100 Mohm min.
Earth leakage current		500 µA max.
Reliability, calculated MTBF at +25°C acc. to IEC 61709		www.tracopower.com/products/top200-mtbf.pdf
Safety class (for built in use only)		class I, class II prepared with second fuse
Electromagnetic compatibility (EMC), emissions	– Conducted input RI suppression	EN 55022, class B (conductive plane to be connected to field ground)
	– Harmonic current emissions	IEC/EN 61000-3-2, class A
Electromagnets compatibility (EMC), immunity	– RF field immunity	IEC/EN 61000-4-3, 20V/m criteria A
	– Electrical fast transients/burst immunity	IEC/EN 61000-4-4, ±2kV criteria B
	– Surge	IEC/EN 61000-4-5, ±1kV/±2kV criteria B
	– Conducted RF	IEC/EN 61000-4-6, 10V criteria A
	– Magnetic field	IEC/EN 61000-4-8, 100A/m criteria A
	– Voltage dip	IEC/EN 61000-4-11
	– Voltage Sag immunity	Semi F47-0706
Safety approvals and Certification		UL 60950-1, 2nd Ed + AM1
	www.tracopower.com/products/top200-certification.zip	CSA 60950-1-07-2nd Ed IEC 60950-1:2005 (2nd Edition) EN 60950-1:2006 + Am 1:2010 + Am 11:2009 + Am 12:2011
Environment	– Vibration acc. IEC 60068-2-6;	3 axis, sine sweep, 10 – 55Hz, 0.075 mm
	– Shock acc. IEC 60068-2-27	3 axis, 15g half sine, 11ms
Environmental compliance	– Reach	www.tracopower.com/overview/top200
	– RoHS	RoHS directive 2011/65/EU
Connection		pin connector (Molex)
Weight		315 g (8.93 oz)

All specifications valid at nominal input voltage, full load and +25°C after warm-up time unless otherwise stated.

Dimensions



J1: Molex Series 41791
mates with Molex crimp terminal: 08-52-0072
and terminal housing: 09-50-3031

J2: Molex Series 41791
mates with Molex crimp terminal: 08-52-0072
and terminal housing: 09-50-3061

J3: Molex Series KK
mates with Molex crimp terminal: 08-50-0032
and terminal housing: 22-01-2025

PE: Faston
mates with TAB-6.3 (1/4")

Dimensions in Inch, () = mm

PE to connect to protective earth if used as safety class I unit

J1	
Pin	Input
1	AC in L
2	AC in N

J2	
Pin	Output
1	+ Vout
2	+ Vout
3	+ Vout
4	- Vout
5	- Vout
6	- Vout

J3	
Pin	Remote
1	-
2	+

J3 remote On/Off function:

On: pin 1 & 2 open

Off:

- Pin 1 connected to secondary ground.

Note: Output voltage may pulse to 20% of nominal output voltage.

- External current source of 10 mA

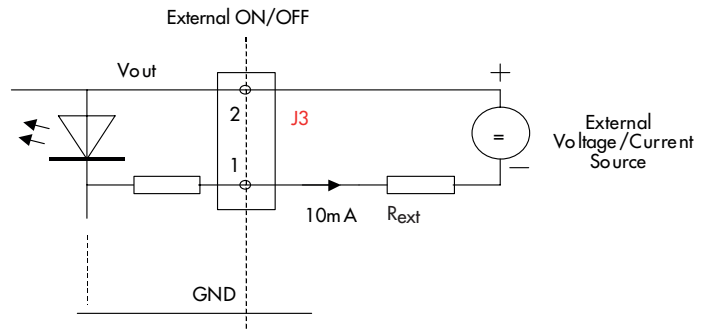
- External voltage source. Use external serial resistor ($R_{ext.}$) in reference to applied voltage ($U_{ext.}$) as follows:

TOP 200-112: $R_{ext.} [Ohm] = (U_{ext.} - 1.2)/0.01 - 150$

TOP 200-115: $R_{ext.} [Ohm] = (U_{ext.} - 1.2)/0.01 - 240$

TOP 200-124: $R_{ext.} [Ohm] = (U_{ext.} - 1.2)/0.01 - 430$

TOP 200-148: $R_{ext.} [Ohm] = (U_{ext.} - 1.2)/0.01 - 800$



Specifications can be changed without notice! Make sure you are using the latest documentation, downloadable at www.tracopower.com

Mouser Electronics

Authorized Distributor

Click to View Pricing, Inventory, Delivery & Lifecycle Information:

[TRACO Power:](#)

[TOP 200-124](#) [TOP 200-148](#) [TOP 200-112](#) [TOP 200-115](#) [TOP 200-112C](#) [TOP 200-148C](#) [TOP 200-124C](#) [TOP 200-115C](#)