

# Vehicle Docking PWS-770 Vehicle Docking Station



## Features

- Implements GPS module inside
- Locking mechanism for theft deterrence
- One second to remove; one second to install
- Ignition control
- Complement port replication
- Vibration can meet military standard, MIL-STD-810G & SAE J1455
- E-mark Compliance

## Introduction

The PWS-770 high strength composite vehicle docking is designed to hold PWS-770 tablet with safety, security, and efficiency in mind. The docking station comes with a locking mechanism for theft deterrence. It offers complete port replication for users accessing audio jacks, USB, RS-232/RS-485, and LAN ports. One of the most important and unique design features is it implements a GPS module to enhance GPS positioning, locating, and tracking ability.

## Product Specifications

Function	Item	Description
RF	GPS	U-blox 6 GPS module
	HDC	1 x HDC connector
IO connectors	HDC cable IO ports enhancement (optional)	1 RS-232, 1x RS-485, 1 x Line-in & 1 x Line-out, 2 x DI & 2 x DO
	USB	2 x USB 2.0 (locking type)
	Ethernet	1 x 100/1000 LAN port (M12)
	SMA for GPS	1 for external GPS Antenna
	DC in	1 x Power Jack (M12) 18.5V ± 5%
Environment	IP Rating	IP43
	Operating Temperature	-10 ~ 50° C (Charge: 0 ~ 40° C) with tablet
	Storage Temperature	-40 ~ 85° C
	Vibration/Shock	MIL-STD-810G, Method 514.5; SAE J1455
	EMC	CE, FCC
	Safety	UL, CB
	Vehicle-related	E-mark
Mounting	Mounting Way	VESA (75 x 75 mm)
Weight		804g
Dimension		204.98 x 276.99 x 85.8 mm

## Ordering Information

Part Number	Description
PWS-770-VCRADLE00E	PWS-770 Vehicle docking, with LAN Cable M12(M) cable 8P/ RJ45(F) (50mm)
PWS-770-CADAP00E	PWS-770 Car Adapter DC to DC 10-32V 90W W/O PFC (1200mm) to Cigar Lighter; M12 Plug
PWS-770-CAD1200E	PWS-770 Car Adapter DC to DC 10-32V 90W with 12V Relay (1200mm); M12 Plug
PWS-770-CAD2400E	PWS-770 Car Adapter DC to DC 10-32V 90W with 24V Relay (1200mm); M12 Plug
1700021797-01	M cable M12 5P/DC jack (10cm) to PWS-770
PWS-770-CHDC00E	PWS-770 Vehicle docking HDC Cable 36P/D-sub*2+ Line in x1 & Line Out x2 + DI x2 & DO x2 (2000mm)
PWS-770-GPSAN00E	GPS antenna N12G0002 5.5V 22mA (5m)
RAM-MOUNT-06E	5.625" double socket arm for 1.5" ball base, 3.625" VESA base at both sockets
RAM-MOUNT-07E	5.625" double socket arm for 1.5" ball base, One side is 3.625" VESA base, on the other side, the socket with flat 2.5" diameter base AMPS hole pattern

Note: PWS-770 Vehicle docking package include LAN Cable for (M12) RJ45 connector. The car adapter is optional.

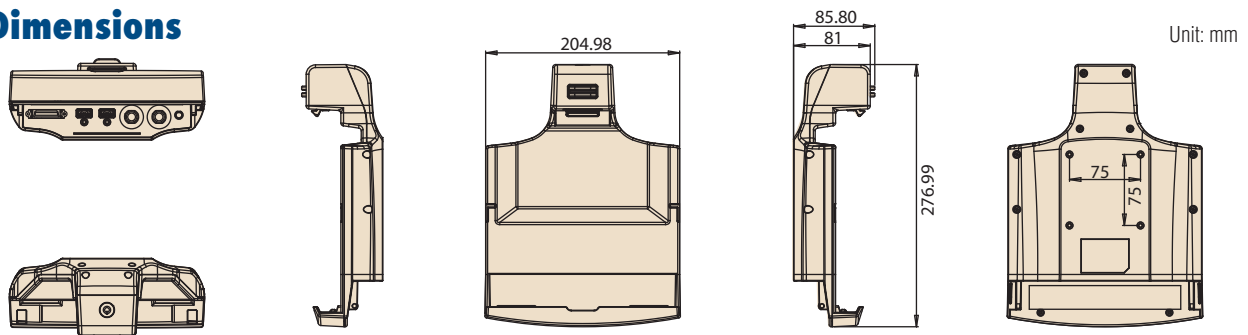
Do not attempt to connect Car adapter M12 plug to PWS-770 tablet DC-in

## Vehicle docking Bottom view IO ports



1. HDC x1: RS232 x1; RS485 x1; Dlx2; DOx2; Line-in x1; Line-out x1
2. USB 2.0 x2
3. LAN 100/1000 (M12) x1
4. DC-in 19V (M12) x1
5. GPS SMA x1

## Dimensions



Note: In order to prevent the damage to both PWS-770 and the Vehicle docking station, please do not attempt to use with other tablets (For example: the previous model, S10A).

# Mouser Electronics

Authorized Distributor

Click to View Pricing, Inventory, Delivery & Lifecycle Information:

[Advantech:](#)

[PWS-770-CHDC00E](#) [PWS-770-CAD1200E](#) [PWS-770-CADAP00E](#) [PWS-770-CAD2400E](#) [PWS-770-GPSAN00E](#)