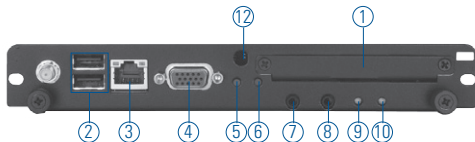


OPS860-HM

Socket G2 Intel® Core™ i5/i3 Open Pluggable Specification (OPS) Digital Signage Player with Intel® HM65



- | | |
|------------------|-----------------------------|
| 1. 2.5" HDD Slot | 7. Audio (Line-out) |
| 2. USB 2.0 x 2 | 8. Audio (Mic-in) |
| 3. Ethernet | 9. Power indicator |
| 4. VGA | 10. HDD indicator |
| 5. Power switch | 11. JAE TX-25 |
| 6. Reset | 12. WiFi antenna (optional) |



Specifications

Main System	CPU	Socket G2 (rPGA988B) 2nd generation Intel® Core™ i5/i3 processor
	Chipset	Intel® HM65
	System Memory	1 x DDR3-1333 SO-DIMM max. up to 4 GB
	Storage	1 x 2.5" SATA HDD tray
	BIOS	AMI UEFI BIOS with OA 3.0 built
	Watchdog Timer	255 levels, 1 ~ 255 sec.
	IO	2 x USB 2.0
1 x 10/100/1000Mbps Ethernet		
1 x VGA		
1 x power on/off button		
1 x reset button		
1 x Audio (Line-out/ Mic-in)		
1 x DVI/HDMI (via OPS JAE interconnector)		
1 x DisplayPort (via OPS JAE interconnector) (Pure DP)		
3 x USB 2.0 (via OPS JAE interconnector)		
1 x Audio (Line-out, via OPS JAE interconnector)		
1 x UART (TX/RX via OPS JAE interconnector)		
Indicator	1 x LED for system power ON	
	1 x LED for HDD active	
WiFi	Supports 802.11 b/g/n (optional)	
Expansion Slot	1 x PCI Express Mini Card	
Dimensions	200 mm (7.87") (W) x 119 mm (4.68") x 30 mm (1.18")	
Packing Dimensions	270 mm (10.63") (W) x 197 mm (7.76") x 70 mm (2.76")	
Weight (net/gross)	1 kg (2.2 lb)/1.5 kg (3.3 lb)	
Environmental	0°C ~ +45°C (+32°F ~ +113°F) (with airflow 1.2m/s)	

Packing

- 1 x driver CD
- 1 x HDD mylar x 1
- 1 x thermal grease (syringe 1G)
- 2 x M3 x 4 screw
- 2 x M4 x 6 screw

Features

- Open Pluggable Specification (OPS) compliance
- Supports socket G2 (rPGA988B) 2nd generation Intel® Core™ i5/i3 processor
- Intel® HM65 chipset
- DDR3-1333 SO-DIMM max. up to 4 GB
- PCIe Mini Card supported
- Easy maintenance: pluggable HDD and easy-to-change DRAM
- VGA connector



▲ Rear view

Optional EOS Installation

Windows® 7 Embedded

Optional OS Installation

Windows® XP, Windows® 7

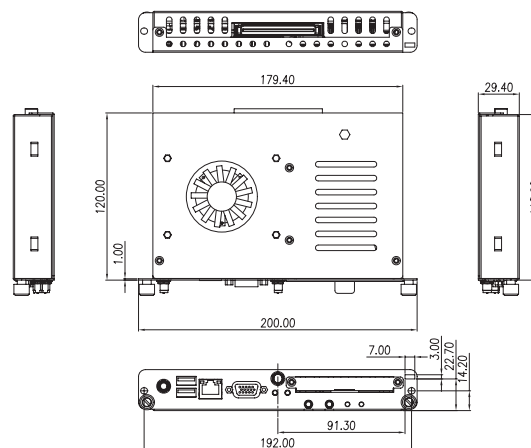
Ordering Information

Standard	
OPS860-HM	OPS digital signage player supports socket G2 2nd generation Intel® Core™ processor
(P/N: E22M860101)	

Optional	
AX93157	OPS docking board

* Specification and certifications are based on options and may vary.

Dimensions



Mouser Electronics

Authorized Distributor

Click to View Pricing, Inventory, Delivery & Lifecycle Information:

[Axiomtek:](#)

[OPS860-HM/NPS](#) [OPS860-HM-RC-NP](#)